

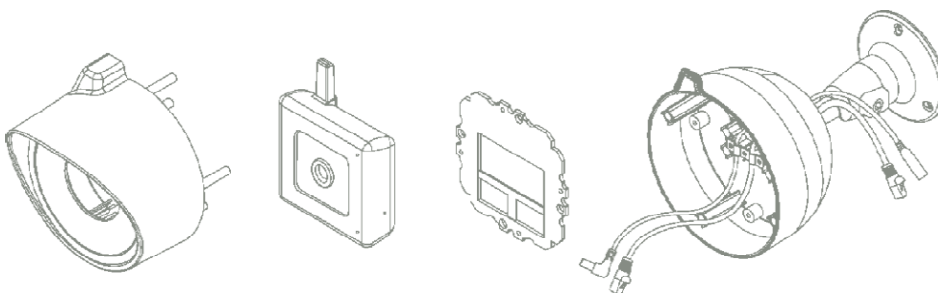
Y-cam Shell (preliminary brochure)



Universal Outdoor Enclosure for Y-cam Wireless IP Cameras

The Y-cam Shell enables the Y-cam White, Black or Knight to be mounted outside. It is built from carefully specified materials to minimize wireless signal attenuation. The mounting bracket is universal allowing the camera to be orientated in the desired direction and is semi-cable managed allows the power and, if necessary, the Ethernet cable to be routed to the camera.

- Fully Weather proof
- Made from high quality anti-UV rays **ABS Material**
- Ability to connect Wirelessly even through the housing



Package Contents

Y-cam Shell External Enclosure

A x 3 Stainless Steel Screws for Wall Mount Brackets

B x 3 Wall plug for Wall Mount Bracket screws

C x 4 Screw for Camera Holding Plate(Internal)

D x 4 Rubbers Plugs

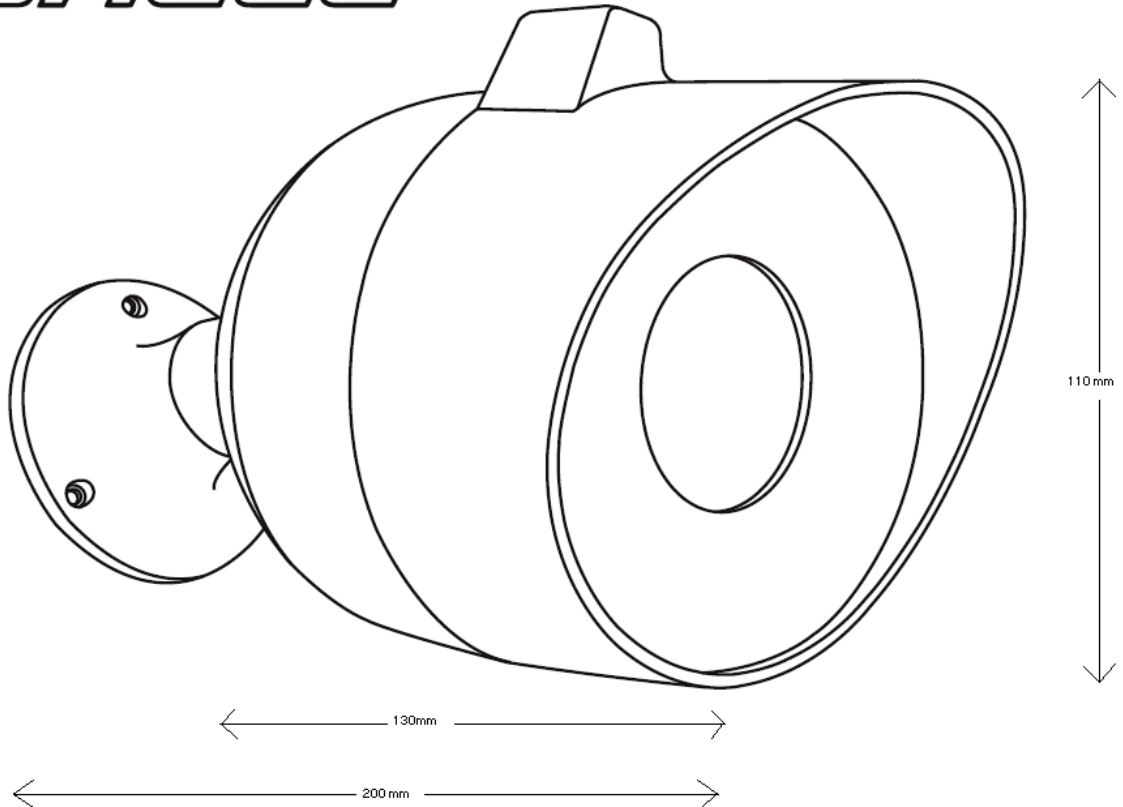
E x 1 Hex Key

General

Net Weight: 600 gm (without Camera)

Dimensions:

Y-CAM[®] SHELL



www.y-cam.com



www.use-ip.co.uk
01304 827609

Y-CAM[®]