

## GV-FE420/GV-FE421 4M H.264 Fisheye IP Camera

### GV-FE421



### GV-FE420



### Introduction

The GV-FE420 / GV-FE421 is a fisheye camera that allows you to monitor all angles of a location using just one camera. The distorted hemispherical image of the fisheye camera will be converted into the conventional rectilinear projection.

Without installing any software, you can watch live view and utilize functions such as motion detection, privacy mask, and alert notification through the Web interface using an IE browser. In addition, the GV-FE420 / GV-FE421 seamlessly integrates with the GV-System, providing advanced monitoring and video management features.

The GV-Fisheye IP Camera is designed to be mounted on the ceiling, wall or ground. There are two ways to mount the GV-FE420 / GV-FE421 on the ceiling, Hard Ceiling Mount and In-Ceiling Mount. In-Ceiling Mount allows the GV-FE420 / GV-FE421 to be mounted into the ceiling, revealing a small portion of the camera.

### Key Features

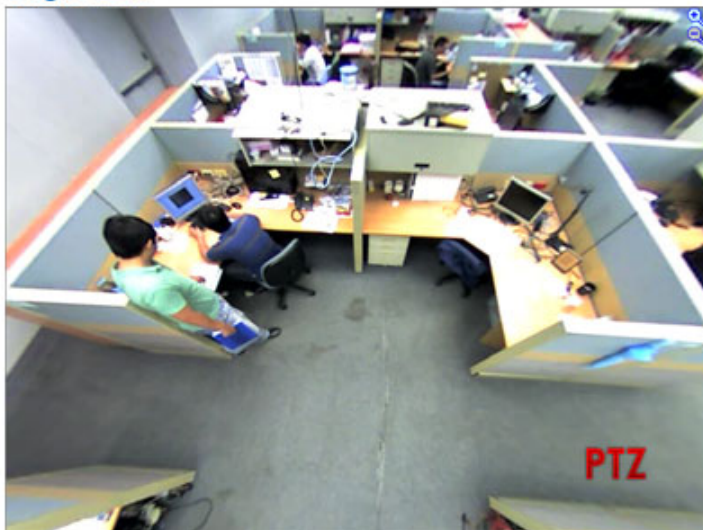
- 4M progressive scan CMOS
- H.264 and MJPEG
- Day / Night function
- Provides 360 and 180 degrees panorama view
- No mechanical moving parts
- Built-in Web server for monitoring through IE browser
- Virtual PTZ function
- Auto Pan function
- Different angle of view accessible by multiple users at the same time
- Playback from any view angle and zoom level
- Privacy mask

- Visual automation
- Tampering alarm
- Built-in microphone and speaker
- One sensor input and alarm output
- DC 12V / AC 24V / PoE
- Micro SD
- 16 languages on web interface

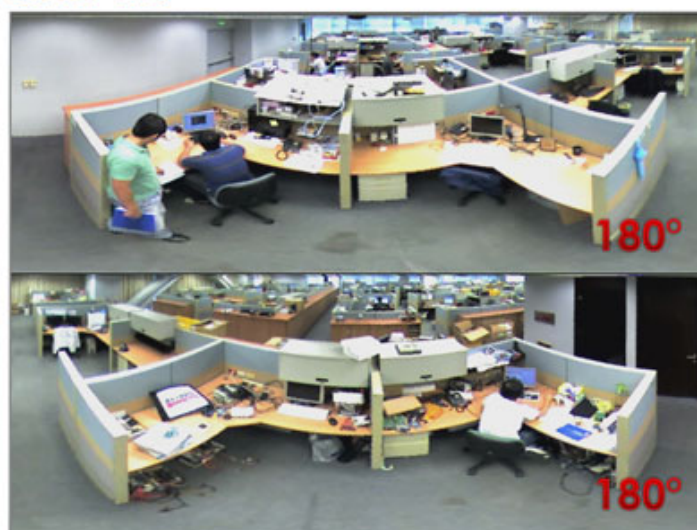
Fisheye Source Image



Single View



2 x 180° View

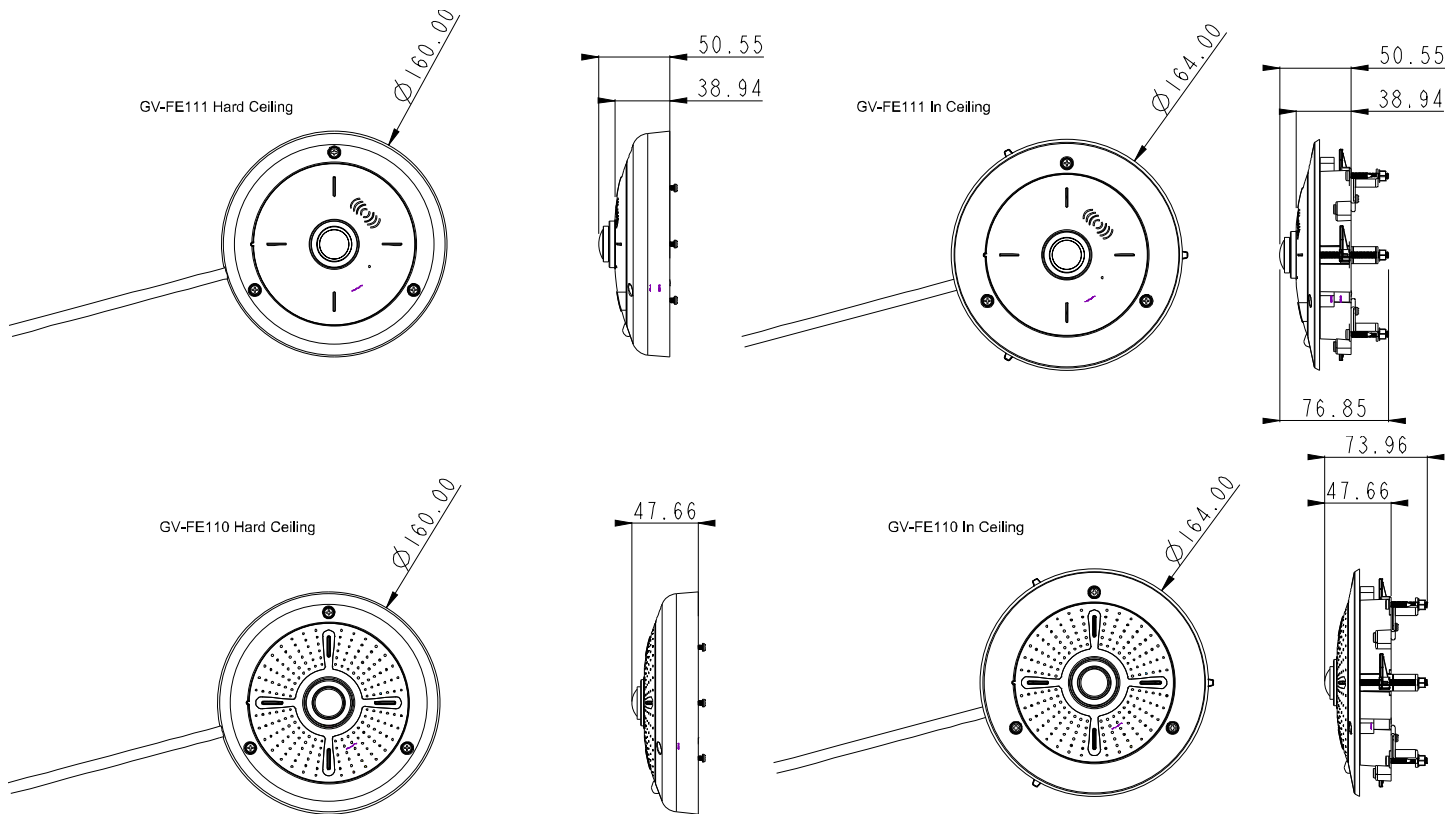


360° View



Quad View



**SPECIFICATIONS**


| Camera               |  |       |
|----------------------|--|-------|
| Image Sensor         | 1/2.5" progressive scan CMOS   |       |
| Picture Elements     | 2048 (H) x 1944 (V)  |       |
| Minimum Illumination | 4 Lux (1/30 sec), 2 Lux (1/5 sec)  |       |
| Shutter Speed        | Automatic, Manual (1/5 - 1/8000 sec)   |       |
| White Balance        | Automatic, Manual (2800K~8500K)  |       |
| Optics Lens          |  |       |
| Megapixel            | Yes  |       |
| Day / Night Support  | Yes  |       |
| Iris                 | Fixed Iris   |       |
| Focal Length         | 1.27 mm  |       |
| Aperture             | F/2.8  |       |
| Mount                | M12, Pitch 0.5 mm  |       |
| Image Format         | 1/2"   |       |
| Angle of View        | Diagonal   | 180°  |
|                      | Horizontal   | 180°  |
|                      | Vertical   | 180°  |
| Operation            | Focus  | None  |
|                      | Zoom   | None  |
|                      | Iris   | Fixed |
| Operation            |  |       |
| Video Codec          | H.264, MJPEG   |       |
| Video Resolution     | 2048 x 1944  |       |
| Frame Rate           | 15 fps   |       |
| Image Setting        | Brightness, Contrast, Sharpness, Gamma, White Balance, Flicker-less, Image Orientation |       |
| Audio Codec          | G.711  |       |
| Digital Input        | 1 Input (Dry Contact)  |       |
| Digital Output       | 1 output   |       |
| Network              |  |       |
| Interface            | 10/100 Ethernet  |       |
| Ethernet Protocol    | HTTP, HTTPS, TCP, UDP, SMTP, FTP, DHCP, NTP, UPnP, DynDNS, RTSP, PSIA, SNMP            |       |

| Mechanical |               |   |
|------------|---------------|---|
|            | Power         | Terminal block (3 pin )                   |
|            | Ethernet      | Ethernet (10/100 Base-T), RJ-45 Connector |
|            | Audio         | Built-in microphone and speaker           |
| Connectors | Digital I/O   | I/O Wire                                  |
|            | Auto Iris     | None                                      |
|            | Local Storage | Micro SD/SDHC memory card slot            |
|            | TV-Out        | None                                      |

| General               |                                     |
|-----------------------|-------------------------------------|
| Operating Temperature | 0 °C ~ 50 °C / 32 °F ~ 122 °F       |
| Humidity              | 10% to 90% (no condensation)        |
| Power Source          | 12V DC / 24V AC / PoE (IEEE802.3af) |
| Power Consumption     | 7.2 W (max. 600mA at 12V DC)        |
| Regulatory            | CE, FCC, C-Tick, RoHS compliant     |
| Dimension (L X W X H) | ∅ 160 x 47.66 mm / 6.29 x 1.83 in   |
| Weight                | 650 g / 1.43 lb                     |

| Power over Ethernet   |   |
|-----------------------|---|
| PoE Standard          | IEEE 802.3af Power over Ethernet / PSE  |
| PoE Power Supply Type | End-Span                                |
| PoE Power Output      | Per Port 48V DC, 350mA. Max. 15.4 watts |

| Web Interface           |   |
|-------------------------|---|
| Installation Management | Web-based configuration   |
| Maintenance             | Firmware upgrade through Web Browser  |
| Access from Web Browser | Camera live view, video recording, change video quality, bandwidth control, image snapshot, digital I/O control, audio, Picture in Picture, Picture and Picture, Privacy Mask, Visual Automation, Tampering Alarm, Auto Pan function, virtual PTZ |
| Language                | Czech / Danish / English / French / German / Hebrew / Hungarian / Italian / Japanese / Polish / Portuguese / Russian / Serbian / Simplified Chinese / Spanish / Traditional Chinese   |

| Applications       |   |
|--------------------|---|
| Network Storage    | GV-NVR, GV-System                       |
| Live Viewing       | IE                                      |
| CMS Server support | GV-Control Center, GV-Center V2, GV-VSM |

**Note:**

1. Specifications are subject to change without notice.
2. Wall mount and ground mount are not supported in all firmware versions.