

Installation Guide

**Avigilon Panoramic High Definition IP Dome
Camera Model:**
8.0MP-HD-DOME-360

Important Safety Information

This manual provides installation and operation information and precautions for the use of this dome camera. Incorrect installation could cause an unexpected fault. Before installing this equipment read this manual carefully. Please provide this manual to the owner of the equipment for future use.



The Warning symbol indicates the presence of dangerous voltage within and outside the product enclosure that may constitute a risk of electric shock, serious injury or death to persons if proper precautions are not followed.



The Caution symbol alerts the user to the presence of hazards that may cause minor or moderate injury to persons, damage to property or damage to the product itself if proper precautions are not followed.



Warning — Failure to observe the following instructions may result in severe injury or death.

-
- Do not use near water or expose to dripping or splashing. Do not place objects filled with liquids above the device.
 - Do not expose to rain or moisture.
 - For indoor use only.
If used outdoors, an approved outdoor mounting adapter or enclosure is required. Consult with Avigilon for more information.
 - Installation must be performed by qualified personnel only, and must conform to all local codes.
 - This product is intended to be supplied by a UL Listed Power Unit marked “Class 2” or “LPS” or “Limited Power Source” with output rated 12 VDC or 24 VAC, 7 W min. or Power over Ethernet (PoE), rated 48 VDC, 7 W min.

- Any external power supply connected to this product may only be connected to another Avigilon product of the same model series. External power connections must be properly insulated.
- Do not connect directly to mains power for any reason.



Caution — Failure to observe the following instructions may result in injury or damage to the dome camera.

- Do not install near any heat sources such as radiators, heat registers, stoves, or other sources of heat.
- Do not subject the cables to excessive stress, heavy loads or pinching.
- Do not open or disassemble the device. There are no user serviceable parts.
- Refer all servicing to qualified personnel. Servicing may be required when the device has been damaged (such as from a liquid spill or fallen objects), has been exposed to rain or moisture, does not operate normally, or has been dropped.
- Do not use strong or abrasive detergents when cleaning the device body.
- Use only accessories recommended by Avigilon.
- Avoid leaving the image sensor exposed for extended periods of time. Always cover the image sensor with either a lens or a dust cap.
- Do not allow dust, moisture or any other foreign debris to enter the lens mount.
- Never touch any glass elements inside the lens mount.
- Do not point the lens directly at the sun or other extremely bright objects or damage to the image sensor may occur.
- Use of controls or adjustments or performance of procedures other than those specified in this document may result in hazardous radiation exposure.

Regulator Notices

This device complies with part 15 of the FCC Rules. Operation is subject to the following two conditions: (1) This device may not cause harmful interference, and (2) this device must accept any interference received, including interference that may cause undesired operation.

This product complies with IEC 60825-1 (A2:2001) - CLASS 1 LED PRODUCT. Maximum radiated output power: 740 mW.

This Class A digital apparatus complies with Canadian ICES-003.

FCC Notice

This equipment has been tested and found to comply with the limits for a Class A digital device, pursuant to part 15 of the FCC Rules. These limits are designed to provide reasonable protection against harmful interference when the equipment is operated in a commercial environment. This equipment generates, uses, and can radiate radio frequency energy and, if not installed and used in accordance with the instruction manual, may cause harmful interference to radio communications. Operation of this equipment in a residential area is likely to cause harmful interference in which case the user will be required to correct the interference at his own expense.

Changes or modifications made to this equipment not expressly approved by Avigilon Corporation or parties authorized by Avigilon Corporation could void the user's authority to operate this equipment.

Disposal and Recycling Information

When this product has reached the end of its useful life, please dispose of it according to your local environmental laws and guidelines.

European Union:

This symbol means that according to local laws and regulations your product should be disposed of separately from household waste. When this product reaches its end of life, take it to a collection point designated by local authorities. Some collection points accept products for free. The separate collection and recycling of your product at the time of disposal will help conserve natural resources and ensure that it is recycled in a manner that protects human health and the environment.

Other Notices

Compilation and Publication Notice

This manual has been compiled and published covering the latest product descriptions and specifications. The contents of this manual and the specifications of this product are subject to change without notice. Avigilon reserves the right to make changes without notice in the specifications and materials contained herein and shall not be responsible for any damages (including consequential) caused by reliance on the materials presented, including but not limited to typographical and other errors relating to the publication.

Intellectual Property Notice

No license is granted by implication or otherwise under any industrial design, industrial design rights, patent, patent rights, or copyrights of Avigilon Corporation or its licensors. Trademarks and registered trademarks are the property of their respective owners.

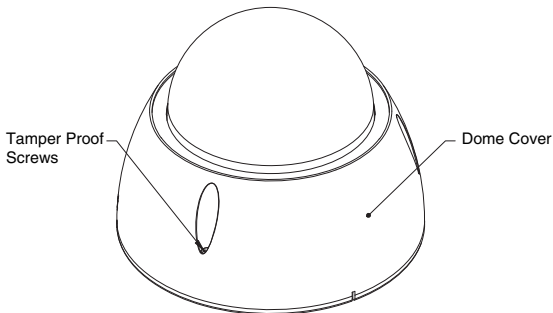
Portions of the software in this product are licensed under the eCos License. Distribution of eCos requires that the eCos source code be made available to Avigilon customers. The eCos License and eCos source code are available to the public at <http://www.avigilon.com/ecoslicense>. Avigilon reserves all rights to all software not covered under the eCos license. This includes all portions of software that were not distributed to Avigilon as part of the eCos operating system.

Table of Contents

Overview	1
Cover View	1
Bottom View	2
Front View	3
Rear View	4
Heater View	5
Installation	6
Required Tools and Materials	6
Package Contents	6
Installation Steps	6
Removing the Dome Cover	6
Mounting the Dome Camera	7
Connecting Power	8
Aiming the Dome Camera	9
Connecting to the Network Video Recorder	9
IP Address Selection	10
Advanced Features	11
Upgrading the Firmware	11
Connecting to External Devices	12
Connecting to Microphones and Speakers	13
Installing Replacement Dome Bubble	13
Cleaning	14
Body	14
Specifications	15
Limited Warranty & Technical Support	16

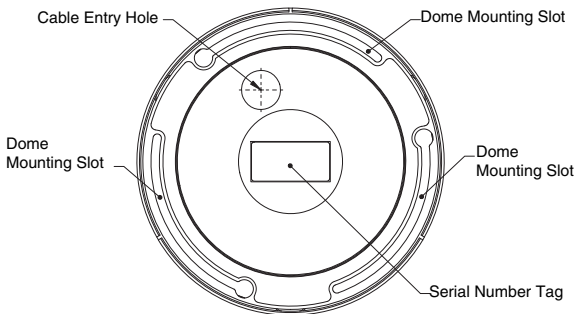
Overview

Cover View



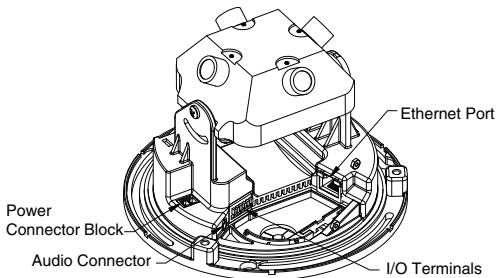
Feature	Description
Dome Cover	Vandal proof dome cover constructed out of aluminum with a polycarbonate bubble.
Tamper Proof Screws	TORX tamper-resistant captive screws to fix the dome cover to the base.

Bottom View



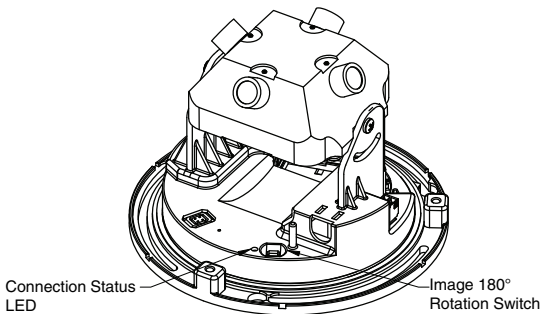
Feature	Description
Cable Entry Hole	An entry hole for network, power and I/O cables.
Dome Mounting Slot	Mounting points for the dome camera.
Serial Number Tag	Product serial number and part number label.

Front View



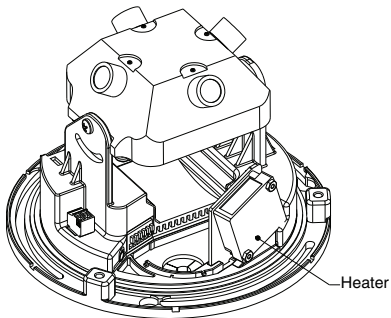
Feature	Description
Ethernet Port	<p>Accepts an Ethernet connection to a network. Server communication and image data transmission occurs over this connection. Also receives power when it is connected to a network that provides Power over Ethernet.</p> <p>The Ethernet Port has two status lights indicating link (left) and activity (right).</p>
Power Connector Block	<p>Accepts a terminal block with either AC or DC power connection. DC input can be either polarity. Only required when Power over Ethernet is not available.</p>
Audio Connector	<p>Accepts a 3.5 mm input from an external microphone (microphone is not included). See the section about connecting microphones for more information.</p>
I/O Terminals	<p>Provides connections to external input/output devices. See the section about connecting external devices for more information.</p>

Rear View



Feature	Description
Connection Status LED	<p>Provides information about the network connection. See the section about connecting to the network video recorder for more information.</p> <p>The Connection Status LED can be turned off for operating in covert installations. See the <i>Avigilon Control Center Client User Guide</i> for more information.</p>
Image Rotation Switch	Rotates the image by a 180° angle.

Heater View



Feature	Description
Heater	Provides heat for the camera to extend the operating temperature range. The heater is not included with all models.

Installation

Required Tools and Materials

- Small slotted screwdriver with 5/64" or 2 mm blade width — for connecting power when not using Power over Ethernet.

Package Contents

Ensure the package contains the following:

- Avigilon Panoramic High Definition IP Dome Camera
- Terminal block
- T20 TORX tamper resistant key
- 3 screws and anchors for solid walls
- Drill template

Installation Steps

Complete the following procedures to install the dome camera.

1. *Removing the Dome Cover* on page 6.
2. *Mounting the Dome Camera* on page 7.
3. *Connecting Power* on page 8.
4. *Aiming the Dome Camera* on page 9
5. *Connecting to the Network Video Recorder* on page 9

Removing the Dome Cover

Remove the dome cover by loosening the 3 tamper-proof screws that fix the cover to the base. The tamper resistant key included with the dome camera can be used to loosen the screws.

NOTE: Be careful not to scratch the dome bubble.

Mounting the Dome Camera

The dome camera can be mounted to a surface on its own or using one of the four dome camera mounting accessories: indoor electrical box mounting plate, indoor in-ceiling mount, indoor/outdoor mounting base, and indoor/outdoor pendant mount.

To mount the dome camera, complete the following steps:

1. Using the drill template, drill three mounting holes and one cable entry hole in the ceiling/ wall. If using a dome camera mounting accessory, this step is not necessary.
2. Drive three screws into mounting holes and leave 6 mm ($\frac{1}{4}$ ") between the screw head and the ceiling/wall surface.
3. Pull the cables through the cable entry hole in the ceiling/ wall and the cable entry hole in the dome camera.
4. Place the dome base on the screws using the keyed mounting slots and rotate it clockwise.
5. Tighten the screws to hold the dome camera in place.



Warning — Only use UL listed mounting brackets suitable for the mounting surface and can sustain a minimum 0.53 kg (1.2 lbs), plus the weight of the attached lens.



Caution — This camera is designed for indoor use only.

For outdoor use, an outdoor mounting accessory is required.

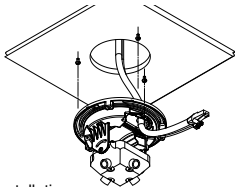


Figure: Dome camera installation.

Connecting Power

NOTE: Do not perform this procedure if Power over Ethernet (POE) is used.

If PoE is not available, the dome camera needs to be powered through the removable power connector block. Refer to the diagrams in this guide for the location of the power connector block.

The device can be powered from 12 VDC or 24 VAC. The power consumption information is listed in the product specifications.

To connect power to the power connector block, complete the following steps:

1. Remove the power connector block from the device.
2. Remove the insulation from $\frac{1}{4}$ " (6 mm) of the power wires. Do not nick or damage the wires.
3. Insert the two power wires into the two terminals on the power connector block. The connection can be made with either polarity.
Use a small slotted ($\frac{5}{64}$ " or 2 mm blade width) screwdriver to loosen and tighten the terminals.
4. Attach the power connector block back into the receptacle on the device.



Warning — This product is intended to be supplied by a UL Listed Power Unit marked “Class 2” or “LPS” or “Limited Power Source” with output rated between 12 VDC or 24 VAC, 7 W min. or PoE rated 48 VDC, 7 W min.

When you select the wire used to provide power, be sure to select a gauge that is heavy enough for the wiring distance. Refer to the following table for the maximum wire length for different wire gauges.

Table:Wire Length for Different Wire Gauges

Wire Gauge		Maximum Run Length (ft [m])	
AWG	mm ²	24 VAC	12 VDC
24	0.2	164[50]	43[13]
22	0.33	267[81]	71[21]
20	0.5	428[130]	114[34]
18	0.82	680[207]	181[55]
16	1.3	1071[326]	285[87]

Aiming the Dome Camera

1. Loosen the mounting screws.
2. Turn the lenses to the desired direction by rotating the base.
3. Once satisfied, secure the dome camera's position by tightening the mounting screws.
4. If the image is upside down, flip the image rotation switch to rotate the image by a 180° angle.

Connecting to the Network Video Recorder

Important: To avoid networking problems, only use network switches recommended by Avigilon.

Connect the dome camera to the same network as the server running the Avigilon Control Center software. An IP address is automatically assigned to the device, and will be detected by the software. For more information on how to configure the connection, see the software user guide.

The connection status LEDs show the progress in connecting to the server and are described in the following table. By default, the connection status LED shuts off after the dome camera has been connected to a server

Table:Connection Status LED States

Connection State	Connection Status LED	Description
No Link	Off	Not physically connected to any network device
Obtaining IP Address	One short flash every second	Attempting to obtain an IP address
Connecting to a server	Two short flashes every second	An IP address has been obtained and is attempting to connect to the server
Upgrading Firmware	Two short flashes and one long flash every second	Updating the firmware
Connected	On	Connected to the server

IP Address Selection

Once connected to a network, the dome camera will attempt to locate and obtain an IP address from a DHCP server. If this fails, an IP address will be selected using Zeroconf (APIPA).

If the IP address is set using Zeroconf, the IP address will be in the 169.254.* subnet. A static IP address can be set from the Avigilon Control Center software, consult the software user guide for details.

Advanced Features

Upgrading the Firmware

The firmware can be field-upgraded through the Avigilon Control Center software. Consult the software user guide for details on how firmware upgrades are performed.

It is possible for the firmware to become corrupted during an upgrade — for example, if power is lost during the upgrade process. If this occurs, the dome camera can be reverted to run from bootstrap firmware. Once reverted, it can be upgraded as usual.



Warning — Only revert to bootstrap firmware if the device is unable to start up due to corrupted firmware.

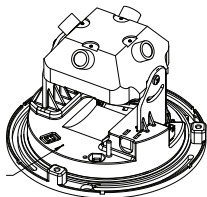


Figure: The firmware revert microswitch at the rear of the camera.

1. Disconnect power from the camera.
2. Using a straightened paperclip or similar tool, gently press and hold the firmware revert microswitch.
3. While continuing to hold the microswitch, power the device. Release the microswitch after three seconds.



Caution — Do not apply excessive force. Inserting the tool too far will damage the device.

Connecting to External Devices

External devices are connected through the I/O terminal. The pinout for the I/O terminal is shown in the following table and diagram. Consult the software user guide for details on how to configure the external devices.

Table: External I/O Terminals

Pin	Function	Description
1	GND	Ground for RS-485 interface.
2	RS-485 RX/TX+	Half-duplex RS-485 interface for controlling external equipment
3	RS-485 RX/TX-	
4	Input (-)/Output A	Shared pin for Input and Output.
5	Input (+)	The input uses a photocoupler and is electrically isolated from the internal circuitry. The input voltage should not exceed 12 V.
6	Output B	The output uses a photocoupler and is electrically isolated from the internal circuitry. The output terminal (A and B) connections can be made with either polarity. The output can drive a maximum load of 50 V and 120 mA.

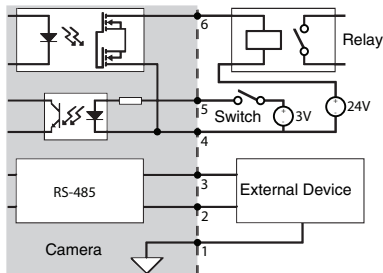


Figure: External I/O terminal schematics and example application.

Connecting to Microphones and Speakers

The dome camera can be connected to an external microphone and speaker through the audio connector. The audio connector is a 3.5 mm (1/8") input for a mono microphone or a line-in mono signal. The left channel of the stereo signal is used. The connector pinout is shown in the following diagram.

Consult the software user guide for details on how configure the audio input and output.

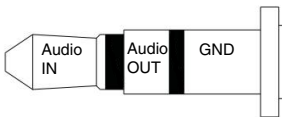


Figure: Audio connector.

Installing Replacement Dome Bubble

The dome bubble can be replaced if it is damaged.

1. Remove the dome cover by loosening the 3 tamper-proof screws.
2. Remove the 4 screws and retaining ring that fasten the bubble to the dome cover.
3. Pull the bubble out of the aluminum cover and remove the O-ring.
4. Put the O-ring on the replacement bubble and insert it into the dome cover.
5. Screw the retaining ring into the dome cover.

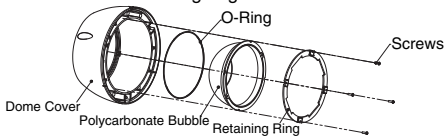


Figure: Dome bubble assembly

Cleaning

Body

Use a dry or lightly dampened cloth to clean the camera body.



Caution — Do not use strong or abrasive detergents when cleaning the camera body.

Specifications

Network

Network	100Base-TX
Cabling Type	CAT5
Connector	RJ-45
Security	SSL
Protocol	UDP, TCP, SOAP, DHCP, Zeroconf

Mechanical

Dimensions ØxH	150mm x 120mm 5.9" x 4.7"
Weight	0.91kg (2.0lbs) without lens
Dome Bubble	Polycarbonate, clear
Body	Aluminum
Housing	Surface mount, vandal resistant
Finish	Powder coat, cool gray 2
Adjustment Range	360° pan, 180° tilt, 180° azimuth

Electrical

Power Source	VDC: 12-24 V VAC: 24 V PoE: IEEE802.3af Class 3 compliant
Power Consumption	7 W + 5.5 W with heater option
Power Connector	2-pin terminal block

Environmental

Operating Temperature	-10 °C to +50 °C (14 °F to 122 °F) -30 °C to +50 °C (-22 °F to 122 °F) (with heater option)
Storage Temperature	-10 °C to +70 °C (14 °F to 158 °F)
Humidity	20 - 80% Relative humidity (non-condensing)

Certifications

	ROHS	WEEE
Environmental	IK10 Impact Rating	
Electromagnetic Emissions	FCC Part 15 Subpart B Class A IC ICES-003 Class A EN 61000-6-3 EN 61000-3-3	EN 55022 Class A EN 61000-3-2
Electromagnetic Immunity	EN 50130-4 EN 61000-4-2 EN 61000-4-3 EN 61000-4-4	EN 61000-4-5 EN 61000-4-6 EN 61000-4-11

Limited Warranty & Technical Support

Avigilon warrants to the original consumer purchaser, that this product will be free of defects in material and workmanship for a period of 3 years from date of purchase. The manufacturer's liability hereunder is limited to replacement of the product, repair of the product or replacement of the product with repaired product at the discretion of the manufacturer. This warranty is void if the product has been damaged by accident, unreasonable use, neglect, tampering or other causes not arising from defects in material or workmanship. This warranty extends to the original consumer purchaser of the product only.

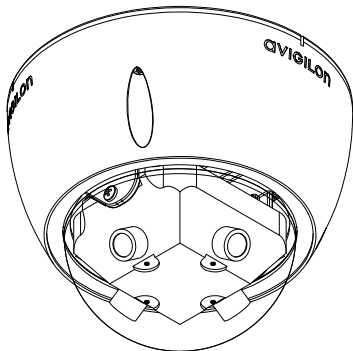
AVIGILON DISCLAIMS ALL OTHER WARRANTIES EXPRESSED OR IMPLIED INCLUDING, WITHOUT LIMITATION, ANY IMPLIED WARRANTIES OF MERCHANTABILITY OR FITNESS FOR A PARTICULAR PURPOSE, EXCEPT TO THE EXTENT THAT ANY WARRANTIES IMPLIED BY LAW CANNOT BE VALIDLY WAIVED.

No oral or written information, advice or representation provided by Avigilon, its distributors, dealers, agents or employees shall create another warranty or modify this warranty. This warranty states Avigilon's entire liability and your exclusive remedy against Avigilon for any failure of this product to operate properly.

In no event shall Avigilon be liable for any indirect, incidental, special, consequential, exemplary, or punitive damages whatsoever (including but not limited to, damages for loss of profits or confidential or other information, for business interruption, for personal injury, for loss of privacy, for failure to meet any duty including of good faith or of reasonable care, for negligence, and for any other pecuniary or other loss whatsoever) arising from the use of or inability to use the product, even if advised of the possibility of such damages. Since some jurisdictions do not allow the above limitation of liability, such limitation may not apply to you.

This Limited Warranty gives you specific legal rights and you may also have other rights which vary from jurisdiction to jurisdiction.

Warranty service and technical support can be obtained by contacting Avigilon Technical Support by phone at 1.888.281.5182 or via email at support@avigilon.com.



Guide d'installation

**Modèle de caméra dôme IP haute définition
panoramique Avigilon:**

8.0MP-HD-DOME-360

Informations de sécurité importantes

Ce manuel fournit des informations d'installation et d'exploitation, ainsi que des précautions d'utilisation pour la caméra dôme. Une installation incorrecte peut entraîner une défaillance imprévue. Avant d'installer cet équipement, lisez attentivement ce manuel. Veuillez remettre ce manuel au propriétaire de l'équipement pour une utilisation ultérieure.



Le symbole d'avertissement indique la présence de tensions dangereuses, à l'intérieur et à l'extérieur du boîtier du produit, susceptibles de générer un risque de choc électrique, de blessure grave, voire de décès, si des précautions appropriées ne sont pas prises.



Le symbole Attention alerte l'utilisateur sur la présence de dangers susceptibles d'infliger aux personnels des blessures mineures à modérées, d'endommager des biens ou le produit lui-même si des précautions appropriées ne sont pas prises.



Avertissement — Le non-respect des instructions suivantes est susceptible d'entraîner des blessures graves voire le décès.

- N'utilisez pas l'équipement à proximité de l'eau ; ne l'exposez pas à des éclaboussures ou des fuites. Ne placez aucun objet rempli de liquide au-dessus de l'équipement.
- N'exposez pas l'équipement à la pluie ou aux moisissures.
- Pour une utilisation en intérieur uniquement.
Si l'équipement est utilisé en extérieur, un adaptateur ou un boîtier de fixation en extérieur approuvé est obligatoire. Consultez Avigilon pour plus d'informations.
- L'installation doit être effectuée par un personnel qualifié uniquement et doit être en conformité avec tous les codes locaux.
- Ce produit doit être alimenté par une alimentation répertoriée UL et portant le marquage "Classe 2", "LPS" ou "Limited Power Source", d'une capacité de sortie nominale de 12 VCC ou

24 VCA pour 7 W min. ou, en mode PoE (Power over Ethernet), de 48 VCC pour 7 W min.

- Toute alimentation externe connectée à ce produit ne peut être connectée qu'à un autre produit Avigilon de la même gamme de modèles. Les connexions à des alimentations externes doivent être correctement isolées.
- Pour quelque raison que ce soit, ne connectez pas l'équipement directement au secteur.



Attention — Le non-respect des instructions suivantes est susceptible d'entraîner des blessures et d'endommager la caméra dôme.

- N'effectuez aucune installation à proximité de sources de chaleur telles que radiateurs, bouches de chaleur ou poêles.
- Ne soumettez pas les câbles à des tensions, des charges ou des pincements excessifs.
- N'ouvrez pas l'équipement, ne le démontez pas. Il ne contient aucune pièce sur laquelle l'utilisateur peut intervenir.
- Pour toute intervention, contactez un personnel qualifié. Une intervention peut se révéler nécessaire lorsque l'équipement est endommagé (par exemple, par le renversement d'un liquide ou la chute d'un objet), lorsqu'il a été exposé à la pluie ou à l'humidité (présence de moisissure), lorsqu'il ne fonctionne pas normalement ou lorsqu'il a chuté.
- N'utilisez pas de détergents puissants ou abrasifs lorsque vous nettoyez le corps de l'équipement.
- Utilisez uniquement les accessoires recommandés par Avigilon.
- Évitez de laisser le capteur d'images exposé pendant des durées prolongées. Couvrez toujours le capteur d'images avec un capuchon de lentille ou de protection contre la poussière.
- Ne laissez pas entrer de corps étrangers, poussières ou moisissures dans les lentilles.
- Ne touchez jamais aucun élément en verre présent à l'intérieur de l'objectif.
- N'orientez pas les lentilles directement vers un élément extrêmement brillant, comme le soleil ; vous pourriez endommager le capteur d'images.
- L'utilisation de commandes, de réglages ou de procédures autres que ceux spécifiés dans le présent document peut entraîner une exposition à des radiations dangereuses.

Notices relatives à la réglementation

Cet équipement est conforme à section 15 des règles FCC. Son exploitation est sujette aux deux conditions suivantes : (1) Cet équipement ne risque pas de générer d'interférences nuisibles et (2) cet équipement doit accepter toute interférence reçue, y compris celles susceptibles d'induire un fonctionnement indésirable.

Ce produit est conforme à la norme IEC 60825-1 (A2:2001) - PRODUIT DEL CLASSE 1. Puissance de sortie rayonnée maximale : 740 mW.

Cet équipement numérique de Classe A est conforme à la norme canadienne ICES-003.

Notice FCC

Cet équipement a été testé et déclaré conforme aux limitations relatives à un appareil numérique de classe A, en vertu de la Section 15 des règles de la FCC. Ces limitations visent à assurer une protection raisonnable contre les interférences dans le cadre d'une exploitation de l'équipement dans un environnement commercial. Cet équipement génère, utilise et irradie de l'énergie radiofréquence, et risque, s'il n'est pas installé et utilisé conformément à son manuel d'instruction, de provoquer des interférences nuisibles pour les communications radiophoniques. L'exploitation de cet équipement dans une zone résidentielle est susceptible de générer des interférences nuisibles, auquel cas l'utilisateur sera tenu de remédier à ces interférences à ses propres dépens.

Tout changement ou modification apporté à cet équipement non expressément approuvé par Avigilon Corporation ou des tiers autorisés par Avigilon Corporation pourrait annuler l'autorisation accordée à l'utilisateur d'utiliser cet équipement.

Informations sur la mise au rebut et le recyclage

Lorsque ce produit aura atteint la fin de sa vie utile, veuillez le mettre au rebut conformément aux directives et à la législation locales sur l'environnement.

Union européenne :

Ce symbole signifie que, conformément aux lois et aux réglementations locales, votre produit doit être mis au rebut hors déchets ménagers. Lorsque ce produit aura atteint la fin de sa vie utile, portez-le à un point de collecte désigné par les autorités locales. Certains points de collecte acceptent gratuitement les produits. La collecte et le recyclage séparés de votre produit au moment de la mise au rebut contribuent à conserver les ressources naturelles et garantissent que le produit est recyclé de sorte à protéger la santé humaine et l'environnement.

Autres notices

Notice sur la compilation et la publication

Ce manuel a été compilé et publié en couvrant les spécifications et descriptions de produit les plus récentes. Le contenu de ce manuel et les spécifications de ce produit sont sujets à modifications sans avis préalable. Avigilon se réserve le droit d'apporter des modifications sans avis préalable aux spécifications et informations présentées dans le présent manuel. Avigilon ne saurait être tenu responsable de tout dommage (notamment accessoire) causé par le fait de se fier aux informations présentées, notamment mais sans s'y limiter, en termes d'erreurs typographiques et d'autres erreurs liées à la publication.

Notice de propriété intellectuelle

Aucune licence n'est accordée par implication ou autre action dans le cadre de toute conception industrielle, de droits de conception industriels, de brevet et droits de brevet, ou de droits de reproduction (copyrights) d'Avigilon Corporation ou de ses concédants de licence. Les marques commerciales et les marques déposées sont la propriété de leurs détenteurs respectifs.

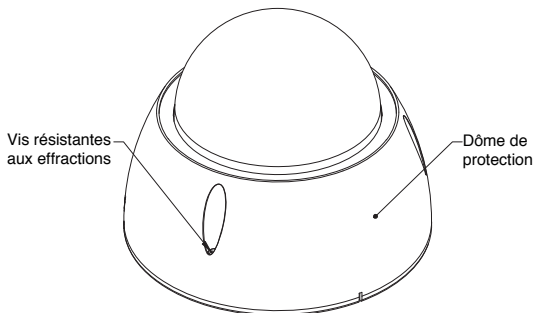
Certaines parties du logiciel de ce produit sont cédées sous licence dans le cadre de la licence eCos. La distribution de licences eCos implique que le code source eCos soit mis à la disposition des clients d'Avigilon. La licence eCos et le code source eCos sont mis à la disposition du public sur le site Web <http://www.avigilon.com/ecoslicense>. Avigilon se réserve tous les droits sur tous les logiciels non couverts par la licence eCos. Ceux-ci comprennent tous les parties du logiciel non distribuées à Avigilon en tant que composant du système d'exploitation eCos.

Tables des matières

Présentation générale	1
Vue du dôme	1
Vue du dessous	2
Vue avant	3
Vue arrière	4
Vue du module de chauffage	5
Installation	6
Outils et matériel requis	6
Contenu du conditionnement	6
Étapes d'installation	6
Dépose du dôme de protection	6
Fixation de la caméra dôme	7
Raccordement de l'alimentation	8
Visée de la caméra dôme	9
Raccordement à l'enregistreur vidéo en réseau (NVR)	9
Sélection de l'adresse IP	10
Caractéristiques avancées	11
Mise à niveau du microcode	11
Connexion à des périphériques externes	12
Raccordement de microphones et de haut-parleurs	13
Installation d'une bulle de dôme de remplacement	13
Nettoyage	14
Corps	14
Spécifications	15
Garantie limitée et assistance technique ...	16

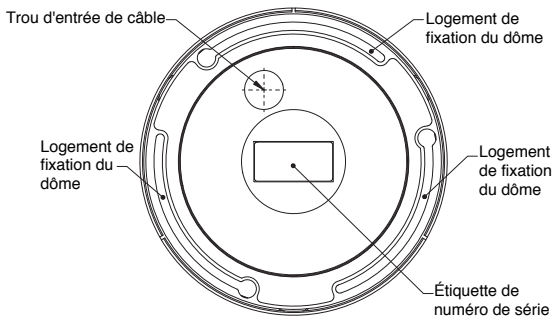
Présentation générale

Vue du dôme



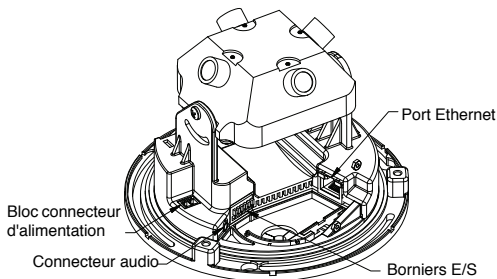
Caractéristique	Description
Dôme de protection	Dôme à l'épreuve du vandalisme en aluminium avec bulle en polycarbonate.
Vis résistantes aux effractions	Vis imperdables TORX résistantes aux effractions pour fixer le dôme de protection à la base.

Vue du dessous



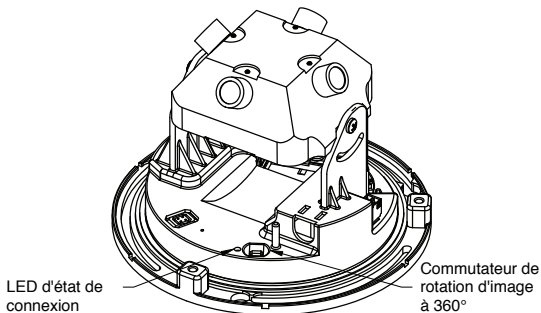
Caractéristique	Description
Trou d'entrée de câble	Trou d'entrée pour les câbles réseau, d'alimentation et E/S.
Logement de fixation du dôme	Points de fixation pour la caméra dôme.
Étiquette de numéro de série	Numéro de série du produit et étiquette de référence pièce

Vue avant



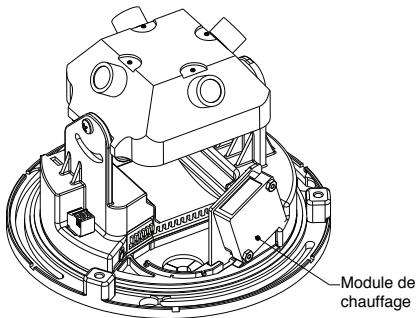
Caractéristique	Description
Port Ethernet	<p>Accepte une connexion Ethernet à un réseau. La transmission des données d'images et de la communication avec le serveur s'effectue par cette connexion. Ce port reçoit également l'alimentation en cas de connexion à un réseau à fonctionnalité PoE (Power over Ethernet).</p> <p>Le port Ethernet dispose de deux diodes d'état indiquant la liaison (gauche) et l'activité (droite).</p>
Bloc connecteur d'alimentation	<p>Accepte un bloc de borniers avec une connexion d'alimentation en CC ou CA. L'entrée en CC ne tient pas compte de la polarité. Requis uniquement lorsque la technologie PoE (Power over Ethernet) n'est pas disponible.</p>
Connecteur audio	<p>Accepte une entrée de 3,5 mm provenant d'un microphone externe (microphone non fourni). Reportez-vous à la section relative à la connexion de microphones pour plus d'informations.</p>
Borniers E/S	<p>Fournit des connexions à des périphériques d'entrée/de sortie externes. Reportez-vous à la section relative à la connexion de périphériques externes pour plus d'informations.</p>

Vue arrière



Caractéristique	Description
LED d'état de connexion	<p>Fournit des informations sur la connexion réseau. Consultez la section sur la connexion à l'enregistreur vidéo en réseau, ou NVR (Network Video Recorder), pour plus d'informations.</p> <p>La diode (LED) d'état de connexion peut être éteinte pour un fonctionnement dans des installations discrètes. Reportez-vous au <i>Guide de l'utilisateur d'Avigilon Control Center Client</i> pour plus d'informations.</p>
Commutateur de rotation d'image	Fait tourner l'image selon un angle de 180 degrés.

Vue du module de chauffage



Caractéristique	Description
Module de chauffage	Fournit de la chaleur à la caméra pour étendre la plage des températures d'exploitation. Le module de chauffage n'est pas fourni avec tous les modèles.

Installation

Outils et matériel requis

- Petit tournevis à lame plate de 2 mm (ou 5/64 pouce) de large ; pour le raccordement de l'alimentation si l'appareil ne dispose pas de connexion PoE (Power over Ethernet).

Contenu du conditionnement

Assurez-vous que le conditionnement contient les éléments suivants :

- Caméra dôme IP haute définition panoramique Avigilon
- Bloc de borniers
- Clé TORX T20 résistante aux effractions
- 3 vis et points d'ancrage pour les parois pleines
- Modèle de perçage

Étapes d'installation

Effectuez les procédures suivantes pour installer la caméra dôme.

1. *Dépose du dôme de protection* à la page 6.
2. *Fixation de la caméra dôme* à la page 7.
3. *Raccordement de l'alimentation* à la page 8.
4. *Visée de la caméra dôme* à la page 9
5. *Raccordement à l'enregistreur vidéo en réseau (NVR)* à la page 9

Dépose du dôme de protection

Retirez le dôme de protection en desserrant les 3 vis résistantes aux effractions qui le fixent à la base. La clé résistante aux effractions incluse avec la caméra dôme peut servir à desserrer les vis.

REMARQUE : Veillez à ne pas rayer la bulle du dôme.

Fixation de la caméra dôme

La caméra dôme peut être fixée directement à une surface ou au moyen d'un des quatre accessoires de fixation pour caméra dôme : plaque de fixation sur boîtier électrique d'intérieur, fixation d'intérieur encastrée en plafond, base de fixation en intérieur/extérieur et fixation en suspension en intérieur/extérieur.

Pour fixer la caméra dôme, procédez selon les étapes suivantes :

1. Utilisez le modèle de perçage et percez les trois trous de fixation ainsi qu'un trou passe-câble dans le plafond/mur. Si vous utilisez un accessoire de fixation pour la caméra dôme, cette étape n'est pas nécessaire.
2. Introduisez trois vis dans les trous de fixation et laissez un espace de 6 mm (¼") entre la tête de vis et la surface du plafond/mur.
3. Passez les câbles à travers le trou passe-câble dans le plafond/mur et le trou d'entrée des câbles dans la caméra dôme.
4. Installez la base du dôme sur les vis en plaçant celles-ci sur les logements de fixation clavetés et faites-la tourner dans le sens horaire.
5. Serrez les vis pour maintenir la caméra dôme en place.



Avertissement — Pour la surface de montage, utilisez uniquement des supports de fixation répertoriés UL et capables de supporter un poids minimal de 0,53 kg (1,2 lbs), plus le poids des objectifs rattachés.



Attention — Cette caméra est conçue pour un usage exclusivement en intérieur.

Pour l'utiliser en extérieur, un accessoire de fixation d'extérieur est nécessaire.

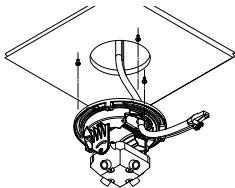


Figure : Installation de la caméra dôme

Raccordement de l'alimentation

REMARQUE : N'effectuez pas cette procédure si vous utilisez la technologie POE (Power over Ethernet).

Si la technologie PoE n'est pas disponible, la caméra dôme doit être alimentée par le biais du bloc connecteur d'alimentation amovible. Reportez-vous aux schémas présentés dans ce guide pour localiser le bloc connecteur d'alimentation.

L'appareil peut être alimenté par une source 12 VCC ou 24 VCA. Les informations relatives à la consommation électrique sont répertoriées dans les spécifications du produit.

Pour raccorder la source d'alimentation au bloc connecteur, procédez selon les étapes suivantes :

1. Retirez le bloc connecteur d'alimentation de l'appareil.
2. Retirez la gaine d'isolation des fils sur 6 mm (1/4 de pouce).
N'entaillez pas ou n'endommagez pas les fils.
3. Insérez les deux fils d'alimentation dans les deux borniers du bloc connecteur d'alimentation. La connexion peut s'effectuer sans tenir compte de la polarité.
Utilisez un petit tournevis à lame plate (5/64" ou 2 mm de largeur de lame) pour desserrer et serrer les borniers.
4. Réinstallez le bloc connecteur d'alimentation dans le réceptacle sur l'équipement.



Avertissement — Ce produit doit être alimenté par une unité source répertoriée UL et portant le marquage "Classe 2", "LPS" ou "Limited Power Source", d'une capacité de sortie nominale de 12 VCC ou 24 VCA pour 7 W minimum ou, en mode PoE, de 48 VCC pour 7 W minimum.

Lorsque vous sélectionnez le fil utilisé pour l'alimentation électrique, veillez à choisir une épaisseur suffisamment importante pour la distance de câblage. Reportez-vous au tableau suivant pour connaître la longueur de fil maximale pour les différentes épaisseurs.

Tableau : Longueur de fil pour les différentes épaisseurs

Épaisseur de fil		Longueur de fil maximale (ft [m])	
AWG	mm ²	24 VCA	12 VCC
24	0,2	164[50]	43[13]
22	0,33	267[81]	71[21]
20	0,5	428[130]	114[34]
18	0,82	680[207]	181[55]
16	1,3	1071[326]	285[87]

Visée de la caméra dôme

1. Desserrez les vis de fixation.
2. Tournez l'objectif dans la direction souhaitée en faisant tourner la base.
3. Une fois la direction souhaitée atteinte, serrez les vis de fixation pour maintenir la caméra dôme en position.
4. Si l'image est inversée verticalement, activez le commutateur de rotation d'image pour basculer l'image à 180 degré.

Raccordement à l'enregistreur vidéo en réseau (NVR)

Important : Pour éviter les problèmes liés au réseau, utilisez uniquement des commutateurs réseau recommandés par Avigilon.

Connectez la caméra dôme au réseau sur lequel s'exécute le serveur qui héberge le logiciel Avigilon Control Center. Une adresse IP est automatiquement affectée au périphérique ; elle est détectée par le logiciel. Pour plus d'informations sur la configuration de la connexion, reportez-vous au guide de l'utilisateur du logiciel.

Les diodes, ou LED, d'état de connexion indiquent la progression de la connexion au serveur. Elles sont décrites dans le tableau suivant. Par

défaut, la LED d'état de connexion s'éteint une fois la caméra dôme connectée au serveur.

Tableau : États de la LED de connexion

État de la connexion	LED d'état de connexion	Description
Absence de liaison	Éteint	Aucune connexion physique à un périphérique réseau
Obtention d'une adresse IP	Un clignotement bref à chaque seconde	Tentative d'obtention d'une adresse IP
Connexion à un serveur	Deux clignotements brefs à chaque seconde	Une adresse IP a été obtenue ; tentative de connexion au serveur
Mise à niveau du microcode	Deux clignotements brefs et un long à chaque seconde	Mise à niveau du microcode
Connecté	Allumé	Connexion au serveur

Sélection de l'adresse IP

Une fois connectée à un réseau, la caméra dôme tente de localiser un serveur DHCP et d'obtenir une adresse IP auprès de ce dernier. En cas d'échec de la procédure, une adresse IP est sélectionnée par le biais de Zeroconf (APIPA).

Si l'adresse IP est définie au moyen de Zeroconf, son sous-réseau sera 169.254.*. Une adresse IP statique peut être définie depuis le logiciel Avigilon Control Center. Pour plus de détails, consultez le guide de l'utilisateur du logiciel.

Caractéristiques avancées

Mise à niveau du microcode

Le microcode peut être mis à niveau sur site par le biais du logiciel Avigilon Control Center. Pour plus de détails sur la mise à niveau du microcode, reportez-vous au guide de l'utilisateur du logiciel.

Il est possible que le microcode soit corrompu au cours de la mise à niveau ; par exemple, si l'alimentation est coupée au cours du processus. Dans un tel cas, le fonctionnement de la caméra dôme avec le microcode d'amorçage peut être rétabli. Une fois le fonctionnement de l'appareil rétabli, le microcode peut à nouveau être mis à niveau par le processus classique.



Avertissement — Ne revenez au microcode d'amorçage que si l'appareil ne peut pas s'initialiser du fait d'une corruption du microcode.

Bouton de réinitialisation du microcode

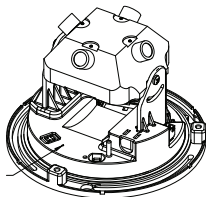


Figure : Emplacement du micro-interrupteur de réinitialisation du microcode à l'arrière de la caméra.

1. Débranchez l'alimentation de la caméra.
2. Avec un trombone redressé ou un outil pointu similaire, appuyez légèrement sur le micro-interrupteur de réinitialisation du microcode et maintenez-le enfoncé.
3. Tout en maintenant le micro-interrupteur enfoncé, mettez l'appareil sous tension. Relâchez le micro-interrupteur au bout de trois secondes.



Attention — N'appliquez pas une force excessive. Une insertion trop profonde de l'outil endommagerait l'appareil.

Connexion à des périphériques externes

Les périphériques externes se raccordent par le biais du bornier E/S. Le brochage du bornier E/S est présenté dans le tableau et sur le schéma suivants. Pour plus de détails sur la configuration des périphériques externes, reportez-vous au guide de l'utilisateur du logiciel.

Tableau :Borniers E/S externes

Broche	Fonction	Description
1	GND	Mise à la terre pour interface RS-485
2	RX/TX+ RS-485	Interface RS-485 en semi-duplex pour le contrôle de l'équipement externe
3	RX/TX- RS-485	
4	Entrée (-)/Sortie A	Broche partagée pour entrée et sortie
5	Entrée (+)	L'entrée fait appel à un photocoupleur. Elle est isolée électriquement du circuit interne. La tension d'entrée ne doit pas dépasser 12 V.
6	Sortie B	La sortie fait appel à un photocoupleur. Elle est isolée électriquement du circuit interne. Les connexions (A et B) au bornier de sortie peuvent s'effectuer avec l'une ou l'autre polarité. La sortie peut supporter une charge maximale de 50 V et 120 mA.

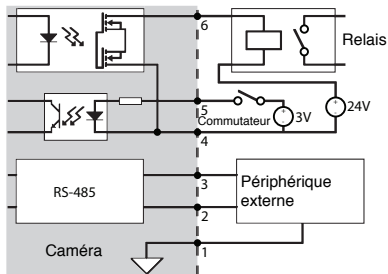


Figure : Schéma du bornier d'E/S externe et exemple d'application

Raccordement de microphones et de haut-parleurs

La caméra peut être raccordée à un microphone et un haut-parleur externes par le biais du connecteur audio. Le connecteur audio est une entrée de 3,5 mm (1/8") destinée à un microphone mono ou à un signal mono en ligne. Il utilise le canal de gauche du signal stéréo. Le brochage du connecteur est présenté sur le schéma suivant.

Pour plus de détails sur la configuration de l'entrée et de la sortie audio, reportez-vous au guide de l'utilisateur du logiciel.

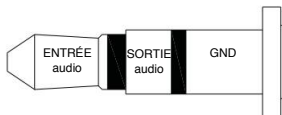


Figure : Connecteur audio

Installation d'une bulle de dôme de remplacement

La bulle de dôme peut être remplacée si elle est endommagée.

1. Retirez le dôme de protection en desserrant les trois vis résistantes aux effractions.
2. Retirez les 4 vis et la bague de retenue qui fixe la bulle au dôme de protection.
3. Sortez la bulle du capot en aluminium et retirez le joint torique.
4. Placez le joint torique sur la bulle de remplacement, puis insérez celle-ci dans le dôme de protection.
5. Vissez la bague de retenue dans le dôme de protection.

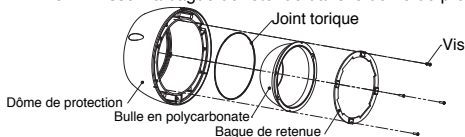


Figure : Assemblage de la bulle du dôme

Nettoyage

Corps

Utilisez un chiffon sec ou légèrement humide pour nettoyer le corps de la caméra.



Attention — N'utilisez pas de détergents puissants ou abrasifs lorsque vous nettoyez le corps de la caméra.

Spécifications

Réseau

Réseau	100Base-TX
Type de câblage	CAT5
Connecteur	RJ-45
Sécurité	SSL
Protocole	UDP, TCP, SOAP, DHCP, Zeroconf

Mécanique

Cotes Ø x H	150 x 120 mm 5,9" x 4,7"
Poids	0,91 kg (2 lbs) sans objectif
Bulle du dôme	Polycarbonate, transparent
Corps	Aluminium
Boîtier	Montage sur surface, résistant au vandalisme
Finition	Revêtement par pulvérisation, Cool Gray 2
Plage de réglage	Panoramique à 360°, inclinaison à 180°, azimut à 180°

Électrique

Source d'alimentation	VCC : 12 - 24 V VCA : 24 V PoE : IEEE802.3af, compatible Classe 3
Consommation électrique	7 W + 5,5 W avec module de chauffage optionnel
Connecteur d'alimentation	Bloc terminal à 2 broches

Environnemental

Température d'exploitation	-10 à +50 °C (14 à 50,00 °C) -30 à +50 °C (-22 à 122 °F) (avec module de chauffage optionnel)
Température de stockage	-10 à +70 °C (14 à 158 °F)
Humidité	20 à 80% d'humidité relative (non condensée)

Certifications

Certifications	ROHS	WEEE
Environnemental	Classification pour les impacts IK10	
Émissions électromagnétiques	FCC, section 15, sous-section B, classe A	
	IC ICES-003 Classe A EN 61000-6-3 EN 61000-3-3	EN 55022 Classe A EN 61000-3-2
Immunité électromagnétique	EN 50130-4	EN 61000-4-2
	EN 61000-4-3	EN 61000-4-4
	EN 61000-4-5	EN 61000-4-6
	EN 61000-4-11	

Garantie limitée et assistance technique

Avigilon garantit à l'acheteur consommateur d'origine que ce produit est exempt de défauts liés au matériel ou à la main-d'œuvre pour une période de 3 années à compter de la date d'achat. La responsabilité du fabricant explicitée ci-dessous se limite au remplacement ou la réparation du produit, voire au remplacement du produit par un produit réparé, et ce à la discrétion du fabricant. Cette garantie s'annule dès lors que le produit est endommagé par accident, utilisation irraisonnée, négligence, modification ou toute autre cause non liée à des défauts relatives au matériel ou à la main-d'œuvre. Cette garantie couvre uniquement l'acheteur consommateur d'origine du produit.

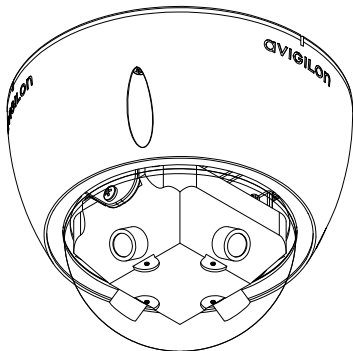
AVIGILON REJETTE TOUTE AUTRE GARANTIE, EXPRESSE OU TACITE, NOTAMMENT MAIS SANS S'Y LIMITER, TOUTE GARANTIE TACITE DE QUALITÉ MARCHANDE OU D'ADÉQUATION À UN OBJECTIF PARTICULIER, SAUF DANS LES CAS DE GARANTIE TACITE PAR FORCE DE LOI NE POUVANT ÊTRE ANNULÉE DE MANIÈRE VIABLE.

Aucun conseil, information ou représentation, de nature orale ou écrite, fourni par Avigilon, ses distributeurs, revendeurs, agents ou employés, ne saurait induire une autre garantie ou modifier la présente garantie. La présente garantie spécifie l'entière responsabilité d'Avigilon ainsi que votre recours exclusif auprès d'Avigilon pour toute défaillance de ce produit dans le cadre d'une exploitation appropriée.

En aucun cas, Avigilon ne saurait être tenu responsable de tout dommage indirect, accessoire, particulier, consécutif, exemplaire ou punitif de quelque nature que ce soit (notamment mais sans s'y limiter, la perte de profits et d'informations, notamment confidentielles, l'interruption d'activité, la blessure, la perte de confidentialité, la non-satisfaction d'un devoir notamment la bonne foi ou les mesures raisonnables, la négligence, ainsi que toute autre perte notamment d'ordre pécuniaire) induit par l'utilisation du produit ou l'incapacité à utiliser le produit, même en cas d'avertissement préalable quant à la possibilité d'un tel dommage. Sachant que certaines juridictions n'autorisent pas la décharge de responsabilité ci-dessus, cette décharge peut ne pas s'appliquer à votre cas.

La présente garantie limitée vous confère des droits légaux spécifiques. Vous pouvez également disposer d'autres droits qui varient d'une juridiction à une autre.

Le service de garantie et l'assistance technique peuvent s'obtenir en contactant le support technique Avigilon, par téléphone 1.888.281.5182 ou par courrier électronique à l'adresse support@avigilon.com.



Guía de instalación

Modelo de cámara domo IP de alta definición panorámica de Avigilon:

8.0MP-HD-DOME-360

Información importante sobre la seguridad

Este manual proporciona información sobre la instalación y funcionamiento de la cámara domo, así como precauciones a tener en cuenta durante su uso. Una instalación incorrecta podría provocar un fallo inesperado. Antes de instalar este equipo, lea atentamente este manual. Proporcione este manual al propietario del equipo para usos futuros.



El símbolo de advertencia indica la presencia de un voltaje peligroso dentro y fuera de la carcasa del producto que puede constituir un riesgo de descarga eléctrica, lesiones graves o la muerte de personas si no se siguen las precauciones adecuadas.



El símbolo de precaución pone en alerta al usuario ante la presencia de peligros que pueden provocar lesiones menores o moderadas a personas, daños a la propiedad o daños al producto si no se siguen las precauciones adecuadas.



Advertencia: Si no se tienen en cuenta las siguientes instrucciones, pueden producirse lesiones graves o incluso la muerte.

- No utilice el dispositivo cerca del agua y evite las fugas de líquidos o salpicaduras. No coloque objetos que contengan líquidos encima del dispositivo.
- No exponga el dispositivo a la lluvia ni la humedad.
- Solo para uso en interiores.
Si se utiliza en exteriores, se requiere una carcasa o un adaptador de montaje para exteriores aprobado. Para obtener más información, consulte a Avigilon.
- La instalación solo debe efectuarla personal cualificado y debe cumplir todas las normas locales.
- Este producto se ha diseñado para ser suministrado por una unidad de alimentación con aprobación UL con la etiqueta "Clase 2", "LPS" o "Fuente de alimentación limitada" con una velocidad de salida de 12 V CC o 24 V CA, 7 W mín. o una velocidad Power over Ethernet (PoE) de 48 V CC, 7 W mín.

- Cualquier fuente de alimentación externa conectada a este producto solo debe conectarse a otro producto Avigilon de la misma serie del modelo. Las conexiones de alimentación externas deben aislarse como es debido.
- Bajo ningún concepto, nunca conecte el dispositivo directamente a la corriente eléctrica.



Precaución: Si no se tienen en cuenta las siguientes instrucciones, pueden producirse lesiones o daños en la cámara domo.

- No instale el dispositivo cerca de fuentes de calor como radiadores, rejillas de aire caliente, estufas, etc.
- No someta los cables a demasiada tensión, cargas pesadas o pinzamientos.
- No abra ni desmonte el dispositivo. No hay ninguna pieza que pueda reparar el usuario.
- Derive todas las reparaciones al personal cualificado. Las reparaciones deben llevarse a cabo cuando el dispositivo ha resultado dañado (como por ejemplo, debido a un líquido que se ha derramado u objetos que han caído), se ha expuesto a la lluvia o humedad, no funciona correctamente o se ha caído.
- No utilice detergentes fuertes o abrasivos para limpiar el cuerpo del dispositivo.
- Utilice únicamente accesorios recomendados por Avigilon.
- Evite dejar expuesto el sensor de imagen durante largos períodos de tiempo. Cubra siempre el sensor de imagen con una tapa antipolvo o del objetivo.
- No deje que entre polvo, humedad u otra suciedad externa en la montura de objetivo.
- No toque nunca ningún elemento de vidrio contenido en la montura de objetivo.
- No apunte el objetivo directamente al sol o a otros objetos extremadamente brillantes, ya que podría dañar el sensor de imagen.
- El uso de controles o ajustes o la ejecución de procedimientos diferentes a los especificados en este documento puede provocar una exposición a la radiación peligrosa.

Avisos del organismo regulador

Este dispositivo cumple con la Sección 15 de la Reglamentación FCC. El funcionamiento está sujeto a las dos condiciones siguientes: (1) Este dispositivo no ha de causar interferencias indeseadas, y (2) este dispositivo debe aceptar cualquier interferencia recibida, incluyendo interferencias que puedan causar un funcionamiento no deseado.

Este producto cumple con la norma IEC 60825-1 (A2:2001) - CLASE 1 - PRODUCTO LED. Potencia de salida radiada máxima: 740 mW.

Este aparato digital de Clase A cumple con la normativa canadiense ICES-003.

Aviso de la FCC

Este equipo ha sido probado y cumple con los límites establecidos para dispositivos digitales de Clase A, con arreglo a la Sección 15 de la Reglamentación FCC. Estos límites están pensados para proporcionar una protección razonable contra interferencias dañinas cuando se utiliza el equipo en instalaciones comerciales. Este equipo genera, utiliza y puede radiar energía de radiofrecuencia y, si no se instala y utiliza de acuerdo con el manual de instrucciones, puede causar interferencias nocivas a las comunicaciones por radio. La utilización de este equipo en una zona residencial probablemente ocasionará interferencias nocivas, en cuyo caso el usuario deberá corregir la interferencia a su propio coste.

Los cambios o modificaciones efectuados en este equipo no aprobados expresamente por Avigilon Corporation o las partes autorizadas por Avigilon Corporation podrían anular la capacidad del usuario para utilizar el equipo.

Información sobre la eliminación de residuos y el reciclaje

Cuando este producto haya llegado al final de su vida útil, deshágase de él de acuerdo con la legislación y normativa locales en materia de medio ambiente.

Comunidad Europea:



Este símbolo significa que según la legislación y normativa locales su producto debe eliminarse por separado de los residuos domésticos. Cuando el producto llegue al final de su vida útil, llévalo a un punto de recogida designado por las autoridades locales. Algunos puntos de recogida aceptan productos de forma gratuita. La recogida y reciclaje por separado del producto en el momento de su eliminación ayudará a conservar los recursos naturales y garantizar que se recicla respetando la salud y el medio ambiente.

Otros avisos

Aviso de compilación y publicación

Este manual se ha compilado y publicado contemplando las descripciones y especificaciones del producto más recientes. El contenido de este manual y las especificaciones de este producto están sujetos a cambios sin previo aviso. Avigilon se reserva el derecho de efectuar cambios sin previo aviso en las especificaciones y materiales contenidos aquí y no se hará responsable de ningún daño (incluidos los resultantes) causados por depender de los materiales presentados, incluidos a título enunciativo pero no limitativo los errores tipográficos y otros errores relativos a la publicación.

Aviso sobre la propiedad intelectual

No se concederá ninguna licencia por implicación o cualquier otra circunstancia bajo ningún diseño industrial, derechos de diseño industrial, patente, derechos de patente o copyrights de Avigilon Corporation o sus licenciantes. Todas las marcas comerciales y marcas comerciales registradas son propiedad de sus respectivos propietarios.

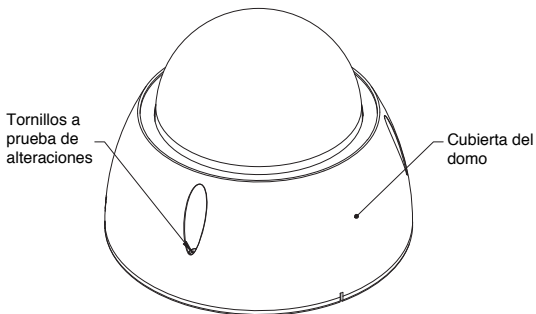
Se concede la licencia de algunas partes del software de este producto según la licencia de eCos. La distribución de eCos requiere que el código fuente de eCos sea puesto a disposición de los clientes de Avigilon. La licencia de eCos y el código fuente de eCos están disponibles para el público en <http://www.avigilon.com/ecoslicense>. Avigilon se reserva todos los derechos a todo el software no cubierto en la licencia de eCos. Esto incluye todas las partes del software que no se distribuyeron a Avigilon como parte del sistema operativo eCos.

Tabla de Contenidos

Visión general	1
Vista de la cubierta	1
Vista inferior	2
Vista frontal	3
Vista posterior	4
Vista del calentador	5
Instalación	6
Herramientas y materiales necesarios	6
Contenido del paquete	6
Pasos para la instalación	6
Extracción de la cubierta domo	6
Montaje de la cámara domo	7
Conexión de la alimentación	8
Orientación de la cámara domo	9
Conexión al grabador de vídeo en red	9
Selección de una dirección IP	10
Funciones avanzadas	11
Actualización del firmware	11
Conexión de dispositivos externos	12
Conexión de micrófonos y altavoces	13
Instalación del domo tipo burbuja de sustitución	13
Limpieza	14
Cuerpo	14
Especificaciones	15
Garantía limitada y servicio de asistencia técnica	16

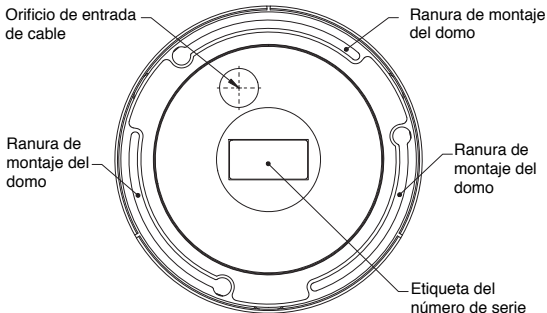
Visión general

Vista de la cubierta



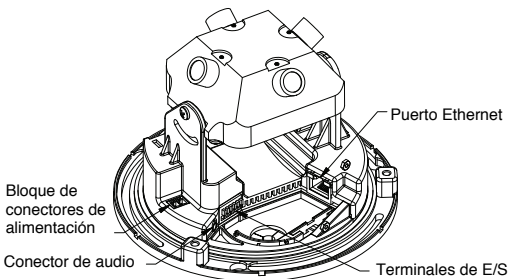
Función	Descripción
Cubierta del domo	Cubierta del domo a prueba de vandalismo construida de aluminio con una burbuja de policarbonato.
Tornillos a prueba de alteraciones	Tornillos cautivos TORX a prueba de alteraciones para fijar la cubierta domo a la base.

Vista inferior



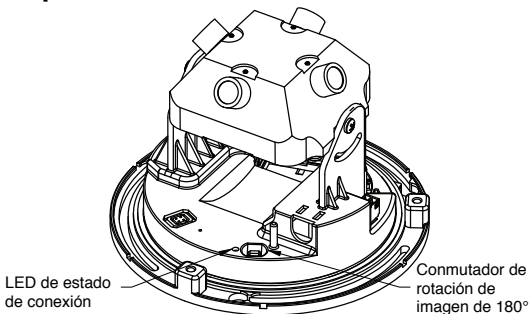
Función	Descripción
Orificio de entrada de cable	Un orificio de entrada para los cables de red, alimentación y de E/S.
Ranura de montaje del domo	Puntos de montaje para la cámara domo.
Etiqueta del número de serie	Etiqueta con el número de serie y la referencia del producto.

Vista frontal



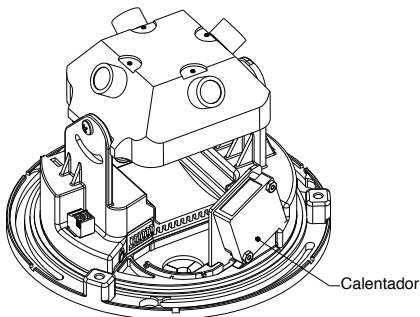
Función	Descripción
Puerto Ethernet	Acepta una conexión Ethernet a una red. La transmisión de datos de imágenes y la comunicación del servidor ocurre durante esta conexión. También recibe alimentación cuando se conecta a una red que proporciona Power over Ethernet. El puerto Ethernet tiene dos luces de estado que indican conexión (izquierda) y actividad (derecha).
Bloque de conectores de alimentación	Acepta un bloque de terminales con una conexión de alimentación CA o CC. La entrada CC acepta cualquier polaridad. Solo es necesario cuando Power over Ethernet no está disponible.
Conector de audio	Acepta una entrada de 3,5 mm desde un micrófono externo (el micrófono no se incluye). Para obtener más información, consulte la sección sobre la conexión de micrófonos.
Terminales de E/S	Proporciona conexiones a dispositivos de entrada/salida externa. Para obtener más información, consulte la sección sobre la conexión de dispositivos externos.

Vista posterior



Función	Descripción
LED de estado de conexión	Proporciona información sobre la conexión de red. Para obtener más información, consulte la sección sobre la conexión del grabador de vídeo en red. El LED de estado de conexión puede apagarse para trabajar en instalaciones ocultas. Para obtener más información, consulte la <i>Guía del usuario de Avigilon Control Center Client</i> .
Cambio de rotación de imagen	Gira la imagen un ángulo de 180°

Vista del calentador



Función	Descripción
Calentador	Proporciona calor a la cámara para ampliar el rango de temperatura de funcionamiento. El calentador no está incluido en todos los modelos.

Instalación

Herramientas y materiales necesarios

- Destornillador con ranura pequeña (de 2 mm de ancho) para conectar el cable de alimentación cuando no se utilice Power over Ethernet.

Contenido del paquete

Asegúrese de que el paquete contiene lo siguiente:

- Cámara domo IP de alta definición panorámica de Avigilon
- Bloque de terminales
- Clave a prueba de alteraciones T20 TORX
- 3 tornillos y anclajes para muros sólidos
- Plantilla para brocas

Pasos para la instalación

Complete los procedimientos siguientes para instalar la cámara domo.

1. *Extracción de la cubierta domo* en la página 6.
2. *Montaje de la cámara domo* en la página 7.
3. *Conexión de la alimentación* en la página 8.
4. *Orientación de la cámara domo* en la página 9
5. *Conexión al grabador de vídeo en red* en la página 9

Extracción de la cubierta domo

Extraiga la cubierta domo aflojando los 3 tornillos a prueba de alteraciones que fijan la cubierta a la base. Para aflojar los tornillos puede recurrir a la llave a prueba de alteraciones incluida con la cámara domo.

NOTA: Procure no rayar la burbuja domo.

Montaje de la cámara domo

La cámara domo se puede montar en una superficie por si sola o con uno de los cuatro accesorios de montaje de la cámara domo: placa de montaje del cuadro eléctrico para interior, montaje encastrado en techo en interiores, base de montaje en interior/exterior y montaje colgante en interior/exterior.

Para montar la cubierta del domo, lleve cabo los pasos siguientes:

1. Con la plantilla para brocas, horade tres orificios de montaje y un orificio de entrada de cable en el techo/pared. Si está usando un accesorio de montaje de la cámara domo, este paso no es necesario.
2. Introduzca tres tornillos en los orificios de montaje y deje 6 mm entre la cabeza del tornillo y la superficie del techo/muro.
3. Introduzca los cables a través del orificio de entrada del cable en el techo/muro y el orificio de entrada de cable de la cámara domo.
4. Coloque la base del domo en los tornillos usando las ranuras de montaje y gírela hacia la derecha.
5. Apriete los tornillos para sujetar la cámara domo en su sitio.



Advertencia: Utilice únicamente soportes de montaje con aprobación UL adecuados para la superficie de montaje para poder admitir un mínimo de 0,53 kg, más el peso del objetivo acoplado.



Precaución: Esta cámara está pensada solo para uso en interiores.

Si se utiliza en exteriores, se requiere un accesorio de montaje para exteriores.

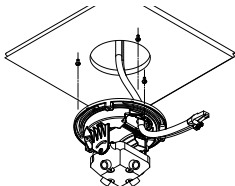


Figura: Instalación de la cámara domo.

Conexión de la alimentación

NOTA: No lleve a cabo este procedimiento si se utiliza Power over Ethernet (POE).

Si PoE no está disponible, la cámara domo debe alimentarse a través del bloque de conector de alimentación extraíble. Consulte los diagramas de esta guía para ubicar el bloque de conector de alimentación.

El dispositivo puede alimentarse con una CC de 12 V o una CA de 24 V. La información sobre el consumo de energía se incluye en las especificaciones del producto.

Para alimentar el bloque de conector de alimentación, lleve cabo los pasos siguientes:

1. Retire el bloque de conector de alimentación del dispositivo.
2. Retire el aislamiento de 6 mm de los cables de alimentación. No dañe los cables.
3. Inserte los dos cables de alimentación en los dos terminales del bloque de conector de alimentación. La conexión puede efectuarse con cualquier polaridad. Utilice un destornillador con ranura pequeña (de 2 mm de ancho) para aflojar y apretar los terminales.
4. Vuelva a colocar el bloque de conector de alimentación en el receptáculo del dispositivo.



Advertencia: Este producto se ha diseñado para ser suministrado por una unidad de alimentación con aprobación UL con la etiqueta “Clase 2”, “LPS” o “Fuente de alimentación limitada” con una salida nominal entre 12 V CC o 24 V CA, 7 W mín. o un PoE nominal de 48 V CC, 7 W mín.

Al seleccionar el cable utilizado para la alimentación, asegúrese de seleccionar un calibre suficiente para la distancia del cableado. Consulte la siguiente tabla para conocer la longitud máxima de cableado en función de los diferentes calibres.

Tabla: Longitud de cableado en función de los diferentes calibres

Calibre de cable		Longitud máxima de recorrido (pies [m])	
AWG	mm ²	24 V CA	12 V CC
24	0,2	164[50]	43[13]
22	0,33	267[81]	71[21]
20	0,5	428[130]	114[34]
18	0,82	680[207]	181[55]
16	1,3	1071[326]	285[87]

Orientación de la cámara domo

1. Afloje los tornillos de montaje.
2. Gire el objetivo a la dirección deseada desplazando la base.
3. Cuando esté satisfecho, asegure la posición de la cámara domo apretando los tornillos de montaje.
4. Si la imagen esta invertida, Gire el conmutador de rotación de imagen para rotar la imagen un ángulo de 180°.

Conexión al grabador de vídeo en red

Importante: Para evitar problemas en la red, utilice únicamente conmutadores de red recomendados por Avigilon.

Conecte la cámara domo a la misma red que el servidor que ejecuta el software Avigilon Control Center. Se asignará automáticamente una dirección IP al dispositivo que detectará el software. Para obtener más información sobre cómo configurar la conexión, consulte la Guía del usuario del software.

Los LED de estado de conexión muestran el progreso de la conexión al servidor y se describen en la siguiente tabla. De forma predeterminada, el LED de estado de conexión se apaga tras conectarse la cámara domo a un servidor.

Tabla: Estados del LED de estado de conexión

Estado de conexión	LED de estado de conexión	Descripción
Sin conexión	Inactivo	No está físicamente conectado a ningún dispositivo de red
Obteniendo una dirección IP	Un parpadeo breve cada segundo	Intentando obtener una dirección IP
Conectando a un servidor	Dos parpadeos breves cada segundo	Se ha obtenido una dirección IP y se está intentando conectar al servidor
Actualizando el firmware	Dos parpadeos breves y un parpadeo largo cada segundo	Actualizando el firmware
Conectado	Activo	Conectado al servidor

Selección de una dirección IP

Una vez conectada a una red, la cámara domo intentará localizar y obtener una dirección IP de un servidor DHCP. Si no es posible, se seleccionará una dirección IP mediante Zeroconf (APIPA).

Si la dirección IP se establece mediante Zeroconf, la dirección IP se encontrará en la subred 169.254.*. Una dirección IP estática puede establecerse desde el software Avigilon Control Center. Para obtener más información, consulte la Guía del usuario del software.

Funciones avanzadas

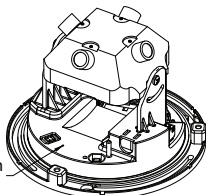
Actualización del firmware

El firmware puede actualizarse por campos a través del software Avigilon Control Center. Para obtener más información sobre cómo se llevan a cabo las actualizaciones del firmware, consulte la Guía del usuario del software.

Es posible que el firmware quede dañado durante una actualización; por ejemplo, si se va la corriente eléctrica durante el proceso de actualización. Si ocurre esto, la cámara domo puede revertirse para ejecutarse desde el firmware de arranque. Una vez que se haya revertido, puede actualizarse como siempre.



Advertencia: Solo debe revertirse al firmware de arranque si el dispositivo no puede iniciarse debido al firmware que está dañado.



Botón de reversión de firmware

Figura: Microconmutador de reversión de firmware en la parte posterior de la cámara.

1. Desconecte la fuente de energía de la cámara.
2. Con la ayuda de un clip enderezado o una herramienta similar, presione ligeramente y mantenga presionado el microconmutador de reversión del firmware.
3. Mientras sigue presionando el microconmutador, encienda el dispositivo. Suelte el microconmutador al cabo de tres segundos.



Precaución: No apriete demasiado. Si introduce demasiado la herramienta, el dispositivo podría dañarse.

Conexión de dispositivos externos

Los dispositivos externos se conectan a través del terminal de E/S. El conector del terminal de E/S se muestra en la tabla y diagrama siguientes. Para obtener más información sobre cómo configurar los dispositivos externos, consulte la Guía del usuario del software.

Tabla: Terminales de E/S externos

Pin	Función	Descripción
1	GND	Tierra para la interfaz RS-485.
2	RS-485 RX/TX+	Interfaz RS-485 dúplex medio para controlar un equipo externo
3	RS-485 RX/TX-	
4	Entrada (-)/Salida A	Pin compartido para la entrada y salida.
5	Entrada (+)	La entrada usa un fotoacoplador y está aislado eléctricamente del circuito interno. El voltaje de entrada no debe superar los 12 V.
6	Salida B	La salida usa un fotoacoplador y está aislado eléctricamente del circuito interno. Las conexiones del terminal de salida (A y B) pueden efectuarse con cualquier polaridad. La salida puede funcionar con una carga máxima de 50 V y 120 mA.

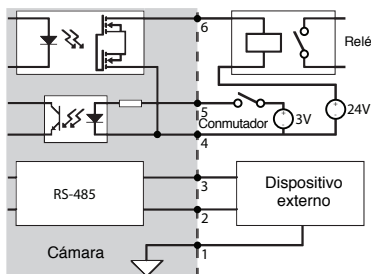


Figura: Esquemas del terminal de E/S externa y ejemplo de aplicación.

Conexión de micrófonos y altavoces

La cámara domo puede conectarse a un micrófono y altavoz externos a través del conector de audio. El conector de audio es una entrada de 3,5 mm para un micrófono mono o una señal mono de entrada de línea. Se utiliza el canal izquierdo de la señal estéreo. Se muestra los diagramas de conexión del conector en el siguiente diagrama.

Para obtener más información sobre cómo configurar la entrada y salida de audio, consulte la Guía del usuario del software.

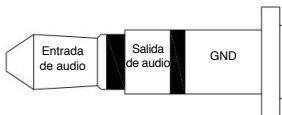


Figura: Conector de audio

Instalación del domo tipo burbuja de sustitución

El domo tipo burbuja se puede sustituir si se daña.

1. Retire la cubierta del domo aflojando los tres tornillos a prueba de alteraciones.
2. Retire los cuatro tornillos y conserve el anillo de retención que cierra la burbuja a la cubierta del domo.
3. Extraiga la burbuja de la cubierta de aluminio y retire la junta tórica.
4. Coloque la junta tórica en la burbuja de sustitución e introdúzcala en la cubierta del domo.
5. Atornille el anillo de retención en la cubierta del domo.

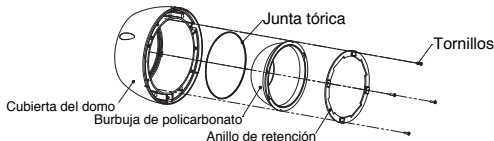


Figura: Unidad del domo tipo burbuja

Limpieza

Cuerpo

Utilice un paño seco o ligeramente humedecido para limpiar el cuerpo de la cámara.



Precaución: No utilice detergentes fuertes o abrasivos para limpiar el cuerpo de la cámara.

Especificaciones

Red	
Red	100Base-TX
Tipo de cableado	CAT5
Conector	RJ-45
Seguridad	SSL
Protocolo	UDP, TCP, SOAP, DHCP, Zeroconf

Mecánicas	
Dimensiones ØxAI	150 mm x 120 mm
Peso	0,91 kg sin objetivo
Domo tipo burbuja	Polycarbonato, transparente
Cuerpo	Aluminio
Carcasa	Montaje en superficie, antivandálico
Acabado	Revestimiento de pintura en polvo, gris frío 2
Rango de ajuste	360° panorámica, 180° inclinación, 180° azimut

Eléctricas	
Fuente de alimentación	V CC: 12-24 V V CA: 24 V PoE: Conforme con IEEE802.3af Clase 3
Consumo de energía	7 W + 5,5 W con opción de calentador
Conector de alimentación	Bloque de terminales de 2 pines

Medioambiental	
Temperatura de funcionamiento	-10 °C a +50 °C -30 °C a +50 °C (con opción de calentador)
Temperatura de almacenamiento	-10 °C a +70 °C
Humedad	Humedad relativa (sin condensación) 20 - 80%

Certificaciones		
Certificaciones	ROHS	WEEE
Medioambiental	Evaluación de impacto IK10	
Emisiones electromagnéticas	FCC Sección 15 Subsección B Clase A	
	IC ICES-003 Clase A	EN 55022 Clase A
	EN 61000-3-2	EN 61000-3-3
	EN 61000-6-3	
Inmunidad electromagnética	EN 50130-4	EN 61000-4-2
	EN 61000-4-3	EN 61000-4-4
	EN 61000-4-5	EN 61000-4-6
	EN 61000-4-11	

Garantía limitada y servicio de asistencia técnica

Avigilon garantiza al comprador-consumidor de origen que este producto no presentará ningún defecto en el material ni la construcción durante un período de 3 años a partir de la fecha de envío. La responsabilidad del fabricante se limita a la sustitución del producto, reparación del producto o sustitución del producto por un producto reparado a criterio del fabricante. Esta garantía no es válida si el producto ha sido dañado accidentalmente, por un uso no razonable, una negligencia, manipulación u otras causas que no se derivan de los defectos de material o construcción. Esta garantía solo se amplía al comprador-consumidor de origen del producto.

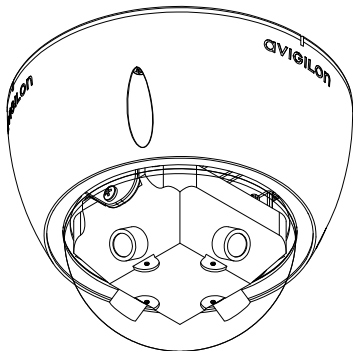
AVIGILON RECHAZA TODAS LAS DEMÁS GARANTÍAS EXPRESAS O IMPLÍCITAS INCLUIDAS, SIN CARÁCTER LIMITATIVO, LAS GARANTÍAS IMPLÍCITAS DE COMERCIABILIDAD O ADECUACIÓN PARA UN FIN PARTICULAR, EXCEPTO EN EL CASO QUE LAS GARANTÍAS IMPLÍCITAS CON ARREGLO A LAS LEYES NO PUEDAN SUSPENDERSE DE FORMA VÁLIDA.

Ninguna información, consejo o representación oral o escrita proporcionada por Avigilon, sus distribuidores, agentes o empleados podrá crear otra garantía o modificar esta garantía. Esta garantía constituye la única responsabilidad de Avigilon y el único recurso del cliente ante Avigilon en cuanto a los fallos de funcionamiento de este producto.

En ningún caso será responsable Avigilon de ningún daño indirecto, incidental, especial, resultante, ejemplar o punitivo de cualquier naturaleza (incluidos a título enunciativo pero no limitativo, los daños derivados de la pérdida de beneficios, pérdida de información empresarial; interrupción de la actividad comercial; daños personales; invasión de la privacidad; fallo en el cumplimiento de las obligaciones como la obligación de buena fe o cuidado razonable; negligencia, y cualquier otro tipo de pérdida pecuniaria) derivado del uso o de la incapacidad para usar el producto, aunque haya sido advertido de la posibilidad de que se produzcan tales daños. Algunas jurisdicciones no permiten la limitación de responsabilidad mencionada arriba, por lo que dicha limitación podría no ser aplicable en su caso.

Esta Garantía limitada le ofrece derechos legales específicos y también puede tener otros derechos que variarán de jurisdicción a jurisdicción.

El servicio de garantía y de asistencia técnica están a su disposición en el Servicio de asistencia técnica de Avigilon en el teléfono 1.888.281.5182 o en la dirección de correo electrónico support@avigilon.com.



Guida d'installazione

**Modello di telecamere Avigilon Dome IP
Panoramica ad alta definizione:**

8.0MP-HD-DOME-360

Informazioni importanti sulla sicurezza

Il presente manuale fornisce informazioni relative all'installazione e al funzionamento, nonché precauzioni d'uso della telecamera dome. Un'installazione non corretta potrebbe causare un guasto inaspettato. Prima di installare questa apparecchiatura leggere attentamente il presente manuale. Fornire il presente manuale al proprietario dell'apparecchiatura per usi futuri.



I simboli di avviso indicano la presenza di voltaggio pericoloso all'interno o all'esterno dell'involucro del prodotto che potrebbe costituire un rischio di scossa elettrica, gravi danni o decesso di persone, se le dovute precauzioni non saranno prese.



I simboli di attenzione mettono in guardia l'utente dalla presenza di rischi che potrebbero causare danni minori o moderati alle persone, alla proprietà e al prodotto stesso, se le dovute precauzioni non saranno prese.



Avviso — Il mancato rispetto delle seguenti istruzioni potrebbe causare gravi danni o la morte.

- Non usare vicino all'acqua o esporre a gocce o schizzi. Non appoggiare oggetti contenenti liquidi sopra il dispositivo.
- Non esporre alla pioggia o all'umidità.
- Solo per uso in interno.
Se utilizzato all'esterno, è necessario un adattatore approvato per installazioni in esterno o relativa copertura. Per maggiori informazioni consultare Avigilon.
- L'installazione deve essere eseguita esclusivamente da personale qualificato ed essere conforme a tutte le norme vigenti.
- Il presente prodotto è stato progettato per essere alimentato da unità di alimentazione marcate "Class 2" o "LPS" o "Limit Power Source" UL-elencati ad alimentazione in uscita di 12 VDC o 24 VAC, 7 W min. oppure PoE a 48 VDC, 7 W min. W min.

- Qualsiasi fonte esterna di alimentazione collegata al presente dispositivo può essere collegata solo ad altro prodotto Avigilon della stessa serie di modelli. I collegamenti per alimentazione esterna devono essere adeguatamente isolati.
- Non collegare direttamente alla rete di alimentazione per nessuna ragione.



Attenzione — Il mancato rispetto delle seguenti istruzioni potrebbe provocare danni alla telecamera dome.

- Non installare vicino a fonti di calore come termosifoni, bocchette di diffusione di aria calda o altre fonti di calore.
- Non sottoporre i cavi ad eccessiva tensione, carico o compressione.
- Non aprire o smontare il dispositivo. Non vi sono parti soggette a manutenzione da parte dell'utente.
- Per tutte le procedure di assistenza rivolgersi a personale qualificato.
L'assistenza può essere necessaria in caso di danneggiamento del dispositivo (per fuoriuscita di liquidi o caduta di oggetti), esposizione alla pioggia o all'umidità, malfunzionamento o caduta dello stesso.
- Non usare detergenti forti o abrasivi per pulire il corpo del dispositivo.
- Utilizzare esclusivamente accessori raccomandati da Avigilon.
- Evitare di lasciare il sensore immagine esposto per periodi di tempo prolungati. Coprire sempre il sensore immagine con un obiettivo o con un coperchio antipolvere.
- Non permettere alla polvere, all'umidità o a qualsiasi altro detrito estraneo di entrare all'interno dell'attacco dell'obiettivo.
- Non toccare mai nessun elemento in vetro presente all'interno dell'attacco dell'obiettivo.
- Non puntare l'obiettivo direttamente verso il sole o altri oggetti estremamente luminosi o si rischia di danneggiare il sensore immagine.
- L'esecuzione di controlli, modifiche e procedure diverse da quelle specificate nel presente documento potrebbero causare rischi di esposizione alle radiazioni.

Avvisi del regolatore

Questo dispositivo è conforme alla parte 15 delle norme FCC. L'uso è soggetto alle due seguenti condizioni: (1) il dispositivo non può causare interferenze dannose e (2) il dispositivo deve sopportare le eventuali interferenze ricevute, incluse quelle che possono causare un funzionamento indesiderato.

Questo prodotto è conforme a IEC 60825-1 (A2:2001) - PRODOTTO A LED CLASSE 1. Potenza massima irradiata in uscita: 740 mW.

Questa apparecchiatura digitale di classe A è conforme allo standard canadese ICES-003.

Avviso FCC

La presente apparecchiatura è stata testata e certificata conformemente ai limiti previsti per i dispositivi digitali di classe A, secondo la Parte 15 delle norme FCC. Tali limiti sono stati pensati per fornire una protezione appropriata contro interferenze nocive quando l'apparecchiatura è in funzione in un ambiente commerciale. La presente apparecchiatura genera, utilizza e può irradiare energia a frequenza radio e, se non installata ed impiegata secondo quanto specificato nel manuale delle istruzioni, può causare interferenze dannose per le comunicazioni radio. Il funzionamento della presente apparecchiatura in un'area residenziale potrebbe causare interferenze dannose; in tale caso all'utente verrà richiesto di correggere le interferenze a proprie spese.

Cambiamenti o modifiche apportati alla presente apparecchiatura non espressamente approvati da Avigilon Corporation o componenti dell'Avigilon Corporation potrebbe invalidare l'autorizzazione dell'utente all'utilizzo della presente apparecchiatura.

Informazioni sullo smaltimento e il riciclaggio

Al termine del ciclo di vita del presente prodotto, smaltire lo stesso secondo la normativa e le linee guida locali sullo smaltimento dei rifiuti.

Unione Europea:



Questo simbolo significa che secondo le norme e i regolamenti locali il prodotto dovrebbe essere smaltito separatamente dai rifiuti domestici. Al termine del ciclo di vita di questo prodotto, recarsi in un punto di raccolta rifiuti predisposto dalle autorità locali. Alcuni punti di raccolta rifiuti accettano prodotti gratuitamente. La raccolta separata e il riciclaggio di questo prodotto al momento dello smaltimento aiuterà a preservare le risorse naturali e ad assicurare che sia riciclato secondo modalità pensate per proteggere la vita umana e l'ambiente.

Altri avvisi

Avviso di compilazione e pubblicazione

Il presente manuale è stato compilato e pubblicato includendo le descrizioni e le specifiche degli ultimissimi prodotti. Il contenuto di questo manuale e le specifiche di questo prodotto sono soggetti a modifiche senza preavviso. Avigilon si riserva il diritto di effettuare modifiche senza preavviso relative a specifiche e materiali ivi contenuti e non sarà responsabile di alcun danno (inclusi quelli derivanti) causato dall'affidamento sul materiale presentato, inclusi (ma senza limitazione) gli errori tipografici e altri tipi di errori relativi alla pubblicazione.

Avviso sulla proprietà intellettuale

Nessuna licenza viene concessa per implicazione o altrimenti relativamente a nessun progetto industriale e relativi diritti, brevetto e relativi diritti o copyright di proprietà di Avigilon Corporation o dei suoi concessionari. I marchi di fabbrica e i marchi registrati sono di proprietà dei rispettivi proprietari.

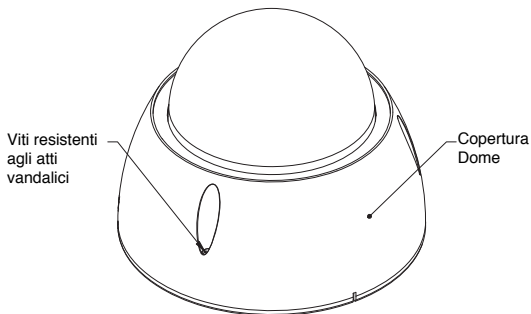
Parti del software in questo prodotto sono concesse in licenza con licenza eCos. La distribuzione di eCos prevede che il codice sorgente di eCos sia reso disponibile per i clienti Avigilon. La licenza eCos e il codice sorgente di eCos sono disponibili per il pubblico all'indirizzo <http://www.avigilon.com/ecoslicense>. Avigilon si riserva tutti i diritti su tutti i software non compresi nella licenza eCos. Ciò comprende tutte le parti del software che non sono distribuite ad Avigilon come parte del sistema operativo di eCos.

Indice dei contenuti

Presentazione	1
Prospettiva della copertura	1
Prospettiva del lato inferiore	2
Prospettiva anteriore	3
Prospettiva posteriore	4
Prospettiva del Riscaldatore	5
Installazione	6
Strumenti e materiali necessari	6
Contenuto confezione	6
Passaggi per l'installazione	6
Rimozione del coperchio del dome	6
Montaggio della telecamera Dome	7
Connessione dell'alimentazione	8
Puntamento della Telecamera Dome	9
Connessione a NVR	9
Selezione indirizzo IP	10
Funzionalità avanzate	11
Aggiornamento del firmware	11
Connessione di dispositivi esterni	12
Connessione di microfoni e altoparlanti	13
Installazione cupola di ricambio del dome	13
Pulizia	14
Corpo	14
Specifiche	15
Garanzia limitata e Assistenza tecnica	16

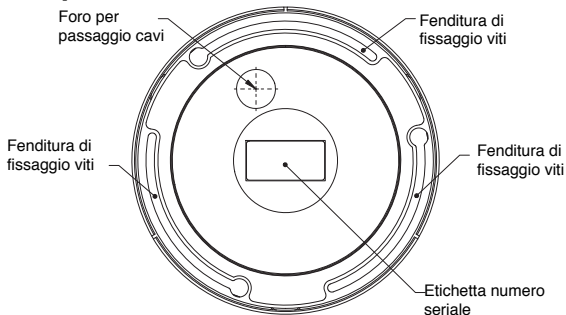
Presentazione

Prospettiva della copertura



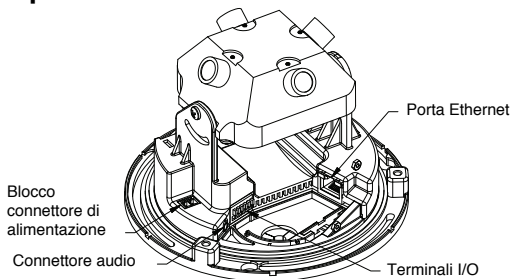
Funzione	Descrizione
Copertura Dome	La copertura del dome resistente agli atti vandalici è stata realizzata in alluminio con cupola in policarbonato.
Viti resistenti agli atti vandalici	Viti antimanomissione imperdibili con sezione a stella per fissare la copertura esterna del dome alla base.

Prospettiva del lato inferiore



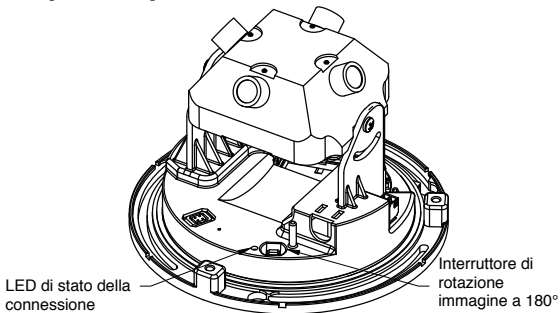
Funzione	Descrizione
Foro per passaggio cavi	Un foro per passaggio cavi di rete, di alimentazione e I/O.
Fenditura di fissaggio viti	Punti di installazione per la telecamera dome.
Etichetta numero seriale	Numero seriale prodotto ed etichetta numero ricambio.

Prospettiva anteriore



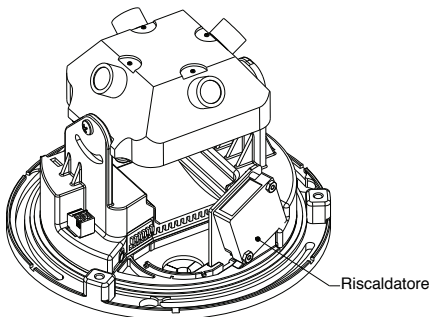
Funzione	Descrizione
Porta Ethernet	Abilita una connessione Ethernet ad una rete. La comunicazione con il server e la trasmissione dei dati immagine avviene attraverso questa connessione. Riceve inoltre alimentazione quando connessa ad una rete che fornisce Power over Ethernet. La porta Ethernet ha due luci di stato che indicano il collegamento (sinistra) e l'attività (destra).
Blocco connettore di alimentazione	Abilita un blocco terminazione con connessione d'alimentazione AC o DC. L'ingresso DC può essere di entrambe le polarità. Necessario solo in mancanza di alimentazione Power over Ethernet.
Connettore audio	Supporta un ingresso da 3,5 mm da un microfono esterno (il microfono non è incluso nella confezione). Per maggiori informazioni vedere la sezione sulla connessione di microfoni esterni.
Terminali I/O	Fornisce connessioni a dispositivi esterni di entrata/uscita. Per maggiori informazioni vedere la sezione sulla connessione di dispositivi esterni.

Prospettiva posteriore



Funzione	Descrizione
LED di stato della connessione	Fornisce informazioni relative alla connessione di rete. Per maggiori informazioni, vedere la sezione sulla connessione a NVR. Il LED di stato della connessione può essere spento per operare in installazioni nascoste. Per maggiori informazioni consultare il <i>Manuale d'uso di Avigilon Control Center Client</i> .
Interruttore di rotazione immagine	Ruotare l'immagine con un angolo di 180°

Prospettiva del Riscaldatore



Funzione	Descrizione
Riscaldatore	Fornisce calore alla telecamera per estendere la gamma di temperatura operativa. Il riscaldatore non è incluso in tutti i modelli.

Installazione

Strumenti e materiali necessari

- Piccolo cacciavite a taglio da 2 mm — per il collegamento all'alimentazione se non si utilizza Power over Ethernet.

Contenuto confezione

Assicurarsi che la confezione contenga i seguenti articoli:

- Telecamere Avigilon Dome IP Panoramica ad alta definizione
- Blocco terminazione
- Chiave a stella T20 resistente alle manomissioni
- 3 viti e tasselli di fissaggio a muro
- Dima di foratura

Passaggi per l'installazione

Completare le seguenti procedure per installare la telecamera dome.

1. *Rimozione del coperchio del dome* a pagina 6.
2. *Montaggio della telecamera Dome* a pagina 7.
3. *Connessione dell'alimentazione* a pagina 8.
4. *Puntamento della Telecamera Dome* a pagina 9
5. *Connessione a NVR* a pagina 9

Rimozione del coperchio del dome

Rimuovere il coperchio del dome svitando le 3 viti antimanomissione che fissano il coperchio alla base. La chiave antiapertura inclusa nella telecamera dome può essere utilizzata per svitare le viti.

NOTA: Fare attenzione a non graffiare la cupola del dome.

Montaggio della telecamera Dome

La telecamera dome può essere installata su una superficie per proprio conto o con l'ausilio dei quattro accessori di montaggio: piastra da interno per montaggio su scatola elettrica, supporto a soffitto per interno, base per installazione interno/esterno e supporto sospeso per installazione interno/esterno.

Per installare la telecamera dome, completare i seguenti passaggi:

1. Utilizzando la dima di foratura, praticare tre fori di montaggio ed un foro per passaggio cavi nel soffitto/muro. Se si utilizza un accessorio di montaggio della telecamera dome, saltare questo passaggio.
2. Inserire tre viti nei fori di montaggio, lasciando 6 mm ($\frac{1}{4}$ di pollice) tra la testa della vite e la superficie del soffitto/muro.
3. Spingere i cavi attraverso il foro per passaggio cavi nel soffitto/muro e il foro per passaggio cavi fino all'interno della telecamera dome.
4. Posizionare la base della telecamera dome sulle viti utilizzando la fenditura di fissaggio viti e ruotarla in senso orario.
5. Stringere le viti per fissare la telecamera dome in posizione.



Avviso — Utilizzare esclusivamente staffe di montaggio UL-elencate adatte alla superficie d'installazione e in grado di sostenere un peso minimo di 0,53 kg (1.2 lbs), più il peso dell'obiettivo collegato.



Attenzione — Questa telecamera è stata realizzata esclusivamente per un uso all'interno

Per l'impiego in esterno, è necessario utilizzare l'apposito accessorio di montaggio per l'esterno.

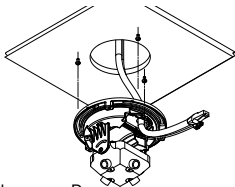


Figura : Installazione telecamera Dome.

Connessione dell'alimentazione

NOTA: Non eseguire questa procedura se si impiega un'alimentazione Power over Ethernet (POE).

Se PoE non è disponibile, la telecamera deve necessariamente essere alimentata attraverso un blocco connettore di alimentazione removibile. Fare riferimento ai diagrammi presenti in questa guida per la location del blocco connettore di alimentazione.

Il dispositivo può essere alimentato da 12 VDC o 24 VAC. Le informazioni sul consumo energetico sono elencate nelle specifiche del prodotto.

Per la connessione dell'alimentazione al blocco connettore di alimentazione, completare i seguenti passaggi:

1. Rimuovere il blocco connettore di alimentazione dal dispositivo.
2. Rimuovere l'isolamento dei cavi di alimentazione da ¼" di pollice (6 mm).
Non tagliare o danneggiare i cavi.
3. Inserire i due cavi di alimentazione nei due terminali presenti sul blocco connettore di alimentazione. La connessione può essere fatta con entrambe le polarità. Utilizzare un piccolo cacciavite a taglio (misura di 2 mm) per allentare e stringere i terminali.
4. Ricollegare il blocco connettore di alimentazione nel contenitore sul dispositivo.



Avviso — Il presente prodotto è stato progettato per essere alimentato da unità di alimentazione marcate "Class 2" o "LPS" o "Limit Power Source" UL-elencati ad alimentazione in uscita di 12 VDC o 24 VAC, 7 W min. oppure PoE a 48 VDC, 7 W min.

Quando si seleziona il cavo usato per portare l'alimentazione, assicurarsi di selezionare un calibro che sia abbastanza potente per la distanza di cablaggio. Fare riferimento alla seguente tabella per la massima lunghezza di cavo per differenti calibri.

Tabella: Lunghezza cavo per differenti calibri

Calibro cavo		Massima Distanza raggiungibile (m)	
AWG	mm ²	24 VAC	12 VDC
24	0,2	164[50]	43[13]
22	0,33	267[81]	71[21]
20	0,5	428[130]	114[34]
18	0,82	680[207]	181[55]
16	1,3	1071[326]	285[87]

Puntamento della Telecamera Dome

1. Svitare le viti di montaggio.
2. Ruotare gli obiettivi nella direzione desiderata ruotando tutta la base.
3. Una volta raggiunto il risultato, assicurare la posizione della telecamera dome stringendo le viti di montaggio.
4. Se l'immagine appare capovolta, utilizzare l'interruttore di rotazione dell'immagine per ruotare l'immagine con un angolo di 180°.

Connessione a NVR

Importante: Per evitare problemi di rete, utilizzare solo interruttori di rete raccomandati da Avigilon.

Connettere la camera dome alla stessa rete del server su cui gira il software Avigilon Control Center. Un indirizzo IP è automaticamente assegnato al dispositivo e sarà rilevato dal software. Per maggiori informazioni sulle modalità di configurazione, consultare il manuale d'uso del software.

I LED di stato della connessione mostrano l'andamento della connessione al server e sono descritti nella seguente tabella. Per configurazione di default, il LED di stato della connessione si spegne dopo che la telecamera dome si è connessa al server

Tabella:Stati dei LED di stato della connessione

Stato della connessione	LED di stato della connessione	Descrizione
No link	Spento	Fisicamente non connesso a nessun dispositivo di rete
Acquisizione indirizzo IP in corso	Un breve flash ogni secondo	Tentativo in corso di acquisire un indirizzo IP
Connessione al server in corso	Due brevi flash ogni secondo	E' stato acquisito un indirizzo IP ed è in corso il tentativo di connessione al server
Aggiornament o firmware in corso	Due brevi flash ed uno lungo ogni secondo	Aggiornamento del firmware in corso
Connesso	Acceso	Connesso al server

Selezione indirizzo IP

Una volta connessa ad una rete, la telecamera dome tenterà di localizzare ed acquisire un indirizzo IP dal server DHCP. In caso di fallimento, sarà selezionato un indirizzo IP usando Zeroconf (APIPA).

Se l'indirizzo IP è stato impostato usando Zeroconf, l'indirizzo IP sarà nel sottorete 169.254.* Un indirizzo IP statico può essere impostato dal software Avigilon Control Center; consultare il manuale d'uso del software per dettagli.

Funzionalità avanzate

Aggiornamento del firmware

Il firmware può essere aggiornato sul campo attraverso il software Avigilon Control Center. Consultare il manuale d'uso del software per dettagli sulle modalità di aggiornamento del firmware.

È possibile che il firmware risulti corrotto durante un aggiornamento — ad esempio, se si interrompe l'alimentazione durante il processo di aggiornamento. In questo caso, la telecamera dome potrà ritornare a funzionare dal firmware di bootstrap. Una volta ripristinato, il dispositivo potrà essere aggiornato come di consueto.



Avviso — Ritornare al firmware di bootstrap solo se il dispositivo non riesce ad avviarsi a causa del firmware corrotto.

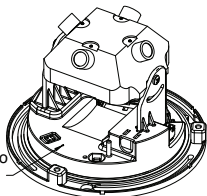


Figura : Il microinterruttore di riavvio del firmware si trova sulla parte posteriore della telecamera.

1. Scollegare l'alimentazione dalla telecamera.
2. Utilizzando una graffetta aperta o uno strumento simile, premere delicatamente il microinterruttore di riavvio del firmware.
3. Mentre si continua a premere sul microinterruttore, collegare l'alimentazione del dispositivo. Lasciare il microinterruttore dopo tre secondi.



Attenzione — Non esercitare una forza eccessiva. Spingere la graffetta o lo strumento troppo affondo danneggia il dispositivo.

Connessione di dispositivi esterni

I dispositivi esterni sono connessi attraverso il terminale I/O. Lo schema di disposizione dei contatti dei terminali I/O è illustrato nella seguente tabella e diagramma. Consultare il manuale d'uso del software per dettagli sulle modalità di configurazione dei dispositivi esterni.

Tabella: Terminali I/O esterni

Pin	Funzione	Descrizione
1	GND	Massa per interfaccia RS-485.
2	RS-485 RX/TX+	Interfaccia RS-485 half-duplex per il controllo dell'apparecchiatura esterna
3	RS-485 RX/TX-	
4	Ingresso (-)/Uscita A	Pin condiviso per ingresso e uscita.
5	Ingresso (+)	L'ingresso utilizza un fotoaccoppiatore ed è elettricamente isolato dal circuito interno. Il voltaggio di ingresso non dovrebbe superare i 12 V.
6	Uscita B	L'uscita utilizza un fotoaccoppiatore ed è elettricamente isolato dal circuito interno. Le connessioni dei terminali di uscita (A e B) possono essere fatti con entrambe le polarità. L'uscita può portare un carico massimo di 50 V e 120 mA.

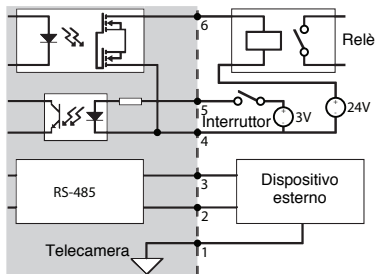


Figura : Schemi dei terminali esterni I/O ed esempi di applicazione.

Connessione di microfoni e altoparlanti

La telecamera può essere connessa a microfoni e altoparlanti attraverso un connettore audio. Il connettore audio è un ingresso da 3,5 mm per un microfono mono o un segnale mono line-in. Viene impiegato il canale sinistro del segnale stereo. Lo schema di disposizione dei contatti del connettore è illustrato nel seguente diagramma.

Consultare il manuale d'uso del software per dettagli sulle modalità di configurazione dell'ingresso e dell'uscita audio.

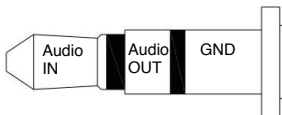


Figura : Connettore audio

Installazione cupola di ricambio del dome

La cupola del dome può essere sostituita se danneggiata.

1. Rimuovere la copertura del dome svitando le 3 viti antimanomissioni.
2. Rimuovere le 4 viti e l'anello di ritenuta che fissano la cupola alla copertura del dome.
3. Estrarre la cupola dalla copertura in alluminio del dome e rimuovere l'O-ring di guarnizione.
4. Spostare l'O-ring sulla cupola di ricambio ed inserirla nella copertura del dome.
5. Avvitare l'anello di ritenuta nella copertura del dome.

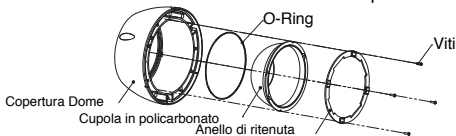


Figura : Assemblaggio cupola del dome

Pulizia

Corpo

Utilizzare un panno asciutto o leggermente inumidito per pulire il corpo della telecamera.



Attenzione — Non usare detergenti forti o abrasivi per pulire il corpo della camera.

Specifiche

Rete	
Rete	100Base-TX
Tipo di cablaggio	CAT5
Connettore	RJ-45
Sicurezza	SSL
Protocollo	UDP, TCP, SOAP, DHCP, Zeroconf
Meccaniche	
Dimensioni ØxH	150 mm x 120 mm 5.9" x 4.7"
Peso	0,91 kg senza obiettivo
Cupola dome	Polycarbonato, chiaro
Corpo	Alluminio
Alloggiamento	Superficie di montaggio, resistente agli atti vandalici
Finitura	Rivestimento con verniciatura a polvere, cool gray 2
Range di regolazione	360° pan, 180° tilt, 180° azimuth
Elettriche	
Alimentazione	VDC: 12-24 V VAC: 24 V PoE: Conforme IEEE802.3af Classe 3
Consumo energetico	7 W + 5.5 W per opzione con riscaldatore
Connettore di alimentazione	Blocco terminazione a 2 pin
Ambientali	
Temperatura operativa	-10 °C fino a +50 °C -30 °C fino a +50 °C (opzione con riscaldatore)
Temperatura di funzionamento NVR	-10 °C fino a +70 °C
Umidità	Umidità relativa 20 - 80% (senza condensa)
Omologazioni	
Omologazioni	ROHS WEEE
Ambientali	Grado di protezione contro gli impatti IK10
Emissioni elettromagnetiche	Classe A sottoparte B della Parte 15 delle norme FCC IC ICES-003 Classe A EN 55022 Classe A EN 61000-3-2 EN 61000-3-3 EN 61000-6-3
Schermatura elettromagnetica	EN 50130-4 EN 61000-4-3 EN 61000-4-5 EN 61000-4-11 EN 61000-4-2 EN 61000-4-4 EN 61000-4-6

Garanzia limitata e Assistenza tecnica

Avigilon garantisce all'acquirente/consumatore finale che questo prodotto è privo di difetti relativi al materiale e alla fabbricazione per un periodo di 3 anni dalla data di acquisto. La responsabilità del produttore nei termini della presente garanzia è limitata alla sostituzione del prodotto, alla riparazione dello stesso o alla sostituzione del prodotto con un prodotto riparato, a discrezione del produttore. La presente garanzia non è valida se il prodotto è stato danneggiato accidentalmente o per un uso improprio, per negligenza, per manomissione o altre cause non dovute a difetti legati al materiale o alla fabbricazione. La presente garanzia si estende esclusivamente all'acquirente/consumatore finale del presente prodotto.

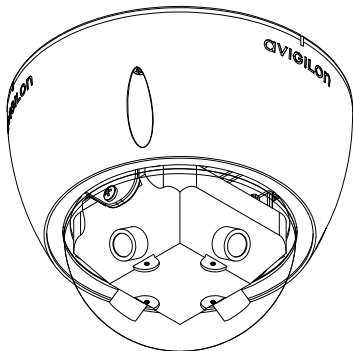
AVIGILON NON RICONOSCE NESSUN ALTRA GARANZIA ESPLICITA O IMPLICITA INCLUSA, MA SENZA LIMITAZIONE, QUALSIASI GARANZIA IMPLICITA DI COMMERCIALIZZABILITÀ E IDONEITÀ PER UN PARTICOLARE SCOPO - AD ECCEZIONE DEI LIMITI AI QUALI QUALSIASI GARANZIA PER LEGGE NON PUÒ VALIDAMENTE RINUNCIARE.

Nessuna informazione, avviso o immagine, in forma scritta o orale, fornita da Avigilon, i suoi distributori, agenti o dipendenti dovrà creare una garanzia diversa dalla presente o modificare quest'ultima. La presente garanzia dichiara la piena responsabilità di Avigilon e l'esclusivo rimedio giuridico dell'utente contro Avigilon per qualsiasi difetto del prodotto che ne impedisca il corretto funzionamento.

In nessun caso Avigilon sarà responsabile per qualsiasi danno indiretto, accidentale, particolare, conseguente, tipico o punitivo o per qualunque altra cosa (inclusi, ma non limitatamente a, danni dovuti alla perdita di profitti o di informazioni confidenziali o di altro tipo, all'interruzione dell'attività, a danni arrecati alla persona, alla perdita di privacy, al mancato rispetto di qualsiasi dovere inclusa la buona fede o la ragionevole cura, alla negligenza e a qualsiasi altro danno economico o perdita) che possa derivare dall'uso o dall'impossibilità di utilizzo del prodotto, anche se avvisata della possibilità di tali danni. Dal momento che alcune giurisdizioni non permettono il tipo di limitazione sopra citata, la stessa potrebbe non essere applicata all'utente.

La presente garanzia limitata conferisce a l'utente specifici diritti legali e l'utente potrebbe disporre anche di altri diritti che possono variare da giurisdizione a giurisdizione.

Ci si può avvalere del servizio di garanzia e dell'assistenza tecnica contattando l'Assistenza Tecnica Avigilon per telefono al numero 1.888.281.5182 o via e-mail all'indirizzo di posta elettronica support@avigilon.com.



Installationsanleitung

Avigilon HD IP-Dom-Panoramakameramodelle:
8.OMP-HD-DOME-360

Wichtige Sicherheitsinformationen

Dieses Handbuch enthält Installations- und Bedienungsinformationen für den Einsatz dieser Dom-Kamera. Die unsachgemäße Installation kann zu unerwarteten Defekten führen. Lesen Sie sich dieses Handbuch vor der Installation dieses Gerätes sorgfältig durch. Überlassen Sie dem Inhaber des Gerätes dieses Handbuch für den zukünftigen Gebrauch.



Das Symbol „Warnung“ verweist auf das Vorhandensein gefährlicher Spannung innerhalb und außerhalb des Gehäuses des Produkts, und bezeichnet die Gefahr eines Stromschlags, schwerer Verletzung oder des Todes von Personen, wenn die ordnungsgemäßen Vorsichtsmaßnahmen nicht eingehalten werden.



Das Symbol „Vorsicht“ macht den Anwender auf das Vorhandensein von Risiken aufmerksam, die zu kleinen oder geringfügigen Personenverletzungen, zu Sachbeschädigung oder zu Schäden am Produkt selbst führen können, wenn die ordnungsgemäßen Vorsichtsmaßnahmen nicht eingehalten werden.



Warnung – Die Nichtbefolgung der folgenden Anweisungen kann zu schweren Verletzungen oder zum Tod führen.

- Nicht in der Nähe von Wasser verwenden oder Wassertropfen oder -spritzern aussetzen. Keine mit Flüssigkeit gefüllten Objekte oberhalb des Gerätes abstellen.
- Vor Regen oder Feuchtigkeit schützen.
- Nur für die Anwendung im Innenbereich. Bei der Anwendung im Außenbereich ist ein für den Außenbereich zugelassener Montageadapter zu verwenden. Weitere Informationen dazu erhalten Sie von Avigilon.
- Die Installation darf nur von Fachpersonal durchgeführt werden und muss sämtlichen lokalen Normen entsprechen.
- Dieses Produkt ist vorgesehen für die Verwendung mit einem UL-gelisteten Netzanschluss mit der Bezeichnung „Klasse 2“ oder „LPS“ oder „Limited Power Source“ mit einer Ausgangsleistung von 7 W min. bei 12 VDC oder 24 VAC oder PoE mit 48 VDC, 7 W min.

- Die an dieses Produkt angeschlossene externe Stromversorgung kann ausschließlich mit weiteren Avigilon-Produkten derselben Modellserie verwendet werden. Externe Stromverbindungen müssen ordnungsgemäß isoliert sein.
- Niemals direkt an das Versorgungsnetz anschließen.



Vorsicht – Die Nichteinhaltung der folgenden Anweisungen kann zu Verletzungen oder zur Beschädigung der Dom-Kamera führen.

- Unterlassen Sie die Installation in der Nähe von Wärmequellen wie Radiatoren, Heizregistern, Herden oder anderen Wärmequellen.
- Setzen Sie die Kabel keiner übermäßigen Belastung, schweren Lasten oder Quetschungen aus.
- Öffnen oder zerlegen Sie das Gerät nicht. Es gibt keine zu wartenden Teile.
- Lassen Sie die gesamte Wartung von Fachpersonal ausführen. Eine Wartung kann erforderlich werden, wenn das Gerät beschädigt wurde (beispielsweise durch verschüttete Flüssigkeit oder heruntergefallene Gegenstände), Regen oder Feuchtigkeit ausgesetzt wurde, nicht ordnungsgemäß funktioniert oder fallengelassen wurde.
- Verwenden Sie keine starken Reinigungsmittel oder Scheuermittel, wenn Sie den Kamerakörper reinigen.
- Verwenden Sie nur von Avigilon empfohlenes Zubehör.
- Vermeiden Sie es, den Bildsensor über einen längeren Zeitraum belichtet zu lassen. Verdecken Sie stets den Bildsensor mit einem Objektiv oder einer Staubschutzkappe.
- Verhindern Sie, dass Staub, Feuchtigkeit oder sonstige Fremdkörper in den Objektiv-Mount eindringen.
- Berühren Sie niemals die gläsernen Elemente innerhalb des Objektiv-Mounts.
- Richten Sie das Objektiv niemals direkt auf die Sonne oder andere extrem helle Objekte, da dies den Bildsensor beschädigen könnte.
- Durch die Verwendung der Steuerungen, Adaptierungen oder die Durchführung anderer Vorgänge, die nicht in diesem Dokument beschrieben sind, können gefährliche Strahlungen freigesetzt werden.

Regulierungshinweise

Dieses Gerät entspricht Abschnitt 15 der FCC-Bestimmungen. Der Betrieb unterliegt zwei Bedingungen: (1) Das Gerät darf keine Funkstörungen verursachen und darf (2) durch von außen verursachte Störungen nicht beeinflusst werden.

Dieses Produkt entspricht den Richtlinien IEC 60825-1 (A2:2001) – PRODUKTE DER LASERKLASSE 1. Maximal abgestrahlte Abgabeleistung: 740 MW.

Dieses Digitalgerät der Klasse A entspricht der kanadischen Norm ICES-003.

FCC-Hinweis

Dieses Gerät wurde getestet und entspricht den Grenzwerten digitaler Geräte der Klasse A gemäß Abschnitt 15 der FCC-Bestimmungen. Diese Grenzwerte bieten ausreichenden Schutz gegen schädliche Interferenzen, wenn das Gerät in kommerziellen Umgebungen eingesetzt wird. Das Gerät erzeugt und verwendet hochfrequente Schwingungen, die es abstrahlen kann, und kann, wenn es nicht nach der Bedienungsanleitung installiert und verwendet wird, funktechnische Störungen verursachen. Der Betrieb in Wohngebieten wird voraussichtlich funktechnische Störungen verursachen, die der Nutzer auf eigene Kosten zu korrigieren hat.

Änderungen oder Modifizierungen an diesem Gerät, die nicht ausdrücklich von Avigilon Corporation oder von durch Avigilon Corporation autorisierten Stellen genehmigt wurden, können die Benutzerberechtigung dieses Gerätes außer Kraft setzen.

Informationen zur Entsorgung und Wiederverwendung

Wenn dieses Produkt das Ende der Nutzungsdauer erreicht hat, entsorgen Sie es bitte gemäß Ihren örtlichen Gesetzen und Bestimmungen zum Umweltschutz.

Europäische Union:



Dieses Symbol bedeutet, dass Ihr Produkt gemäß den örtlichen Gesetzen und Bestimmungen separat vom Hausmüll entsorgt werden soll. Wenn dieses Produkt das Ende der Nutzungsdauer erreicht hat, bringen Sie es zu einer von den örtlichen Behörden dafür vorgesehenen Sammelstelle. Einige Sammelstellen nehmen Produkte kostenlos entgegen. Die separate Sammlung und Wiederverwendung Ihres Produktes zur Zeit der Entsorgung dient der Konservierung natürlicher Ressourcen und stellt sicher, dass es so wieder verwertet wird, dass menschliche Gesundheit und Umwelt keinen Schaden nehmen.

Zusätzliche Notizen

Kompilierungs- und Publikationshinweis

Dieses kompilierte und veröffentlichte Handbuch enthält die neuesten Produktbeschreibungen und Spezifikationen. Inhalt und Spezifikationen dieses Handbuchs können ohne Vorankündigung geändert werden. Avigilon behält sich das Recht vor, an den hierin enthaltenen Spezifikationen und Materialien Änderungen ohne Vorankündigung vorzunehmen und ist nicht verantwortlich für eventuelle Schäden (einschließlich Folgeschäden), die durch Verlassen auf das vorhandene Material entstanden, einschließlich, aber nicht beschränkt auf typographische und andere Fehler dieser Publikation.

Urheberrecht und geistiges Eigentum

Es wird Ihnen weder stillschweigend noch auf andere Art eine Lizenz gemäß einem Industriedesign, Industriedesign-Rechten, Patentrechten oder Urheberrechten von Avigilon Corporation oder seinen Lizenzgebern verliehen. Marken und eingetragene Warenzeichen sind Eigentum der jeweiligen Inhaber.

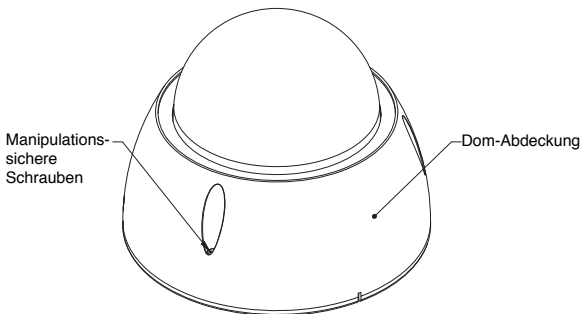
Teile der Software dieses Produkts unterliegen der eCos-Lizenz. Die Verbreitung von eCos erfordert, dass Avigilon der eCos-Quellcode zur Verfügung gestellt wird. Die eCos-Lizenz und der eCos-Quellcode sind der Öffentlichkeit zugänglich unter <http://www.avigilon.com/ecoslicense>. Avigilon behält sich alle Rechte an jeglicher Software vor, die nicht der eCos-Lizenz unterliegt. Dies umfasst alle Teile der Software, die Avigilon nicht als Teil des eCos-Betriebssystems bereitgestellt wurden.

Inhalt

Überblick	1
Ansicht der Abdeckung	1
Unteransicht	2
Vorderansicht	3
Rückansicht	4
Ansicht des Heizaggregats	5
Installation	6
Erforderliche Werkzeuge und Materialien	6
Im Lieferumfang enthalten	6
Installationsschritte	6
Entfernen der Dom-Abdeckung	6
Befestigung der Dom-Kamera	7
Anschluss der Stromversorgung	8
Ausrichten der Dom-Kamera	9
Herstellen einer Verbindung mit dem Netzwerk-Videorekorder	9
Auswahl der IP-Adresse	10
Fortschrittliche Funktionen	11
Firmware-Upgrade	11
Anschluss an externe Geräte	12
Verbindung zu Mikrofon und Lautsprechern	13
Installation einer Dom-Ersatzkuppel	13
Reinigung	14
Körper	14
Spezifikationen	15
Garantiebedingungen und t echnischer Support	17

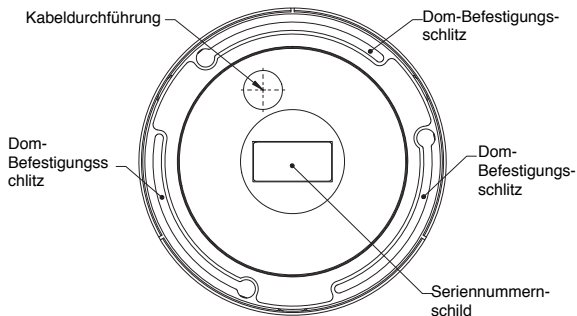
Überblick

Ansicht der Abdeckung



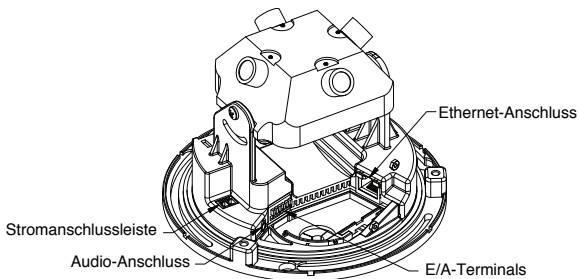
Funktion	Beschreibung
Dom-Abdeckung	Vandalismusgeschützte Dom-Abdeckung aus Aluminium mit einer Polycarbonat-Kuppel.
Manipulationssichere Schrauben	Vandalismussichere, unverlierbare TORX-Schrauben für die Fixierung der Dome-Verkleidung am Unterteil.

Unteransicht



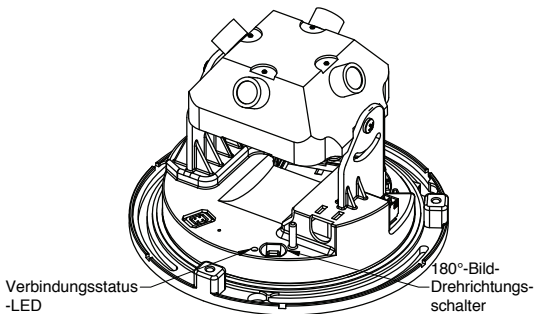
Funktion	Beschreibung
Kabeldurchführung	Eine Kabeldurchführung für Netzwerk-, Stromversorgungs- und Ein-/Ausgangskabel.
Dom-Befestigungsschlitz	Befestigungspunkte für die Dom-Kamera.
Seriennummernschild	Serien- und Teilenummernschild.

Vorderansicht



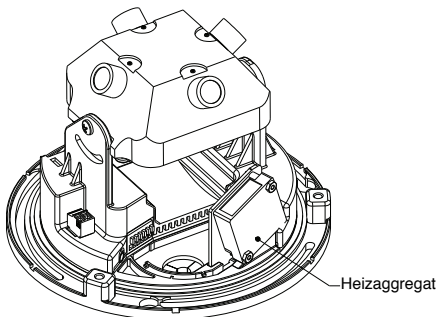
Funktion	Beschreibung
Ethernet-Anschluss	<p>Akzeptiert eine Ethernet-Verbindung zu einem Netzwerk. Die Kommunikation mit dem Server und die Bilddaten-Übertragung laufen über diese Verbindung. Beim Anschluss an ein Netzwerk, das PoE bereitstellt, findet die Stromversorgung hierüber statt.</p> <p>Der Netzwerk-Anschluss verfügt über zwei Status-Lämpchen, die Auskunft über den Link (links) und die Aktivität (rechts) geben.</p>
Stromanschlussleiste	<p>Nimmt eine Klemmleiste mit Gleich- oder Wechselspannungs-Stromversorgung auf. Die Gleichspannung kann beliebiger Polarität sein. Nur erforderlich, wenn kein PoE verfügbar ist.</p>
Audio-Anschluss	<p>Für eine Eingangskapazität von 3,5 mm eines externen Mikrofon (Mikrofon nicht enthalten). Weiterführende Informationen finden Sie im Abschnitt über das Verbinden mit externen Geräten.</p>
E/A-Terminals	<p>Stellt Verbindungsmöglichkeiten zu externen E/A-Geräten bereit. Weiterführende Informationen finden Sie im Abschnitt über das Verbinden mit externen Geräten.</p>

Rückansicht



Funktion	Beschreibung
Verbindungsstatus-LED	<p>Liefert Informationen über die Netzwerkverbindung. Weiterführende Informationen finden Sie in dem Abschnitt über das Verbinden mit dem Netzwerk-Videorekorder.</p> <p>Die Verbindungsstatus-LED lässt sich für den Betrieb in verdeckten Installationen abschalten. Weitere Informationen finden sie unter: <i>Avigilon Control Center Client Benutzerhandbuch</i></p>
Bild-Drehrichtungsschalter	Dreht das Bild in einem Winkel von 180°.

Ansicht des Heizaggregats



Funktion	Beschreibung
Heizaggregat	Versorgt die Kamera mit Wärme, um den Betriebstemperaturbereich zu erweitern. Das Heizaggregat ist nicht im Lieferumfang für alle Modelle enthalten.

Installation

Erforderliche Werkzeuge und Materialien

- Kleiner Schlitz-Schraubendreher mit 5/64" oder 2 mm breiter Klinge – zum Anschließen der Stromversorgung, falls kein Power over Ethernet verwendet wird.

Im Lieferumfang enthalten

Achten Sie darauf, dass Folgendes im Lieferpaket enthalten ist:

- Avigilon HD IP-Dom-Panoramakamera
- Abschlussblock
- Manipulationssicherer T20 TORX-Schlüssel
- 3 Schrauben und Dübel für massives Mauerwerk
- Bohrlehre

Installationsschritte

Sie müssen zur Installation der Dom-Kamera die folgenden Vorgänge ausführen.

1. *Entfernen der Dom-Abdeckung* auf Seite 6.
2. *Befestigung der Dom-Kamera* auf Seite 7.
3. *Anschluss der Stromversorgung* auf Seite 8.
4. *Ausrichten der Dom-Kamera* auf Seite 9
5. *Herstellen einer Verbindung mit dem Netzwerk-Videorekorder* auf Seite 9

Entfernen der Dom-Abdeckung

Entfernen Sie die Dom-Abdeckung durch Lösen der drei manipulationssicheren Schrauben, die die Abdeckung am Unterteil fixieren. Der manipulationssichere Schlüssel, der mit der Dom-Kamera ausgeliefert wird, kann zum Lösen der Schrauben verwendet werden.

HINWEIS: Seien Sie vorsichtig, damit Sie die Kuppel nicht verkratzen.

Befestigung der Dom-Kamera

Die Kamera kann für sich auf einer Oberfläche montiert werden oder mit einem der vier Montagezubehörsätze für Dom-Kameras: Deckenplatte zur Montage des Elektrogehäuses im Innenbereich, Einbausatz zum Deckeneinbau im Innenbereich, Montagesatz für den Innen- und Außenbereich und Montagesockel für die abgehängte Montage für den Innen- und Außenbereich.

Gehen Sie zum Montieren der Dom-Kamera wie folgt vor:

1. Bohren Sie mit Hilfe der Bohrlehre drei Montagelöcher und ein Kabeldurchführungsloch in die Decke/Wand. Wenn Sie das Montagezubehör für die Dom-Kamera verwenden, ist dieser Schritt nicht erforderlich.
2. Drehen Sie drei Schrauben in die Montagelöcher und lassen Sie zwischen dem Schraubenkopf und der Decke/Wand einen Abstand von 6 mm frei.
3. Ziehen Sie die Kabel durch die Kabeldurchführungen der Decke/Wand und der Dom-Kamera.
4. Platzieren Sie die Schlüsselochbefestigungsschlitze des Dom-Unterteils auf die Schrauben und drehen Sie es im Uhrzeigersinn.
5. Ziehen Sie die Schrauben an, um die Dom-Kamera zu fixieren.



Warnung – Verwenden Sie ausschließlich UL-gelistete Montageplatten, die zu der Befestigungsoberfläche passen und mindestens 0,53 kg plus das Gewicht des verwendeten Objektivs tragen können.



Vorsicht – Diese Kamera ist ausschließlich zur Verwendung im Innenbereich gedacht.

Bei der Anwendung im Außenbereich ist ein Montagezubehörsatz für den Außenbereich erforderlich.

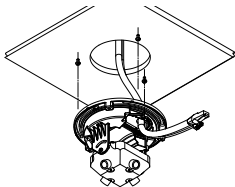


Abbildung Installation der Dom-Kamera

Anschluss der Stromversorgung

HINWEIS: Führen Sie diese Schritte nicht durch, wenn sie Power over Ethernet (POE) verwenden.

Sollte PoE nicht verfügbar sein, muss die Dom-Kamera mittels der abnehmbaren Stromanschlussleiste versorgt werden. Die Position der Stromanschlussleiste entnehmen Sie bitte den Diagrammen in diesem Leitfaden.

Das Gerät kann sowohl mit 12 VDC als auch mit 24 VAC betrieben werden. Die Angaben zum Stromverbrauch entnehmen Sie bitte der Produktspezifikation.

Um die Stromanschlussleiste mit Strom zu versorgen, führen Sie die folgenden Schritte aus:

1. Entfernen Sie die Stromanschlussleiste vom Gerät.
2. Entfernen Sie 6 mm der Isolierung des Stromkabels.
Fügen Sie den Kabeln keine Kerben hinzu und beschädigen Sie diese nicht.
3. Stecken Sie die beiden Stromkabel in die beiden Klemmen auf der Stromanschlussleiste. Die Verbindung kann beliebige Polarität haben.
Benutzen Sie einen kleinen Schlitzschraubendreher (5/64" oder 2 mm Klingenbreite), um die Schrauben der Leiste zu lösen und anzuziehen.
4. Befestigen Sie die Stromanschlussleiste an der dafür vorgesehen Aussparung am Gerät.



Warnung – Dieses Produkt ist vorgesehen für die Verwendung mit einem UL-gelisteten Netzanschluss mit der Bezeichnung „Klasse 2“ oder „LPS“ oder „Limited Power Source“ mit einer Ausgangsleistung von 7 W min. bei 12 VDC oder 24 VAC oder PoE mit 48 VDC, 7 W min.

Bei der Auswahl des Kabels für die Stromversorgung, achten Sie darauf, eine Drahtstärke auszuwählen, die schwer genug für die Kabellänge ist. Die folgende Tabelle gibt einen Überblick über die maximalen Kabellängen bei verschiedenen Drahtstärken.

Tabelle:Kabellänge bei verschiedenen Drahtstärken

Drahtstärke		Maximale Lauflänge (ft [m])	
AWG-Querschnitt	mm ²	24 VAC	12 VDC
24	0,2	164[50]	43[13]
22	0,33	267[81]	71[21]
20	0,5	428[130]	114[34]
18	0,82	680[207]	181[55]
16	1,3	1071[326]	285[87]

Ausrichten der Dom-Kamera

1. Lösen Sie die Montageschrauben.
2. Drehen Sie die Objektive durch Drehen des Sockels in die gewünschte Richtung.
3. Wenn Sie die gewünschte Ausrichtung gefunden haben, sichern Sie die Kameraposition durch Anziehen der Montageschrauben.
4. Sollte das Bild auf dem Kopf stehen, tippen Sie auf den Bild-Drehrichtungsschalter, um es um 180° zu drehen.

Herstellen einer Verbindung mit dem Netzwerk-Videorekorder

Wichtig: Um Netzwerkproblemen vorzubeugen, verwenden Sie ausschließlich von Avigilon empfohlene Netzwerk-Switches.

Verbinden Sie die Dom-Kamera mit demselben Netzwerk, in dem sich der Server mit der Avigilon Kontroll-Software befindet. Dem Gerät wird automatisch eine IP-Adresse zugewiesen und von der Software erkannt. Für weiterführende Informationen über die Netzwerkkonfiguration ziehen Sie bitte das Software-Benutzerhandbuch heran.

Die Verbindungsstatus-LEDs zeigen den Fortschritt der Verbindung mit dem Server an und sind in der folgenden Tabelle beschrieben. In der Grundeinstellung geht die Status-LED der Dom-Kamera nach dem Verbinden mit einem Server aus.

Tabelle:Verbindungsstatus-LED Zustände

Verbindungsstatus	Verbindungsstatus-LED	Beschreibung
Kein Link	Aus	Nicht physikalisch mit einem Netzwerkgerät verbunden
IP-Adresse wird abgerufen	Ein kurzes Blinken pro Sekunde	Es wird versucht, eine IP-Adresse abzurufen
Serververbindung wird hergestellt	Zweimaliges, kurzes Blinken pro Sekunde	Eine IP-Adresse wurde erfolgreich abgerufen und versucht, eine Verbindung mit dem Server herzustellen
Firmware wird aktualisiert	Zweimaliges, kurzes Blinken sowie einmaliges, langes Blinken pro Sekunde	Firmware wird aktualisiert
Verbunden	An	Mit dem Server verbunden

Auswahl der IP-Adresse

Sobald sie mit einem Netzwerk verbunden wird, versucht die Dom-Kamera einen DHCP-Server zu finden und eine IP-Adresse zu beziehen. Sollte dies scheitern, wird Zeroconf (APIPA) zur Auswahl einer IP-Adresse verwendet.

Wenn die IP-Adresse mittels Zeroconf gesetzt wurde, befindet sie sich im Subnetz 169.254.*. Eine statische IP-Adresse kann über die Avigilon Control Center Software vergeben werden. Näheres hierzu schlagen Sie bitte im Software-Benutzerhandbuch nach.

Fortschrittliche Funktionen

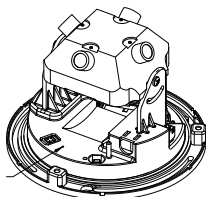
Firmware-Upgrade

Die Firmware kann vor Ort mittels der Avigilon Control Center Software aktualisiert werden. Für Details zum Firmware-Upgrade ziehen Sie bitte das Software-Benutzerhandbuch heran.

Es ist möglich, dass die Firmware während eines Upgrades korruptiert wird, beispielsweise dann, wenn die Stromversorgung während des Vorgangs unterbrochen wird. Sollte dies vorkommen, kann die Firmware der Dom-Kamera wieder in den Auslieferungszustand zurück versetzt werden. Ist dies geschehen, können Upgrades wieder wie gewöhnlich durchgeführt werden.



Warnung – Versetzen Sie die Firmware nur wieder dann in den Auslieferungszustand, wenn das Gerät aufgrund korrupter Firmware nicht mehr startet.



Reset-Taste zur Wiederherstellung des Firmware-Standards

Abbildung Position des Mikroschalters zur Wiederherstellung des Firmware-Status auf der Rückseite der Kamera.

1. Trennen Sie die Kamera von der Stromversorgung.
2. Verwenden Sie eine gerade gezogene Büroklammer oder etwas ähnliches, um vorsichtig den Mikroschalter für das Zurücksetzen der Firmware zu betätigen.
3. Lassen Sie den Mikroschalter gedrückt und versorgen Sie die Kamera mit Strom. Lassen Sie den Mikroschalter nach drei Sekunden los.



Vorsicht – Wenden Sie keine Gewalt an. Zu tiefes Einführen des Werkzeugs führt zur Beschädigung des Gerätes.

Anschluss an externe Geräte

Externe Geräte werden über das E/A-Terminal an die Kamera angeschlossen. Die Klemmenbelegung des E/A-Terminals ist in der folgenden Tabelle und dem folgenden Diagramm veranschaulicht. Für Details zur Konfiguration externer Geräte ziehen Sie bitte das Software-Benutzerhandbuch heran.

Tabelle: Externe E/A-Terminals

Klemme	Funktion	Beschreibung
1	Masse	Masse der RS-485 Schnittstelle.
2	RS-485 RX/TX+	Halbduplex-RS-485-Schnittstelle zur Steuerung externer Gerätschaften
3	RS-485 RX/TX-	
4	Eingang (-) / Ausgang A	Geteilte Klemme für Ein- und Ausgang.
5	Eingang (+)	Der Eingang verfügt über einen Fotokoppler und ist elektrisch vom inneren Schaltkreis isoliert. Die Eingangsspannung sollte 12 V nicht überschreiten.
6	Ausgang B	Der Ausgang verfügt über einen Fotokoppler und ist elektrisch vom inneren Schaltkreis isoliert. Die Ausgangsterminal-Verbindungen (A und B) können beliebige Polarität haben. Der Ausgang ist maximal mit 50 V und 120 mA belastbar.

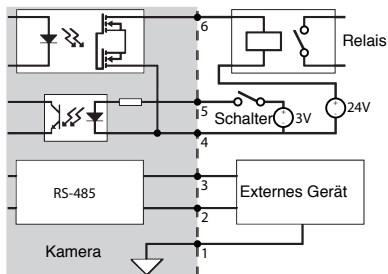


Abbildung: Schaltbild des externen E/A-Terminals und Beispielanwendung.

Verbindung zu Mikrofon und Lautsprechern

Die Dom-Kamera kann über den Audio-Anschluss mit einem externen Mikrofon und Lautsprechern verbunden werden. Der Audio-Anschluss hat eine Eingangskapazität von 3,5 mm (1/8") für ein Mono-Mikrofon oder ein Monosignal mit Line-Pegel. Der linke Kanal des Stereosignals wird verwendet. Die Pinbelegung des Anschlusses wird im folgenden Diagramm verdeutlicht.

Für Details zur Konfiguration des Audio-Eingangs und Ausgangs ziehen Sie bitte das Software-Benutzerhandbuch heran.

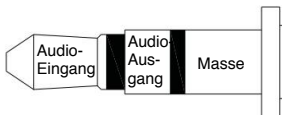


Abbildung Audio-Anschluss.

Installation einer Dom-Ersatzkuppel

Die Domkuppel kann ersetzt werden, wenn sie beschädigt ist.

1. Lösen Sie die 3 manipulationssicheren Schrauben, um die Dom-Abdeckung zu entfernen.
2. Entfernen Sie die 4 Schrauben und den Haltering, durch die die Kuppel an der Dom-Abdeckung befestigt sind.
3. Ziehen Sie die Kuppel aus der Aluminium-Abdeckung und entfernen Sie den O-Ring.
4. Bringen Sie den O-Ring auf der Ersatzkuppel an und setzen Sie diese in die Dom-Abdeckung ein.
5. Schrauben Sie den Haltering in die Dom-Abdeckung.

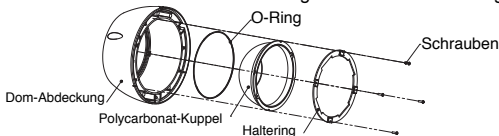


Abbildung Domkuppelmontage

Reinigung

Körper

Verwenden Sie ein trockenes oder leicht angefeuchtetes Tuch, um den Kamerakörper zu reinigen.



Vorsicht – Verwenden Sie keine starken Reinigungsmittel oder Scheuermittel, wenn Sie die Kamera reinigen.

Spezifikationen

Netzwerk	
Netzwerk	100BASE-TX
Kabeltyp	CAT5
Anschluss	RJ-45
Sicherheit	SSL
Protokoll	UDP, TCP, SOAP, DHCP, Zeroconf
Mechanische	
Abmessungen ØxH	150mm x 120mm 5,9" x 4,7"
Gewicht	0,91 kg ohne Linse
Domkuppel	Polycarbonat, hell
Körper	Aluminium
Gehäuse	Oberflächenmontage, vandalismusbeständig
Finish	Pulverbeschichtung, kühles grau 2
Einstellbereich	360° Schwenk-, 180° Kipp-, 180° Azimuteinstellung
Elektrisch	
Stromquelle	VDC: 12-24 V VAC: 24 V PoE: IEEE802.3af Klasse 3 kompatibel
Stromverbrauch	7 W + 5.5 W mit optionaler Heizung
Versorgungsanschluss	2-Pin Abschlussblock
Umgebungsbedingungen	
Betriebstemperatur	-10 °C bis +50 °C (14 °F bis 122 °F) -30°C bis +50°C (-22 °F bis 122 °F) (mit optionaler Heizung)
Lagertemperatur	-10°C bis +70 °C (14 °F bis 158 °F)
Feuchtigkeit	20 - 80% Relative Luftfeuchtigkeit (nicht kondensierend)
Zertifizierungen	
Zertifizierungen	ROHS WEEE
Umgebungsbedingungen	IK10 Stoßfestigkeit
Elektromagnetische Emissionen	FCC Abschnitt 15 Unterklasse B Klasse A IC ICES-003 Klasse A EN 55022 Klasse A EN 61000-3-2 EN 61000-3-3 EN 61000-6-3
Elektromagnetische Störfestigkeit	EN 50130-4 EN 61000-4-2 EN 61000-4-3 EN 61000-4-4 EN 61000-4-5 EN 61000-4-6 EN 61000-4-11

Garantiebedingungen und technischer Support

Avigilon garantiert dem Originalkäufer für einen Zeitraum von 3 Jahren ab Kaufdatum, dass dieses Produkt frei von Material- und Verarbeitungsschäden ist. Die Herstellerhaftung ist auf den Ersatz des Produktes, dessen Reparatur oder Ersatz durch ein repariertes Produkt beschränkt, je nach Ermessen des Herstellers. Diese Garantie erlischt, wenn das Produkt durch Unfall, unangemessenen Gebrauch, Verwahrlosung, Manipulation oder aus anderen Gründen beschädigt wurde, die nicht auf Fehlern des Materials oder der Verarbeitung beruhen. Diese Garantie ist auf den Originalkäufer des Produktes begrenzt.

AVIGILON SCHLIESST ALLE ANDEREN AUSDRÜCKLICHEN ODER STILLSCHWEIGENDEN GARANTIEEN AUS, EINSCHLIESSLICH, UND OHNE EINSCHRÄNKUNG, DIE STILLSCHWEIGENDE ZUSAGE DER VERKAUFSFÄHIGKEIT ODER EIGNUNG FÜR EINEN BESTIMMTEN ZWECK, MIT AUSNAHME GESETZLICH VORGESCHRIEBENER GARANTIEEN, DIE NICHT RECHTSGÜLTIG AUSGESCHLOSSEN WERDEN KÖNNEN.

Mündliche oder schriftliche Informationen, Ratschläge oder Darstellungen von Avigilon, seinen Vertriebsfirmen, Händlern, Agenten oder Mitarbeitern bringen keine weitere Garantie oder die Modifizierung dieser Garantie hervor. Diese Garantie stellt Avigilons gesamte Haftung sowie Ihren ausschließlichen Anspruch gegen Avigilon im Falle eines Ausfalls dieses Produktes dar.

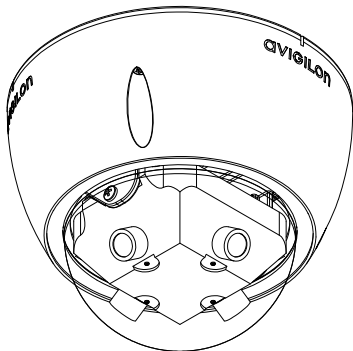
Avigilon ist in keinem Fall haftbar zu machen für indirekte, zufällige, spezielle, beispielhafte Folge- oder Bußgeldschäden jeder Art (einschließlich, ohne sich jedoch darauf zu beschränken, für Schäden durch entgangenen Gewinn oder durch vertrauliche oder sonstige Informationen, für Betriebsunterbrechung, Personenschaden, Datenschutzverletzung, Pflichtverletzung, einschließlich Treuepflicht und angemessene Sorgfalt, für Fahrlässigkeit und jeglichen anderen finanziellen oder anders gearteten Verlust), die aus der Verwendung des Produktes entstehen, selbst wenn auf die Möglichkeit solcher Schäden hingewiesen wurde. Da einige Gerichtsbarkeiten die vorstehenden Haftungsbeschränkungen nicht anerkennen, sind solche Beschränkungen möglicherweise für Sie nicht zutreffend.

Diese beschränkte Gewährleistung räumt Ihnen bestimmte Ansprüche ein; daneben können Sie, je nach Gerichtsbarkeit, auch über weitergehende Ansprüche verfügen.

Um Garantiedienstleistungen und technischen Support zu erhalten, setzen Sie sich telefonisch mit Avigilons technischem Support unter 1.888.281.5182 in Verbindung oder senden Sie eine E-Mail an support@avigilon.com.

AVIGILON

THE BEST EVIDENCE™



Guia de Instalação

Modelo de câmera panorâmica Avigilon
Dome IP de alta definição:

8.0MP-HD-DOME-360

Informações de Segurança Importantes

Este manual fornece informações de instalação e operação bem como de precauções para o uso desta câmera dome. A instalação incorreta poderia provocar falha inesperada. Antes de instalar o equipamento, leia com atenção este manual. Forneça este manual ao proprietário do equipamento para uso futuro.



O símbolo de Aviso indica a presença de voltagem perigosa dentro e fora do compartimento do produto, o que pode constituir risco de choque elétrico, lesões graves ou morte das pessoas se as devidas precauções não forem seguidas.



O símbolo de Cuidado alerta o usuário para a presença de perigos que podem causar danos leves ou moderados a pessoas, danos à propriedade ou danos ao produto propriamente dito, se as devidas precauções não forem seguidas.



Aviso — Deixar de observar as seguintes instruções pode resultar em ferimentos graves ou morte.

- Não use próximo à água nem exponha a gotículas ou respingos. Não coloque objetos que contenham líquidos acima do dispositivo.
- Não exponha à chuva ou umidade.
- Somente para uso interno.
Se for usado em ambientes externos, um adaptador ou compartimento montado externamente é necessário. Consulte a Avigilon para obter mais informações.
- A instalação deve ser realizada por pessoal qualificado e deve estar em conformidade com todas as normas locais.
- Este produto é destinado a ser fornecido por uma unidade de alimentação relacionada em UL, identificada como de “Classe 2” ou “LPS” ou “Fonte de alimentação limitada”, com saída nominal de 12 VCC ou 24 VCA, 7 W mín. ou Alimentação via Ethernet (PoE), classificada como 48 VCC, 7 W mín.

- Qualquer fonte de alimentação externa conectada a este produto somente pode ser conectada a outro produto Avigilon da mesma série do modelo. As conexões de alimentação externas deverão ser devidamente isoladas.
- Não conecte diretamente à rede elétrica qualquer que seja o motivo.



Cuidado — Deixar de observar as seguintes instruções pode resultar em ferimentos ou danos à câmera dome.

- Não instale próximo a nenhuma fonte de calor, como radiadores, aquecedores, fogões ou outras fontes de calor.
- Não exponha os cabos a pressão excessiva, cargas pesadas ou compressão.
- Não lubrifique nem desmonte o dispositivo. Não há nenhuma peça que possa ser reparada pelo usuário.
- Solicite toda a manutenção ao pessoal qualificado. Talvez seja necessário realizar a manutenção quando o dispositivo estiver danificado (como em função de um líquido derramado ou objetos caídos), exposto à chuva ou umidade, não funcionar normalmente ou tiver caído.
- Não utilize detergentes fortes ou abrasivos durante a limpeza do corpo do dispositivo.
- Use apenas acessórios recomendados pela Avigilon.
- Evite deixar o sensor de imagem exposto por longos períodos de tempo. Sempre cubra o sensor de imagem com uma lente ou uma tampa contra poeira.
- Não permita que a poeira, umidade ou quaisquer outros detritos estranhos entrem na montagem da lente.
- Jamais toque em quaisquer elementos de vidro dentro da montagem da lente.
- Não aponte a lente diretamente para o sol ou outros objetos extremamente brilhantes, pois isso pode danificar o sensor de imagem.
- O uso de controles, ajustes e desempenho dos procedimentos que não sejam os especificados neste manual podem resultar em exposição prejudicial a radiação.

Avisos do Regulador

Este dispositivo está em conformidade com a parte 15 das Normas da FCC. A operação está sujeita às seguintes condições: (1) Este dispositivo não poderá causar interferência prejudicial e (2) Este dispositivo deverá aceitar qualquer interferência recebida, incluindo interferências que possam causar operação indesejada.

Este produto está em conformidade com IEC 60825-1 (A2: 2001) - CLASSE 1 PARA PRODUTOS DE LED. Alimentação máxima de saída com radiação: 740 mW.

Este aparelho digital de Classe A está de acordo com o padrão canadense ICES-003.

Aviso da FCC

Este equipamento foi testado e aprovado em conformidade com os limites de um dispositivo digital de Classe A, de acordo com a Parte 15 das normas da FCC. Esses limites foram projetados para fornecer proteção razoável contra interferência danosa quando o equipamento for operado em um ambiente comercial. Este equipamento gera, utiliza e pode irradiar energia de radiofrequência e, se não for instalado e utilizado de acordo com o manual de instruções, pode causar interferências nocivas nas comunicações via rádio. É provável que o funcionamento deste equipamento em uma área residencial cause interferências nocivas; nesse caso, o usuário precisará corrigir a interferência à própria custa.

Alterações ou modificações feitas a este equipamento que não sejam aprovadas expressamente pela Avigilon Corporation ou terceiros autorizados pela Avigilon Corporation podem anular a autoridade do usuário de operar este equipamento.

Informações de Descarte e Reciclagem

Quando este produto atingir o fim de sua vida útil, descarte-o de acordo com as leis e diretrizes ambientais.

União Europeia:



Este símbolo significa que, de acordo com as leis e regulamentos locais, o produto deve ser descartado separadamente do lixo doméstico. Quando este produto atingir o fim de sua vida útil, leve-o até um ponto de coleta designado pelas autoridades locais. Alguns pontos de coleta aceitam produtos gratuitamente. A coleta seletiva e a reciclagem do produto no momento do descarte ajudarão a preservar os recursos naturais e assegure-se de que seja reciclado de forma que proteja a saúde humana e o meio ambiente.

Outros Avisos

Aviso de Compilação e Publicação

Este manual foi compilado e publicado abrangendo as últimas descrições e especificações do produto. O conteúdo deste manual e as especificações deste produto estão sujeitos a alterações sem prévio aviso. A Avigilon se reserva o direito de fazer alterações sem prévio aviso nas especificações e materiais contidos no presente e não será responsável por quaisquer danos (incluindo consequenciais) causados por confiança nos materiais apresentados, incluindo, mas sem limitação, erros tipográficos e outros relacionados com a publicação.

Direitos de Propriedade Intelectual

Nenhuma licença é concedida por implicação ou, de outra forma, sob nenhum design industrial, direito de design industrial, patentes, direitos de patente ou direitos autorais da Avigilon Corporation ou seus licenciantes. Todas as marcas comerciais e registradas pertencem a seus respectivos proprietários.

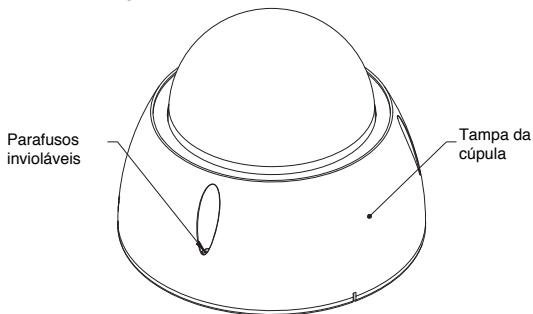
Partes do software deste produto estão licenciadas sob a Licença eCos. A distribuição das eCos requer que o código-fonte eCos seja disponibilizado aos clientes Avigilon. A Licença eCos e o código-fonte eCos estão disponíveis para o público no site <http://www.avigilon.com/ecoslicense>. A Avigilon se reserva todos os direitos a todos os softwares não abrangidos pela licença eCos. Isso inclui todas as partes do software que não foram distribuídas à Avigilon como parte do sistema operacional ECOS.

Índice

Visão geral	1
Visualização da tampa	1
Vista inferior	2
Vista dianteira	3
Vista traseira	4
Visualização do aquecedor	5
Instalação	6
Ferramentas e Materiais Necessários	6
Conteúdo da embalagem	6
Etapas de instalação	6
Remoção da Tampa da Cúpula	6
Montagem da câmera dome	7
Conexão da Alimentação	8
Direcionando a Câmera Dome	9
Conexão do Gravador de Vídeo em Rede ..	9
Seleção do Endereço IP	10
Recursos avançados	11
Atualização do Firmware	11
Conectando-se a dispositivos externos	12
Conectando-se a microfones e alto-falantes	13
Instalação da circunferência da cúpula de substituição	13
Limpeza	14
Corpo	14
Especificações	15
Garantia Limitada e Suporte Técnico	16

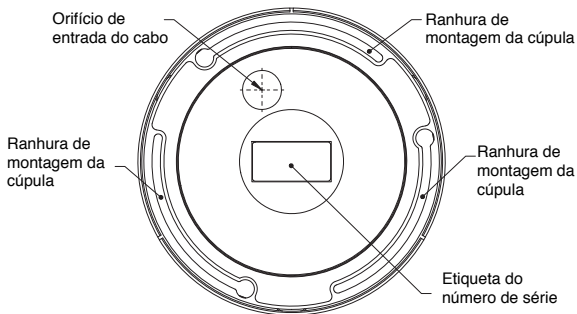
Visão geral

Visualização da tampa



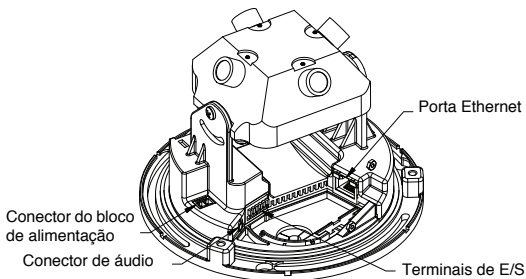
Recurso	Descrição
Tampa da cúpula	Tampa da cúpula à prova de vandalismo, fabricada em alumínio com circunferência de policarbonato.
Parafusos invioláveis	Parafusos TORX invioláveis para fixar a tampa da cúpula à base.

Vista inferior



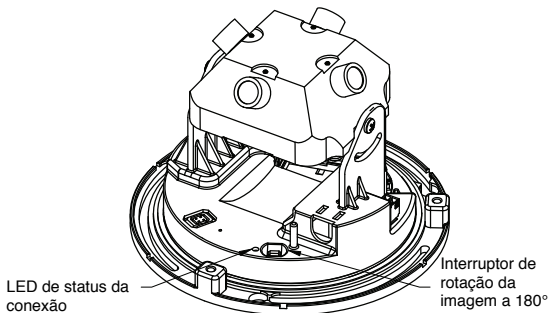
Recurso	Descrição
Orifício de entrada do cabo	Um orifício de entrada para cabos de rede, alimentação e E/S.
Ranhuira de montagem da cúpula	Pontos de montagem para a câmera dome.
Etiqueta do número de série	Número de série do produto e rótulo do número da peça.

Vista dianteira



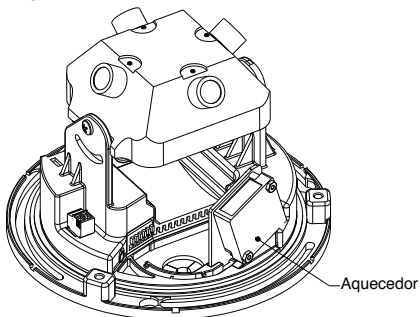
Recurso	Descrição
Porta Ethernet	Aceita uma conexão Ethernet a uma rede. A comunicação do servidor e a transmissão dos dados de imagem ocorrem por meio dessa conexão. Além disso, recebe alimentação quando está conectada a uma rede que oferece Alimentação via Ethernet. A porta Ethernet tem duas luzes de status que indicam a conexão (à esquerda) e a atividade (direita).
Conector do bloco de alimentação	Aceita um bloco de terminais com conexão de alimentação CA ou CC. A entrada CC pode ter qualquer polaridade. Necessário somente quando a Alimentação via Ethernet não estiver disponível.
Conector de áudio	Aceita uma entrada de 3,5 mm a partir de um microfone externo (microfone não incluído). Consulte a seção sobre conexão de microfones para obter mais informações.
Terminais de E/S	Fornecer conexões para dispositivos de entrada/saída externa. Consulte a seção sobre conexão de dispositivos externos para obter mais informações.

Vista traseira



Recurso	Descrição
LED de status da conexão	<p>Fornece informações sobre a conexão de rede. Consulte a seção sobre conexão ao gravador de vídeo em rede para obter mais informações.</p> <p>O LED de Status da Conexão pode ser desligado para operação em instalações secretas. Consulte o <i>Guia do Usuário do Cliente do Centro de Controle Avigilon</i> para obter mais informações.</p>
Interruptor de rotação de imagem	<p>Gira a imagem em um ângulo de 180°</p>

Visualização do aquecedor



Recurso	Descrição
Aquecedor	Fornece calor à câmara para ampliar a faixa de temperatura operacional. O aquecedor não está incluído em todos os modelos.

Instalação

Ferramentas e Materiais Necessários

- Chave de fenda pequena com uma lâmina medindo 5/64” ou 2 mm de espessura — para conexão da energia quando não estiver usando a Alimentação via Ethernet.

Conteúdo da embalagem

Assegure-se de que o pacote contenha o seguinte:

- Câmera panorâmica Avigilon Dome IP panorâmica de alta definição
- Bloco de terminais
- Tecla inviolável T20 TORX
- 3 parafusos e âncoras para paredes sólidas
- Matriz de perfuração

Etapas de instalação

Realize os seguintes procedimentos para instalar a câmera dome.

1. *Remoção da Tampa da Cúpula* na página 6.
2. *Montagem da câmera dome* na página 7.
3. *Conexão da Alimentação* na página 8.
4. *Direcionando a Câmera Dome* na página 9
5. *Conexão do Gravador de Vídeo em Rede* na página 9

Remoção da Tampa da Cúpula

Remova a tampa da cúpula soltando os três parafusos invioláveis que fixam a tampa à base. A chave inviolável incluída com a câmera dome pode ser utilizada para soltar os parafusos.

OBSERVAÇÃO: Cuidado para não arranhar a circunferência da cúpula.

Montagem da câmera dome

A câmera dome pode ser montada em uma superfície própria ou usar um dos quatro acessórios de montagem da câmera dome: placa de montagem do compartimento elétrico interno, montagem interna no teto, base de montagem interna/externa e montagem suspensa interna/externa.

Para montar a câmera dome, siga as etapas abaixo:

1. Usando a matriz de perfuração, faça três orifícios de montagem e um orifício de montagem do cabo no teto/parede. Se estiver usando um acessório de montagem da câmera dome, essa etapa não é necessária.
2. Direcione três parafusos nos furos de montagem e deixe 6 mm ($\frac{1}{4}$ ") entre a cabeça do parafuso e a superfície do teto/parede.
3. Passe os cabos pelo orifício de entrada do cabo no teto/parede e o orifício de entrada do cabo da câmera dome.
4. Coloque a base da cúpula sobre os parafusos usando as ranhuras chaveadas de montagem e gire-a no sentido horário.
5. Aperte os parafusos para fixar a câmera dome.



Aviso — Use somente suportes de montagem relacionados em UL adequados à superfície de montagem e que possam suportar, no mínimo, 0,53 kg (1,2 lb) além do peso da lente acoplada.



Cuidado — A câmera foi projetada para uso apenas interno.

Para uso ao ar livre, um acessório de montagem ao ar livre é necessário.

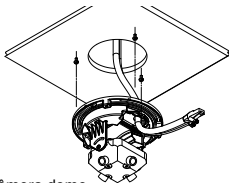


Figura: Instalação da câmera dome.

Conexão da Alimentação

OBSERVAÇÃO: Não execute este procedimento se a Alimentação via Ethernet (PoE) estiver sendo usada.

Se a PoE não estiver disponível, a câmera dome precisa ser alimentada por meio do bloco conector de alimentação removível. Consulte os diagramas neste guia para localizar o bloco conector de alimentação.

O dispositivo pode ser alimentado a partir de 12 VCC ou 24 VCA. As informações de consumo de energia estão listadas nas especificações do produto.

Para conectar a alimentação ao bloco conector de alimentação, siga os seguintes passos:

1. Remova o bloco conector de alimentação do dispositivo.
2. Remova o isolamento de ¼" (6 mm) dos fios de energia. Não arranhe nem danifique os fios.
3. Insira os dois fios de energia nos dois terminais do bloco conector de alimentação. A conexão pode ser feita com ambas as polaridades.
Use uma pequena chave de fenda (5/64" ou 2 mm de largura de lâmina) para soltar e apertar os terminais.
4. Anexe o bloco conector de energia de volta no recipiente do dispositivo.



Aviso — Este produto é destinado a ser fornecido por uma Fonte de Alimentação Relacionada em UL, identificada como de "Classe 2" ou "LPS" ou "Fonte de Alimentação Limitada", com saída nominal entre 12 VCC e 24 VCA, 7 W mín. ou PoE classificada como 48 VCC, 7 W mín.

Ao selecionar o fio utilizado para fornecer energia, assegure-se de selecionar um medidor pesado o suficiente para a distância de fiação. Consulte a tabela a seguir para obter o comprimento máximo do fio para diferentes diâmetros de fio.

Tabela: Comprimento do Fio para Diferentes Diâmetros

Diâmetros do fio		Comprimento máximo de execução (pés [m])	
AWG	mm ²	24 VCA	12 VCC
24	0,2	164[50]	43[13]
22	0,33	267[81]	71[21]
20	0,5	428[130]	114[34]
18	0,82	680[207]	181[55]
16	1,3	1071[326]	285[87]

Direcionando a Câmera Dome

1. Afrouxe os parafusos de montagem.
2. Gire as lentes na direção desejada girando o base.
3. Quando estiver satisfeito, segura a posição da câmera dome apertando os parafusos de montagem.
4. Se a imagem estiver de cabeça para baixo, gire o interruptor de rotação de imagem para girar a imagem em um ângulo de 180°.

Conexão do Gravador de Vídeo em Rede

Importante: Para evitar problemas de rede, use apenas conectores de rede recomendados pela Avigilon.

Conecte a câmera dome à mesma rede do servidor que está executando o software do Centro de Controle Avigilon. Um endereço IP é atribuído automaticamente ao dispositivo e será detectado pelo software. Para obter mais informações sobre como configurar a conexão, consulte o guia do usuário do software.

Os LEDs de status da conexão mostram o progresso da conexão ao servidor e são descritos na tabela a seguir. Por padrão, o LED de status da conexão desliga-se depois que a câmera dome for conectada a um servidor

Tabela: Condições do LED de status da conexão

Status da conexão	LED de status da conexão	Descrição
Sem conexão	Desligado	Não conectado fisicamente a nenhum dispositivo de rede
Obtendo Endereço IP	Um flash curto a cada segundo	Tentando obter um endereço IP
Estabelecendo a conexão com o servidor	Dois flashes curtos a cada segundo	Um endereço de IP foi obtido e está tentando se conectar ao servidor
Atualização do Firmware	Dois flashes curtos e um flash longo a cada segundo	Atualização do firmware
Conectado	Ligado	Conectado ao servidor

Seleção do Endereço IP

Após ser conectado a uma rede, a câmera dome tentará localizar e obter um endereço IP de um servidor DHCP. Se isso falhar, um endereço de IP será selecionado usando Zeroconf (APIPA).

Se o endereço IP for definido usando Zeroconf, o endereço IP estará na sub-rede 169.254.*. Um endereço de IP estático pode ser definido a partir do software do Centro de Controle Avigilon. Consulte o guia do usuário do software para obter detalhes.

Recursos avançados

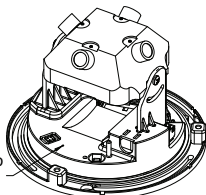
Atualização do Firmware

O firmware pode ser atualizado no campo por meio do software do Centro de Controle Avigilon. Consulte o guia do usuário do software para obter detalhes sobre como as atualizações de firmware são realizadas.

É possível que o firmware se torne corrompido durante uma atualização — por exemplo, se a alimentação for perdida durante o processo de atualização. Se isso ocorrer, a câmera dome pode ser revertida para executar a partir do firmware de autoinicialização. Uma vez revertido, ele poderá ser atualizado normalmente.



Aviso — Reverta para o firmware de autoinicialização somente se o dispositivo não conseguir se iniciar em função de um firmware corrompido.



Botão de reversão do firmware

Figura: O interruptor de reversão de firmware na parte de trás da câmera.

1. Desligue a alimentação da câmera.
2. Usando um clipe de papel esticado ou uma ferramenta semelhante, pressione suavemente e segure o microinterruptor de reversão do firmware.
3. Enquanto continua segurando o microinterruptor, ligue o dispositivo. Solte o microinterruptor depois de três segundos.



Cuidado — Não use força excessiva. Inserir a ferramenta com profundidade excessiva danificará o dispositivo.

Conectando-se a dispositivos externos

Os dispositivos externos são conectados por meio do terminal de E/S. A pinagem para o terminal de E/S é exibida na tabela e diagrama a seguir. Consulte o guia do usuário do software para obter detalhes sobre como configurar os dispositivos externos.

Tabela: Terminais de E/S externa

Pino	Função	Descrição
1	ATERRAMENTO	Solo para interface RS-485.
2	RS-485 RX/TX+	Interface RS-485 semiduplex para controle de equipamentos externos
3	RS-485 RX/TX-	
4	Entrada (-)/Saída A	Pino compartilhado para entrada e saída.
5	Entrada (+)	A entrada usa um fotoacoplador e é isolada eletricamente dos circuitos internos. A tensão de entrada não deve exceder 12 V.
6	Saída B	A saída usa um fotoacoplador e é isolada eletricamente dos circuitos internos. As conexões do terminal de saída (A e B) podem ser feitas com qualquer polaridade. A saída pode acionar uma carga máxima de 50 V e 120 mA.

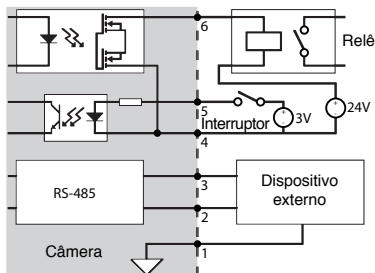


Figura: Esquema do terminal externo de E/S e exemplo de aplicação.

Conectando-se a microfones e alto-falantes

A câmera dome pode ser conectada a um microfone e alto-falante externos por meio do conector de áudio. O conector de áudio é um entrada de 3,5 mm (1/8") para um microfone mono ou um sinal mono de entrada de linha. O canal esquerdo do sinal estéreo é usado. A pinagem do conector é exibida no seguinte diagrama.

Consulte o guia do usuário do software para obter detalhes sobre como configurar a entrada e saída de áudio.

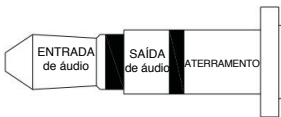


Figura: Conector de áudio.

Instalação da circunferência da cúpula de substituição

A circunferência da cúpula pode ser substituída se for danificada.

1. Remova a tampa da cúpula soltando os 3 parafusos invioláveis.
2. Remova os 4 parafusos e o anel de retenção que fixam a circunferência à tampa da cúpula.
3. Puxe a circunferência para fora da tampa de alumínio e retire o anel em O.
4. Coloque o anel em O na circunferência de substituição e insira-o na tampa da cúpula.
5. Parafuse o anel de retenção na tampa da cúpula.

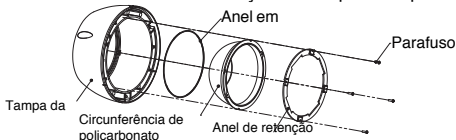


Figura: Conjunto da circunferência da cúpula

Limpeza

Corpo

Use um pano seco ou levemente umedecido para limpar o corpo da câmera.



Cuidado — Não utilize detergentes fortes ou abrasivos durante a limpeza do corpo da câmera.

Especificações

Rede	
Rede	100BASE-TX
Tipo de cabeamento	CAT5
Conector	RJ-45
Segurança	SSL
Protocolo	UDP, TCP, SOAP, DHCP, Zeroconf
Mecânica	
Dimensões ØxA	150 mm x 120 mm 5.9" x 4.7"
Peso	0,91kg (2,0 lbs.) sem lente
Círculo Dome	Policarbonato, transparente
Corpo	Alumínio
Compartimento	Montagem em superfície, inviolável
Acabamento	Revestimento a pó, cinza claro 2
Faixa de ajuste	Panorâmica a 360°, inclinação a 180°, azimute a 180°
Dados elétricos	
Fonte de energia	VCC: 12-24 V VCA: 24 V PoE: Compatível com IEEE802.3af classe 3
Consumo de energia	7 W + 5,5 W com opção de aquecedor
Conector de energia	Bloco de terminais de 2 pinos
Dados ambientais	
Temperatura de operação	-10°C a +50° C (14° F a 122° F) -30°C a +50°C (-22°F a 122°F) (com opção de aquecedor)
Temperatura de armazenamento	-10°C a +70° F (14° F a 158° F)
Umidade	Umidade relativa de 20 - 80% (sem condensação)
Certificações	
Certificações	ROHS WEEE
Dados ambientais	Avaliação de impacto IK10
Emissões eletromagnéticas	FCC, Parte 15, Subparte B, Classe A IC ICES-003 Classe A EN 55022 Classe A EN 61000-3-2 EN 61000-3-3 EN 61000-6-3
Imunidade eletromagnética	EN 50130-4 EN 61000-4-2 EN 61000-4-3 EN 61000-4-4 EN 61000-4-5 EN 61000-4-6 EN 61000-4-11

Garantia Limitada e Suporte Técnico

A Avigilon garante ao comprador e consumidor original que este produto estará livre de defeitos de material e mão de obra durante um período de 3 anos a partir da data de compra. Segundo o presente, a responsabilidade do fabricante limita-se à substituição do produto, reparo do produto ou substituição do produto com o produto reparado, a critério do fabricante. Esta garantia é nula se o produto tiver sido danificado por acidente, uso não razoável, negligência, adulteração ou outras causas não resultantes de defeitos no material ou mão de obra. Esta garantia estende-se apenas ao comprador e consumidor original do produto.

A AVIGILON RECUSA TODAS AS DEMAIS GARANTIAS EXPRESSAS OU IMPLÍCITAS, INCLUINDO, SEM LIMITAÇÃO, QUALQUER GARANTIA IMPLÍCITA DE COMERCIALIZABILIDADE OU ADEQUAÇÃO A UMA FINALIDADE ESPECÍFICA, EXCETO NA MEDIDA EM QUE QUALQUER GARANTIA IMPLÍCITA PELA LEGISLAÇÃO NÃO PUDE SER RECUSADA DE MANEIRA VÁLIDA.

Nenhuma informação verbal ou escrita, orientação ou declaração fornecida pela Avigilon, seus distribuidores, revendedores, agentes ou funcionários deverá criar outra garantia ou modificar esta garantia. A presente garantia declara a inteira responsabilidade da Avigilon e sua exclusiva solução em relação à Avigilon por qualquer falha que impeça este produto de funcionar corretamente.

Em nenhum caso a Avigilon será responsabilizada por quaisquer danos indiretos, incidentais, especiais, consequenciais, exemplares ou punitivos de qualquer natureza (incluindo, mas sem limitação, danos por lucro cessante ou informações confidenciais ou de outro tipo, interrupção de negócios, danos pessoais, perda de privacidade, não cumprimento de qualquer obrigação, incluindo de boa-fé ou de cuidado razoável, negligência e quaisquer outras perdas pecuniárias de qualquer outra natureza) decorrentes da utilização ou incapacidade de utilizar o produto, mesmo que orientada sobre a possibilidade de tais danos. Como algumas jurisdições não permitem a limitação de responsabilidade acima, tal limitação poderá não ser aplicável a você.

A presente Garantia Limitada lhe concede direitos específicos legais e você pode ter também outros direitos que variam de uma jurisdição para outra.

O serviço de garantia e o suporte técnico podem ser obtidos contatando o Suporte Técnico Avigilon pelo telefone 1.888.281.5182 ou por e-mail: support@avigilon.com.

AVIGILON
THE BEST EVIDENCE™

© 9/28/11 Avigilon Corporation