



WiseNet *Lite*

The Power of Simplicity

use IP 
www.use-ip.co.uk
01304 827609

PRELIMINARY

SAMSUNG TECHWIN



Product Comparison Chart

IR Bullet / Dome



WiseNet Lite
SNO-L6083R

WiseNet Lite
SNO-L6013R

WiseNet Lite
SNO-L5083R

WiseNet Lite
SND-L6013

WiseNet Lite
SND-L6012

WiseNet Lite
SND-L5013

	SNO-L6083R	SNO-L6013R	SNO-L5083R	SND-L6013	SND-L6012	SND-L5013
Resolution	2MP	2MP	1.3MP	2MP	2MP	1.3MP
Imaging Device	1/2.9" 2.19M CMOS	1/2.9" 2.19M CMOS	1/3" 1.37M CMOS	1/2.9" 2.19M CMOS	1/2.9" 2.19M CMOS	1/3" 1.37M CMOS
Video Compression Format	H.264, MJPEG	H.264, MJPEG	H.264, MJPEG	H.264, MJPEG	H.264, MJPEG	H.264, MJPEG
Resolution / Max. Frame Rate	2M / 30fps	2M / 30fps	1.3M / 30fps	2M / 30fps	2M / 30fps	1.3M / 30fps
Streaming Capacity	Multiple (Up to 3 profiles)	Multiple (Up to 3 profiles)	Multiple (Up to 3 profiles)	Multiple (Up to 3 profiles)	Multiple (Up to 3 profiles)	Multiple (Up to 3 profiles)
Max. User Access	6 (Unicast)	6 (Unicast)	6 (Unicast)	6 (Unicast)	6 (Unicast)	6 (Unicast)
Min. Illumination (30 IRE)	Color : 0.095Lux B/W : 0Lux (IR LED on)	Color : 0.15Lux B/W : 0Lux (IR LED on)	Color : 0.04Lux B/W : 0Lux (IR LED on)	Color : 0.15Lux B/W : 0.15Lux	Color : 0.15Lux B/W : 0.15Lux	Color : 0.085Lux B/W : 0.085Lux
Video Output	-	-	-	-	-	-
Lens	2.8 ~ 12mm (4.3x) V/F (F1.4)	3.6mm fixed (F1.8)	2.8 ~ 12mm (4.3x) V/F (F1.4)	3.6mm fixed (F1.8)	2.8mm fixed (F1.8)	3.6mm fixed (F1.8)
Angular Field of View	H : 103.8°(Wide) ~ 32.4°(Tele) / V : 53.7°(Wide) ~ 18.4°(Tele) / D : 121.9°(Wide) ~ 37.1°(Tele)	H : 86.5° / V : 47.8° / D : 101.2°	H : 88.2°(Wide) ~ 28.6°(Tele) / V : 69.4°(Wide) ~ 23.0°(Tele) / D : 117.3°(Wide) ~ 36.2°(Tele)	H : 86.5° / V : 47.8° / D : 101.2°	H : 110° / V : 61° / D : 125°	H : 74° / V : 58° / D : 97°
Focus Control	Manual	-	Manual	-	-	-
IR Viewable Length	20m (65.62ft)	20m (65.62ft)	20m (65.62ft)	-	-	-
Pan / Tilt / Rotate	-	-	-	0° ~ 350° / 0° ~ 67° / 0° ~ 355°	0° ~ 350° / 0° ~ 67° / 0° ~ 355°	0° ~ 350° / 0° ~ 67° / 0° ~ 355°
Day & Night	True (ICR)	True (ICR)	True (ICR)	Electrical	Electrical	Electrical
Backlight Compensation	BLC	BLC	BLC	BLC	BLC	BLC
Digital Noise Reduction	SSNR	SSNR	SSNR	SSNR	SSNR	SSNR
Digital Image Stabilization	-	-	-	-	-	-
Intelligent Video Analytics	Motion detection with metadata, Tampering	Motion detection with metadata, Tampering	Motion detection with metadata, Tampering	Motion detection with metadata, Tampering	Motion detection with metadata, Tampering	Motion detection with metadata, Tampering
Protocol	ONVIF profile S & G, SUNAPI	ONVIF profile S & G, SUNAPI	ONVIF profile S & G, SUNAPI	ONVIF profile S & G, SUNAPI	ONVIF profile S & G, SUNAPI	ONVIF profile S & G, SUNAPI
Alarm I/O	-	-	-	-	-	-
Audio	Uni-directional	Uni-directional	Uni-directional	Uni-directional	Uni-directional	Uni-directional
Edge Storage	micro SD/SDHC, NAS	micro SD/SDHC, NAS	micro SD/SDHC, NAS	micro SD/SDHC, NAS	micro SD/SDHC, NAS	micro SD/SDHC, NAS
Environment Protection	IP66, IK10	IP66	IP66, IK10	-	-	-
Operating Temperature	-30°C ~ +55°C (-22°F ~ +131°F) *Start up above -20°C (-4°F)	-30°C ~ +55°C (-22°F ~ +131°F) *Start up above -20°C (-4°F)	-30°C ~ +55°C (-22°F ~ +131°F) *Start up above -20°C (-4°F)	-10°C ~ +55°C (+14°F ~ +131°F)	-10°C ~ +55°C (+14°F ~ +131°F)	-10°C ~ +55°C (+14°F ~ +131°F)
Power	PoE (Max. 5.9W)	PoE (Max. 5.7W)	PoE (Max. 5.9W)	PoE (Max. 2.4W)	PoE (Max. 2.4W)	PoE (Max. 2.4W)
Dimensions (WxHxD) / Weight	Ø70.0 x 246.0mm (Ø2.76" x 9.69") 700g (1.54 lb) (Without sunshield)	Ø58.6 x 165.2mm (Ø2.31" x 6.5") 250g (0.55 lb) (Without sunshield)	Ø70.0 x 246.0mm (Ø2.76" x 9.69") 650g (1.43 lb) (Without sunshield)	Ø110.0 x 86.0mm (Ø4.33" x 3.39") 250g (0.55 lb)	Ø110.0 x 86.0mm (Ø4.33" x 3.39") 240g (0.53 lb)	Ø110.0 x 86.0mm (Ø4.33" x 3.39") 240g (0.53 lb)
Additional Features	Lens Distortion Correction, Hallway view	Lens Distortion Correction, Hallway view	Lens Distortion Correction, Hallway view	Lens Distortion Correction, Hallway view	Lens Distortion Correction, Hallway view	Lens Distortion Correction, Hallway view

Product Comparison Chart

IR Dome / IR Vandal-Resistant



WiseNet Lite
SND-L6083R



WiseNet Lite
SND-L6013R



WiseNet Lite
SND-L5083R



WiseNet Lite
SNV-L6083R



WiseNet Lite
SNV-L5083R

	SND-L6083R	SND-L6013R	SND-L5083R	SNV-L6083R	SNV-L5083R
Resolution	2MP	2MP	1.3MP	2MP	1.3MP
Imaging Device	1/2.9" 2.19M CMOS	1/2.9" 2.19M CMOS	1/3" 1.37M CMOS	1/2.9" 2.19M CMOS	1/3" 1.37M CMOS
Video Compression Format	H.264, MJPEG	H.264, MJPEG	H.264, MJPEG	H.264, MJPEG	H.264, MJPEG
Resolution / Max. Frame Rate	2M / 30fps	2M / 30fps	1.3M / 30fps	2M / 30fps	1.3M / 30fps
Streaming Capacity	Multiple (Up to 3 profiles)	Multiple (Up to 3 profiles)	Multiple (Up to 3 profiles)	Multiple (Up to 3 profiles)	Multiple (Up to 3 profiles)
Max. User Access	6 (Unicast)	6 (Unicast)	6 (Unicast)	6 (Unicast)	6 (Unicast)
Min. Illumination (30 IRE)	Color : 0.095Lux B/W : 0Lux (IR LED on)	Color : 0.15Lux B/W : 0Lux (IR LED on)	Color : 0.04Lux B/W : 0Lux (IR LED on)	Color : 0.095Lux B/W : 0Lux (IR LED on)	Color : 0.04Lux B/W : 0Lux (IR LED on)
Video Output	-	-	-	-	-
Lens	2.8 ~ 12mm (4.3x) V/F (F1.4)	3.6mm fixed (F1.8)	2.8 ~ 12mm (4.3x) V/F (F1.4)	2.8 ~ 12mm (4.3x) V/F (F1.4)	2.8 ~ 12mm (4.3x) V/F (F1.4)
Angular Field of View	H : 103.8°(Wide) ~ 32.4°(Tele) / V : 53.7°(Wide) ~ 18.4°(Tele) / D : 121.9°(Wide) ~ 37.1°(Tele)	H : 86.5° / V : 47.8° / D : 101.2°	H : 88.2°(Wide) ~ 28.6°(Tele) / V : 69.4°(Wide) ~ 23.0°(Tele) / D : 117.3°(Wide) ~ 36.2°(Tele)	H : 103.8°(Wide) ~ 32.4°(Tele) / V : 53.7°(Wide) ~ 18.4°(Tele) / D : 121.9°(Wide) ~ 37.1°(Tele)	H : 88.2°(Wide) ~ 28.6°(Tele) / V : 69.4°(Wide) ~ 23.0°(Tele) / D : 117.3°(Wide) ~ 36.2°(Tele)
Focus Control	Manual	-	Manual	Manual	Manual
IR Viewable Length	15m (49.21ft)	15m (49.21ft)	15m (49.21ft)	20m (65.62ft)	20m (65.62ft)
Pan / Tilt / Rotate	0° ~ 350° / 0° ~ 67° / 0° ~ 355°	0° ~ 350° / 0° ~ 67° / 0° ~ 355°	0° ~ 350° / 0° ~ 67° / 0° ~ 355°	0° ~ 350° / 0° ~ 67° / 0° ~ 355°	0° ~ 350° / 0° ~ 67° / 0° ~ 355°
Day & Night	True (ICR)	True (ICR)	True (ICR)	True (ICR)	True (ICR)
Backlight Compensation	BLC	BLC	BLC	BLC	BLC
Digital Noise Reduction	SSNR	SSNR	SSNR	SSNR	SSNR
Digital Image Stabilization	-	-	-	-	-
Intelligent Video Analytics	Motion detection with metadata, Tampering	Motion detection with metadata, Tampering	Motion detection with metadata, Tampering	Motion detection with metadata, Tampering	Motion detection with metadata, Tampering
Protocol	ONVIF profile S & G, SUNAPI	ONVIF profile S & G, SUNAPI	ONVIF profile S & G, SUNAPI	ONVIF profile S & G, SUNAPI	ONVIF profile S & G, SUNAPI
Alarm I/O	-	-	-	-	-
Audio	Uni-directional	Uni-directional	Uni-directional	Uni-directional	Uni-directional
Edge Storage	micro SD/SDHC, NAS	micro SD/SDHC, NAS	micro SD/SDHC, NAS	micro SD/SDHC, NAS	micro SD/SDHC, NAS
Environment Protection	-	-	-	IP66, IK10	IP66, IK10
Operating Temperature	-10°C ~ +55°C (+14°F ~ +131°F)	-10°C ~ +55°C (+14°F ~ +131°F)	-10°C ~ +55°C (+14°F ~ +131°F)	-30°C ~ +55°C (-22°F ~ +131°F) *Start up above -20°C (-4°F)	-30°C ~ +55°C (-22°F ~ +131°F) *Start up above -20°C (-4°F)
Power	PoE (Max. 5.4W)	PoE (Max. 5.9W)	PoE (Max. 5.4W)	PoE (Max. 5.8W)	PoE (Max. 5.8W)
Dimensions (WxHxD) / Weight	Ø119.8 x 98.8mm (Ø4.72" x 3.89") 290g (0.64 lb)	Ø110.0 x 86.0mm (Ø4.33" x 3.39") 250g (0.55 lb)	Ø119.8 x 98.8mm (Ø4.72" x 3.89") 290g (0.64 lb)	Ø137.0 x 106.1mm (Ø5.39" x 4.18") 670g (1.48 lb)	Ø137.0 x 106.1mm (Ø5.39" x 4.18") 670g (1.48 lb)
Additional Features	Lens Distortion Correction, Hallway view	Lens Distortion Correction, Hallway view	Lens Distortion Correction, Hallway view	Lens Distortion Correction, Hallway view	Lens Distortion Correction, Hallway view

WiseNet Lite

The Power of Simplicity

Samsung Techwin introduces WiseNet Lite series, an affordable product line offering simple but essential features ideal to secure small to medium sized applications. Find your compact camera solution with the professional WiseNet Lite series.

Affordable, compact cameras with professional features

- 1.3Megapixel to 2megapixel resolution
- Hallway view (Rotate 90°/270°)
- Motion detection, Tampering
- Audio support
- IR viewable length up to 20m
- Framerate max.30fps at all resolution (H.264)
- LDC (Lens Distortion Correction)
- Edge storage (micro SD/SDHC 32GB, NAS)
- IP66/IK10 (Outdoor cameras)
- Compact design



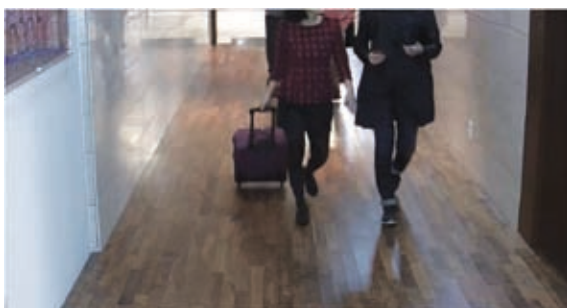
Broad line-up of indoor and outdoor cameras

WiseNet Lite series offers a wide range of indoor and outdoor Bullet / Dome / Vandal cameras to cover multiple application needs for retails, banks, residences or offices delivering crisp and clear image qualities.

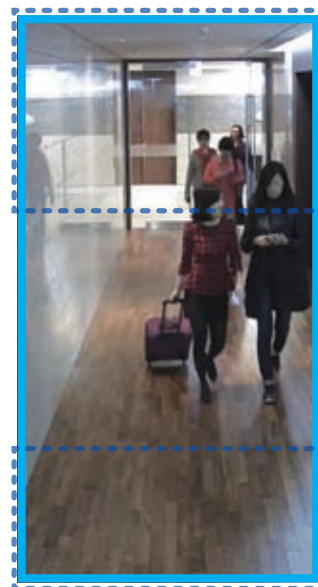
	IR BULLET	DOMES	IR DOME	IR VANDAL
2MP	 SNO-L6083R SNO-L6013R	 SND-L6013 SND-L6012	 SND-L6083R SND-L6013R	 SNV-L6083R
1.3MP	 SNO-L5083R	 SND-L5013	 SND-L5083R	 SNV-L5083R

Hallway view for monitoring vertical shaped areas

In a vertical shaped environment, such as corridors, hallways, tunnels, or aisles, traditional horizontal shaped videos focus on unnecessary edges of the area causing bandwidth and storage waste. By utilizing the hallway view, 3 : 4 and 9 : 16 aspect ratio image is created : a vertically oriented video that maximizes image quality in narrow locations.



Conventional



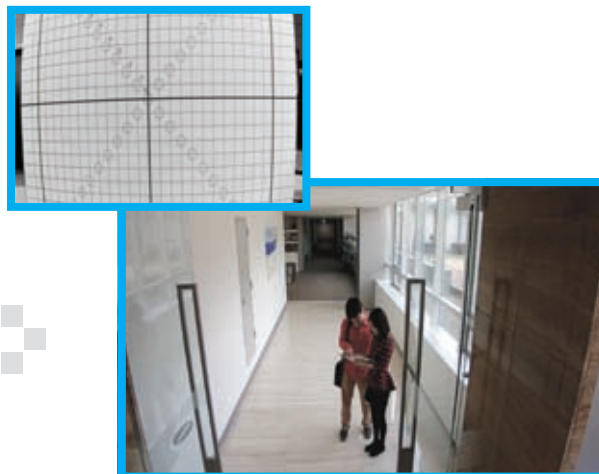
Hallway View

Minimize image distortion by Lens Distortion Correction

Lens Distortion may typically appear in videos causing straight lines close to the edge curve outwards. With the Lens Distortion Correction technology available on the WiseNet Lite series, imperfections in images can be easily repaired.



Conventional



Lens Distortion Correction

Specialized for small to medium sized applications

WiseNet Lite series are ready to solve any challenges you may face especially on small to medium sized applications.

- By using WiseNet Lite series and PoE NVR together as a network solution you can save both installation time and cost, suitable for small to medium sized applications.
- Install cameras on entrance/lobbies, parking lots, elevators, hallways, aisles and more.

This professional surveillance camera will enable you to create a secure environment meeting your needs.

WiseNet Lite series

PoE NVR SRN-1673S/873S/473S

Get 3 types of video streams from a single camera

WiseNet Lite series has the ability to set 3 types of video streams in a different resolution, framerate, etc. to different users or devices. Streams can be viewed Live, mobile, or recorded. It's up to your choice!



Edge storage supported

Make your security system simple and cost-effective by recording videos directly on micro SD/SDHC memory card (32GB) and NAS (Network Attached Storage device).

Audio function supported

Built-in mic (Indoor cameras) and line-in (Outdoor cameras) function supported will enhance security by enabling you to monitor videos with sounds.

Protect your device with waterproof plug

Connect the waterproof plug with the lan cable connection to reduce installation costs and get waterproof protection.



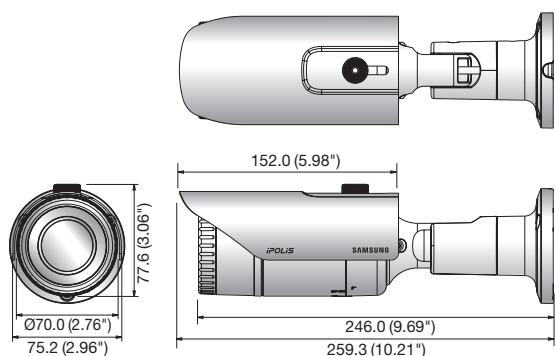


Key Features

- Max. 2M (1920 x 1080) resolution
- 2.8 ~ 12mm (4.3x) varifocal lens
- 0.095Lux@F1.4 (Color), 0Lux@F1.4 (B/W : IR LED on)
- 30fps@all resolutions (H.264)
- H.264, MJPEG dual codec, Multiple streaming
- Motion detection, Tampering
- micro SD/SDHC memory slot, PoE
- IR viewable length 20m, IP66, IK10
- Hallway view support (Rotate 90°/270°)
- LDC support (Lens Distortion Correction)

Dimensions

Unit : mm (inch)



SNO-L6083RN/P

VIDEO	
Imaging Device	1/2.9" 2.19M CMOS
Total Pixels	2,000(H) x 1,121(V)
Effective Pixels	1,984(H) x 1,105(V)
Scanning System	Progressive
Min. Illumination	Color : 0.095Lux (1/30sec, F1.4), 0.002Lux (2sec, F1.4) B/W : 0Lux (IR LED on)
LENS	
Focal Length (Zoom Ratio)	2.8 ~ 12mm (4.3x) varifocal
Max. Aperture Ratio	F1.4
Angular Field of View	H : 103.8°(Wide) ~ 32.4°(Tele) / V : 53.7°(Wide) ~ 18.4°(Tele) / D : 121.9°(Wide) ~ 37.1°(Tele)
Min. Object Distance	0.5m (1.64ft)
Focus Control	Manual
Lens Type	DC auto iris
Mount Type	Board type
OPERATIONAL	
IR Viewable Length	20m (65.62ft)
Camera Title	Off / On (Displayed up to 15 characters)
Day & Night	True Day & Night
Backlight Compensation	Off / BLC
Contrast Enhancement	SSDR (Samsung Super Dynamic Range) (Off / On)
Digital Noise Reduction	SSNR (Off / On)
Motion Detection	Off / On (4ea rectangular zones)
Privacy Masking	Off / On (6ea rectangular zones)
Gain Control	Off / Low / Middle / High
White Balance	ATW / AWC / Manual / Indoor / Outdoor
LDC (Lens Distortion Correction)	Off / On (5 levels with min / max)
Electronic Shutter Speed	Minimum / Maximum / Anti flicker
Flip / Mirror	Flip / Mirror / Hallway view
Intelligent Video Analytics	Motion detection with metadata, Tampering
Alarm Triggers	Motion detection, Tampering detection, SD card error, NAS error
Alarm Events	File upload via FTP and E-mail, Local storage recording at event, Notification via E-mail
NETWORK	
Ethernet	RJ-45 (10/100BASE-T)
Video Compression Format	H.264, MJPEG
Resolution	1920 x 1080, 1280 x 960, 1280 x 720, 1024 x 768, 800 x 600, 720 x 576, 640 x 480, 320 x 240
Max. Framerate	H.264 : Max. 30fps at all resolutions MJPEG : Max. 1fps at 1920 x 1080, 1280 x 960, 1280 x 720, 1024 x 768, Max. 15fps at other resolution
Video Quality Adjustment	H.264 : Target bitrate level control, MJPEG : Quality level control
Bitrate Control Method	H.264 : CBR or VBR, MJPEG : VBR
Streaming Capability	Multiple streaming (Up to 3 profiles)
Audio I/O	Line in
Audio Compression Format	G.711 u-law / G.726 selectable G.726 (ADPCM) 8KHz, G.711 8KHz, G.726 : 16Kbps, 24Kbps, 32Kbps, 40Kbps
Audio Communication	Uni-directional audio
IP	IPv4, IPv6
Protocol	TCP/IP, UDP/IP, RTP(UDP), RTP(TCP), RTCP, RTSP, NTP, HTTP, HTTPS, SSL, DHCP, PPPoE, FTP, SFTP, ICMP, IGMP, SNMPv1/v2c/v3(MIB-2), ARP, DNS, DDNS, QoS, PIM-SM, UPnP, Bonjour
Security	HTTPS(SSL) login authentication, Digest login authentication IP address filtering, User access log, 802.1x authentication
Streaming Method	Unicast / Multicast
Max. User Access	6 users at unicast mode
Storage	micro SD/SDHC max. 32G, NAS - Motion images recorded in the SD memory card can be downloaded - Manual recording at local PC
Application Programming Interface	ONVIF Profile S, G, SUNAPI (HTTP API)
Webpage Language	English, French, German, Spanish, Italian, Chinese, Korean, Russian, Japanese, Swedish, Danish, Portuguese, Turkish, Polish, Czech, Rumanian, Serbian, Dutch, Croatian, Hungarian, Greek, Norwegian, Finnish
Web Viewer	Supported OS : Windows XP / VISTA / 7 / 8 / 8.1, MAC OS X 10.7 ~ 10.10 Supported Browser : Microsoft Internet Explorer (Ver. 8 ~ 11), Mozilla Firefox (Ver. 9 ~ 35), Google Chrome (Ver. 15 ~ 40), Apple Safari (Ver. 8.0.2(Mac OS X 10.10), 7.0.6(Mac OS X 10.9), 6.0.2 (Mac OS X 10.8, 10.7 only), 5.1.7) * Mac OS X only
Central Management Software	SmartViewer
ENVIRONMENTAL	
Operating Temperature / Humidity	-30°C ~ +55°C (-22°F ~ +131°F) / Less than 90% RH *Start up should be done at above -20°C (-4°F)
Storage Temperature / Humidity	-30°C ~ +60°C (-22°F ~ +140°F) / Less than 90% RH
Ingress Protection	IP66
Vandal Resistance	IK10
ELECTRICAL	
Input Voltage / Current	PoE (IEEE802.3af, Class2)
Power Consumption	Max. 5.9W
MECHANICAL	
Color / Material	Dark gray / Metal
Dimensions (WxH)	Ø70.0 x 246.0mm (Ø2.76" x 9.69") (Without sunshield)
Weight	700g (1.54 lb)

* Data recorded on an SD memory card may be lost or damaged by data access during power-off, mechanical shock, memory card detachment, or other operations. Data loss or damage can also occur when a memory card reaches end of life, which varies according to operational conditions. No guarantee is given against damage (including passive damage).

* The latest product information / specification can be found at www.samsungsecurity.com

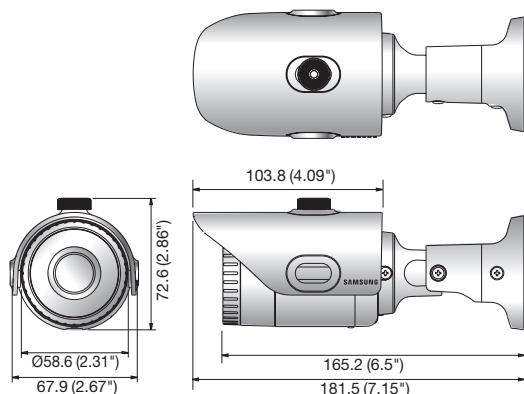


Key Features

- Max. 2M (1920 x 1080) resolution
- 3.6mm fixed lens
- 0.15Lux@F1.8 (Color), 0Lux@F1.8 (B/W : IR LED on)
- 30fps@all resolutions (H.264)
- H.264, MJPEG dual codec, Multiple streaming
- Motion detection, Tampering
- micro SD/SDHC memory slot, PoE
- IR viewable length 20m, IP66
- Hallway view support (Rotate 90°/270°)
- LDC support (Lens Distortion Correction)

Dimensions

Unit : mm (inch)



SNO-L6013RN/P

VIDEO	
Imaging Device	1/2.9" 2.19M CMOS
Total Pixels	2,000(H) x 1,121(V)
Effective Pixels	1,984(H) x 1,105(V)
Scanning System	Progressive
Min. Illumination	Color : 0.15Lux (1/30sec, F1.8), 0.003Lux (2sec, F1.8) B/W : 0Lux (IR LED on)
LENS	
Focal Length (Zoom Ratio)	3.6mm fixed
Max. Aperture Ratio	F1.8
Angular Field of View	H : 86.5° / V : 47.8° / D : 101.2°
Min. Object Distance	0.5m (1.64ft)
Lens Type	Fixed
Mount Type	Board type
OPERATIONAL	
IR Viewable Length	20m (65.62ft)
Camera Title	Off / On (Displayed up to 15 characters)
Day & Night	True Day & Night
Backlight Compensation	Off / BLC
Contrast Enhancement	SSDR (Samsung Super Dynamic Range) (Off / On)
Digital Noise Reduction	SSNR (Off / On)
Motion Detection	Off / On (4ea rectangular zones)
Privacy Masking	Off / On (6ea rectangular zones)
Gain Control	Off / Low / Middle / High
White Balance	ATW / AWC / Manual / Indoor / Outdoor
LDC (Lens Distortion Correction)	Off / On (5 levels with min / max)
Electronic Shutter Speed	Minimum / Maximum / Anti flicker
Flip / Mirror	Flip / Mirror / Hallway view
Intelligent Video Analytics	Motion detection with metadata, Tampering
Alarm Triggers	Motion detection, Tampering detection, SD card error, NAS error
Alarm Events	File upload via FTP and E-mail, Local storage recording at event, Notification via E-mail
NETWORK	
Ethernet	RJ-45 (10/100BASE-T)
Video Compression Format	H.264, MJPEG
Resolution	1920 x 1080, 1280 x 960, 1280 x 720, 1024 x 768, 800 x 600, 720 x 576, 640 x 480, 320 x 240
Max. Framerate	H.264 : Max. 30fps at all resolutions MJPEG : Max. 1fps at 1920 x 1080, 1280 x 960, 1280 x 720, 1024 x 768, Max. 15fps at other resolution
Video Quality Adjustment	H.264 : Target bitrate level control, MJPEG : Quality level control
Bitrate Control Method	H.264 : CBR or VBR, MJPEG : VBR
Streaming Capability	Multiple streaming (Up to 3 profiles)
Audio I/O	Line in
Audio Compression Format	G.711 u-law / G.726 selectable G.726 (ADPCM) 8KHz, G.711 8KHz, G.726 : 16Kbps, 24Kbps, 32Kbps, 40Kbps
Audio Communication	Uni-directional audio
IP	IPv4, IPv6
Protocol	TCP/IP, UDP/IP, RTP(UDP), RTP(TCP), RTCP, RTSP, NTP, HTTP, HTTPS, SSL, DHCP, PPPoE, FTP, SMTP, ICMP, IGMP, SNMPv1/v2c/v3(MIB-2), ARP, DNS, DDNS, QoS, PIM-SM, UPnP, Bonjour
Security	HTTPS(SSL) login authentication, Digest login authentication IP address filtering, User access log, 802.1x authentication
Streaming Method	Unicast / Multicast
Max. User Access	6 users at unicast mode
Storage	micro SD/SDHC max. 32G, NAS - Motion images recorded in the SD memory card can be downloaded - Manual recording at local PC
Application Programming Interface	ONVIF Profile S, G, SUNAPI (HTTP API)
Webpage Language	English, French, German, Spanish, Italian, Chinese, Korean, Russian, Japanese, Swedish, Danish, Portuguese, Turkish, Polish, Czech, Rumanian, Serbian, Dutch, Croatian, Hungarian, Greek, Norwegian, Finnish
Web Viewer	Supported OS : Windows XP / VISTA / 7 / 8 / 8.1, MAC OS X 10.7 ~ 10.10 Supported Browser : Microsoft Internet Explorer (Ver. 8 ~ 11), Mozilla Firefox (Ver. 9 ~ 35), Google Chrome (Ver. 15 ~ 40), Apple Safari (Ver. 8.0.2(Mac OS X 10.10), 7.0.6(Mac OS X 10.9), 6.0.2 (Mac OS X 10.8, 10.7 only), 5.1.7) * Mac OS X only
Central Management Software	SmartViewer
ENVIRONMENTAL	
Operating Temperature / Humidity	-30°C ~ +55°C (-22°F ~ +131°F) / Less than 90% RH *Start up should be done at above -20°C (-4°F)
Storage Temperature / Humidity	-30°C ~ +60°C (-22°F ~ +140°F) / Less than 90% RH
Ingress Protection	IP66
ELECTRICAL	
Input Voltage / Current	PoE (IEEE802.3af, Class2)
Power Consumption	Max. 5.7W
MECHANICAL	
Color / Material	Dark gray / Plastic
Dimensions (WxH)	Ø58.6 x 165.2mm (Ø2.31" x 6.5") (Without sunshield)
Weight	250g (0.55 lb)

* The latest product information / specification can be found at www.samsungsecurity.com

* Data recorded on an SD memory card may be lost or damaged by data access during power-off, mechanical shock, memory card detachment, or other operations. Data loss or damage can also occur when a memory card reaches end of life, which varies according to operational conditions. No guarantee is given against damage (including passive damage).

SNO-L5083R

1.3Megapixel HD Weatherproof Network IR Camera

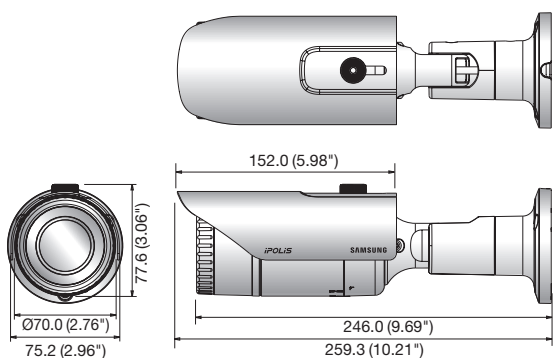


Key Features

- Max. 1.3M (1280 x 1024) resolution
- 16 : 9 HD (720P) resolution support
- 2.8 ~ 12mm (4.3x) varifocal lens
- 0.04Lux@F1.4 (Color), 0Lux@F1.4 (B/W : IR LED on)
- 30fps@all resolutions (H.264)
- H.264, MJPEG dual codec, Multiple streaming
- Motion detection, Tampering
- micro SD/SDHC memory slot, PoE
- IR viewable length 20m, IP66, IK10
- Hallway view support (Rotate 90°/270°)
- LDC support (Lens Distortion Correction)

Dimensions

Unit : mm (inch)



SNO-L5083RN/P

VIDEO	
Imaging Device	1/3" 1.37M CMOS
Total Pixels	1,312(H) x 1,069(V)
Effective Pixels	1,305(H) x 1,049(V)
Scanning System	Progressive
Min. Illumination	Color : 0.04Lux (1/30sec, F1.4), 0.001Lux (2sec, F1.4) B/W : 0Lux (IR LED on)
LENS	
Focal Length (Zoom Ratio)	2.8 ~ 12mm (4.3x) varifocal
Max. Aperture Ratio	F1.4
Angular Field of View	H : 88.2°(Wide) ~ 28.6°(Tele) / V : 69.4°(Wide) ~ 23.0°(Tele) / D : 117.3°(Wide) ~ 36.2°(Tele)
Min. Object Distance	0.5m (1.64ft)
Focus Control	Manual
Lens Type	DC auto iris
Mount Type	Board type
OPERATIONAL	
IR Viewable Length	20m (65.62ft)
Camera Title	Off / On (Displayed up to 15 characters)
Day & Night	True Day & Night
Backlight Compensation	Off / BLC
Contrast Enhancement	SSDR (Samsung Super Dynamic Range) (Off / On)
Digital Noise Reduction	SSNR (Off / On)
Motion Detection	Off / On (4ea rectangular zones)
Privacy Masking	Off / On (6ea rectangular zones)
Gain Control	Off / Low / Middle / High
White Balance	ATW / AWC / Manual / Indoor / Outdoor
LDC (Lens Distortion Correction)	Off / On (5 levels with min / max)
Electronic Shutter Speed	Minimum / Maximum / Anti flicker
Flip / Mirror	Flip / Mirror / Hallway view
Intelligent Video Analytics	Motion detection with metadata, Tampering
Alarm Triggers	Motion detection, Tampering detection, SD card error, NAS error
Alarm Events	File upload via FTP and E-mail, Local storage recording at event, Notification via E-mail
NETWORK	
Ethernet	RJ-45 (10/100BASE-T)
Video Compression Format	H.264, MJPEG
Resolution	1280 x 1024, 1280 x 960, 1280 x 720, 1024 x 768, 800 x 600, 720 x 576, 640 x 480, 320 x 240
Max. Framerate	H.264 : Max. 30fps at all resolutions MJPEG : Max. 1fps at 1280 x 1024, 1280 x 960, 1280 x 720, 1024 x 768, Max. 15fps at other resolution
Video Quality Adjustment	H.264 : Target bitrate level control, MJPEG : Quality level control
Bitrate Control Method	H.264 : CBR or VBR, MJPEG : VBR
Streaming Capability	Multiple streaming (Up to 3 profiles)
Audio I/O	Line in
Audio Compression Format	G.711 u-law / G.726 selectable G.726 (ADPCM) 8KHz, G.711 8KHz, G.726 : 16Kbps, 24Kbps, 32Kbps, 40Kbps
Audio Communication	Uni-directional audio
IP	IPv4, IPv6
Protocol	TCP/IP, UDP/IP, RTP(UDP), RTP(TCP), RTCP, RTSP, NTP, HTTP, HTTPS, SSL, DHCP, PPPoE, FTP, SMTP, ICMP, IGMP, SNMPv1/v2c/v3(MIB-2), ARP, DNS, DDNS, QoS, PIM-SM, UPnP, Bonjour
Security	HTTPS(SSL) login authentication, Digest login authentication IP address filtering, User access log, 802.1x authentication
Streaming Method	Unicast / Multicast
Max. User Access	6 users at unicast mode
Storage	micro SD/SDHC max. 32G, NAS - Motion images recorded in the SD memory card can be downloaded - Manual recording at local PC
Application Programming Interface	ONVIF Profile S, G, SUNAPI (HTTP API)
Webpage Language	English, French, German, Spanish, Italian, Chinese, Korean, Russian, Japanese, Swedish, Danish, Portuguese, Turkish, Polish, Czech, Rumanian, Serbian, Dutch, Croatian, Hungarian, Greek, Norwegian, Finnish
Web Viewer	Supported OS : Windows XP / VISTA / 7 / 8 / 8.1, MAC OS X 10.7 ~ 10.10 Supported Browser : Microsoft Internet Explorer (Ver. 8 ~ 11), Mozilla Firefox (Ver. 9 ~ 35), Google Chrome (Ver. 15 ~ 40), Apple Safari (Ver. 8.0.2(Mac OS X 10.10), 7.0.6(Mac OS X 10.9), 6.0.2 (Mac OS X 10.8, 10.7 only), 5.1.7) * Mac OS X only
Central Management Software	SmartViewer
ENVIRONMENTAL	
Operating Temperature / Humidity	-30°C ~ +55°C (-22°F ~ +131°F) / Less than 90% RH *Start up should be done at above -20°C (-4°F)
Storage Temperature / Humidity	-30°C ~ +60°C (-22°F ~ +140°F) / Less than 90% RH
Ingress Protection	IP66
Vandal Resistance	IK10
ELECTRICAL	
Input Voltage / Current	PoE (IEEE802.3af, Class2)
Power Consumption	Max. 5.9W
MECHANICAL	
Color / Material	Dark gray / Metal
Dimensions (WxH)	$\varnothing 70.0$ x 246.0mm ($\varnothing 2.76$ " x 9.69") (Without sunshield)
Weight	650g (1.43 lb)

* Data recorded on an SD memory card may be lost or damaged by data access during power-off, mechanical shock, memory card detachment, or other operations. Data loss or damage can also occur when a memory card reaches end of life, which varies according to operational conditions. No guarantee is given against damage (including passive damage).

* The latest product information / specification can be found at www.samsungsecurity.com

SND-L6013

2Megapixel Full HD Network Dome Camera

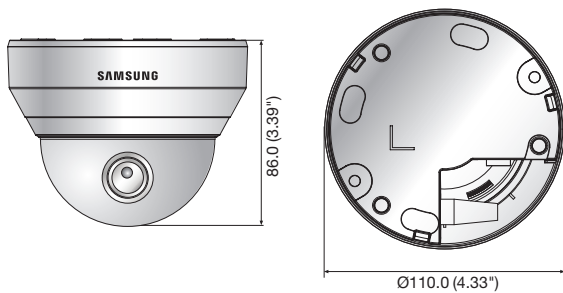


Key Features

- Max. 2M (1920 x 1080) resolution
- 3.6mm fixed lens
- 0.15Lux@F1.8 (Color), 0.15Lux@F1.8 (B/W)
- 30fps@all resolutions (H.264)
- H.264, MJPEG dual codec, Multiple streaming
- Motion detection, Tampering
- micro SD/SDHC memory slot, PoE
- Hallway view support (Rotate 90°/270°)
- LDC support (Lens Distortion Correction)

Dimensions

Unit : mm (inch)



Accessories (Optional)



SBP-301HM7 SBP-300LM SBP-300CM SBP-300WM1 SBP-300WM SBP-300B SBP-300PM SBP-300KM

* Data recorded on an SD memory card may be lost or damaged by data access during power-off, mechanical shock, memory card detachment, or other operations. Data loss or damage can also occur when a memory card reaches end of life, which varies according to operational conditions. No guarantee is given against damage (including passive damage).

SND-L6013N/P

VIDEO	
Imaging Device	1/2.9" 2.19M CMOS
Total Pixels	2,000(H) x 1,121(V)
Effective Pixels	1,984(H) x 1,105(V)
Scanning System	Progressive
Min. Illumination	Color : 0.15Lux (1/30sec, F1.8), 0.003Lux (2sec, F1.8) B/W : 0.15Lux (1/30sec, F1.8)
LENS	
Focal Length (Zoom Ratio)	3.6mm fixed
Max. Aperture Ratio	F1.8
Angular Field of View	H : 86.5° / V : 47.8° / D : 101.2°
Min. Object Distance	0.5m (1.64ft)
Lens Type	Fixed
Mount Type	Board type
PAN / TILT / ROTATE	
Pan / Tilt / Rotate Range	0° ~ 350° / 0° ~ 67° / 0° ~ 355°
OPERATIONAL	
Camera Title	Off / On (Displayed up to 15 characters)
Day & Night	Electric Day & Night
Backlight Compensation	Off / BLC
Contrast Enhancement	SSDR (Samsung Super Dynamic Range) (Off / On)
Digital Noise Reduction	SSNR (Off / On)
Motion Detection	Off / On (4ea rectangular zones)
Privacy Masking	Off / On (6ea rectangular zones)
Gain Control	Off / Low / Middle / High
White Balance	ATW / AWC / Manual / Indoor / Outdoor
LDC (Lens Distortion Correction)	Off / On (5 levels with min / max)
Electronic Shutter Speed	Minimum / Maximum / Anti flicker
Flip / Mirror	Flip / Mirror / Hallway view
Intelligent Video Analytics	Motion detection with metadata, Tampering
Alarm Triggers	Motion detection, Tampering detection, SD card error, NAS error
Alarm Events	File upload via FTP and E-mail, Local storage recording at event, Notification via E-mail
NETWORK	
Ethernet	RJ-45 (10/100BASE-T)
Video Compression Format	H.264, MJPEG
Resolution	1920 x 1080, 1280 x 960, 1280 x 720, 1024 x 768, 800 x 600, 720 x 576, 640 x 480, 320 x 240
Max. Framerate	H.264 : Max. 30fps at all resolutions MJPEG : Max. 1fps at 1920 x 1080, 1280 x 960, 1280 x 720, 1024 x 768, Max. 15fps at other resolution
Video Quality Adjustment	H.264 : Target bitrate level control, MJPEG : Quality level control
Bitrate Control Method	H.264 : CBR or VBR, MJPEG : VBR
Streaming Capability	Multiple streaming (Up to 3 profiles)
Audio I/O	Built-in mic
Audio Compression Format	G.711 u-law / G.726 selectable G.726 (ADPCM) 8KHz, G.711 8KHz, G.726 : 16Kbps, 24Kbps, 32Kbps, 40Kbps
Audio Communication	Uni-directional audio
IP	IPv4, IPv6
Protocol	TCP/IP, UDP/IP, RTP(UDP), RTP(TCP), RTCP, RTSP, NTP, HTTP, HTTPS, SSL, DHCP, PPPoE, FTP, SMTP, ICMP, IGMP, SNMPv1/v2c/v3(MIB-2), ARP, DNS, DDNS, QoS, PIM-SM, UPnP, Bonjour
Security	HTTPS(SSL) login authentication, Digest login authentication IP address filtering, User access log, 802.1x authentication
Streaming Method	Unicast / Multicast
Max. User Access	6 users at unicast mode
Storage	micro SD/SDHC max. 32G, NAS - Motion images recorded in the SD memory card can be downloaded - Manual recording at local PC
Application Programming Interface	ONVIF Profile S, G, SUNAPI (HTTP API)
Webpage Language	English, French, German, Spanish, Italian, Chinese, Korean, Russian, Japanese, Swedish, Danish, Portuguese, Turkish, Polish, Czech, Rumanian, Serbian, Dutch, Croatian, Hungarian, Greek, Norwegian, Finnish
Web Viewer	Supported OS : Windows XP / VISTA / 7 / 8 / 8.1, MAC OS X 10.7 ~ 10.10 Supported Browser : Microsoft Internet Explorer (Ver. 8 ~ 11), Mozilla Firefox (Ver. 9 ~ 35), Google Chrome (Ver. 15 ~ 40), Apple Safari (Ver. 8.0.2(Mac OS X 10.10), 7.0.6(Mac OS X 10.9), 6.0.2 (Mac OS X 10.8, 10.7 only), 5.1.7) * Mac OS X only
Central Management Software	SmartViewer
ENVIRONMENTAL	
Operating Temperature / Humidity	-10°C ~ +55°C (+14°F ~ +131°F) / Less than 90% RH
Storage Temperature / Humidity	-30°C ~ +60°C (-22°F ~ +140°F) / Less than 90% RH
ELECTRICAL	
Input Voltage / Current	PoE (IEEE802.3af, Class2)
Power Consumption	Max. 2.4W
MECHANICAL	
Color / Material	Ivory / Plastic
Dimensions (WxH)	Ø110.0 x 86.0mm (Ø4.33" x 3.39")
Weight	250g (0.55 lb)

* The latest product information / specification can be found at www.samsungsecurity.com

SND-L6012

2Megapixel Full HD Network Dome Camera

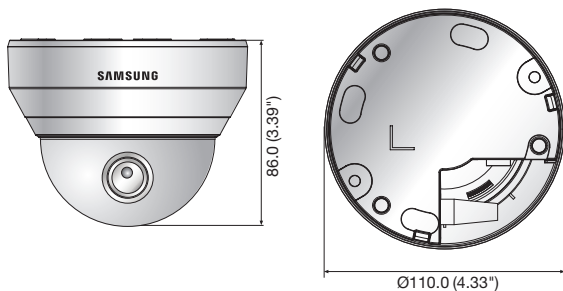


Key Features

- Max. 2M (1920 x 1080) resolution
- 2.8mm fixed lens
- 0.15Lux@F1.8 (Color), 0.15Lux@F1.8 (B/W)
- 30fps@all resolutions (H.264)
- H.264, MJPEG dual codec, Multiple streaming
- Motion detection, Tampering
- micro SD/SDHC memory slot, PoE
- Hallway view support (Rotate 90°/270°)
- LDC support (Lens Distortion Correction)

Dimensions

Unit : mm (inch)



Accessories (Optional)



SBP-301HM7 SBP-300LM SBP-300CM SBP-300WM1 SBP-300WM SBP-300B SBP-300PM SBP-300KM

* Data recorded on an SD memory card may be lost or damaged by data access during power-off, mechanical shock, memory card detachment, or other operations. Data loss or damage can also occur when a memory card reaches end of life, which varies according to operational conditions. No guarantee is given against damage (including passive damage).

SND-L6012N/P

VIDEO	
Imaging Device	1/2.9" 2.19M CMOS
Total Pixels	2,000(H) x 1,121(V)
Effective Pixels	1,984(H) x 1,105(V)
Scanning System	Progressive
Min. Illumination	Color : 0.15Lux (1/30sec, F1.8), 0.003Lux (2sec, F1.8) B/W : 0.15Lux (1/30sec, F1.8)
LENS	
Focal Length (Zoom Ratio)	2.8mm fixed
Max. Aperture Ratio	F1.8
Angular Field of View	H : 110° / V : 61° / D : 125°
Min. Object Distance	0.5m (1.64ft)
Lens Type	Fixed
Mount Type	Board type
PAN / TILT / ROTATE	
Pan / Tilt / Rotate Range	0° ~ 350° / 0° ~ 67° / 0° ~ 355°
OPERATIONAL	
Camera Title	Off / On (Displayed up to 15 characters)
Day & Night	Electric Day & Night
Backlight Compensation	Off / BLC
Contrast Enhancement	SSDR (Samsung Super Dynamic Range) (Off / On)
Digital Noise Reduction	SSNR (Off / On)
Motion Detection	Off / On (4ea rectangular zones)
Privacy Masking	Off / On (6ea rectangular zones)
Gain Control	Off / Low / Middle / High
White Balance	ATW / AWC / Manual / Indoor / Outdoor
LDC (Lens Distortion Correction)	Off / On (5 levels with min / max)
Electronic Shutter Speed	Minimum / Maximum / Anti flicker
Flip / Mirror	Flip / Mirror / Hallway view
Intelligent Video Analytics	Motion detection with metadata, Tampering
Alarm Triggers	Motion detection, Tampering detection, SD card error, NAS error
Alarm Events	File upload via FTP and E-mail, Local storage recording at event, Notification via E-mail
NETWORK	
Ethernet	RJ-45 (10/100BASE-T)
Video Compression Format	H.264, MJPEG
Resolution	1920 x 1080, 1280 x 960, 1280 x 720, 1024 x 768, 800 x 600, 720 x 576, 640 x 480, 320 x 240
Max. Framerate	H.264 : Max. 30fps at all resolutions MJPEG : Max. 1fps at 1920 x 1080, 1280 x 960, 1280 x 720, 1024 x 768, Max. 15fps at other resolution
Video Quality Adjustment	H.264 : Target bitrate level control, MJPEG : Quality level control
Bitrate Control Method	H.264 : CBR or VBR, MJPEG : VBR
Streaming Capability	Multiple streaming (Up to 3 profiles)
Audio I/O	Built-in mic
Audio Compression Format	G.711 u-law / G.726 selectable G.726 (ADPCM) 8KHz, G.711 8KHz, G.726 : 16Kbps, 24Kbps, 32Kbps, 40Kbps
Audio Communication	Uni-directional audio
IP	IPv4, IPv6
Protocol	TCP/IP, UDP/IP, RTP(UDP), RTP(TCP), RTCP, RTSP, NTP, HTTP, HTTPS, SSL, DHCP, PPPoE, FTP, SMTP, ICMP, IGMP, SNMPv1/v2c/v3(MIB-2), ARP, DNS, DDNS, QoS, PIM-SM, UPnP, Bonjour
Security	HTTPS(SSL) login authentication, Digest login authentication IP address filtering, User access log, 802.1x authentication
Streaming Method	Unicast / Multicast
Max. User Access	6 users at unicast mode
Storage	micro SD/SDHC max. 32G, NAS - Motion images recorded in the SD memory card can be downloaded - Manual recording at local PC
Application Programming Interface	ONVIF Profile S, G, SUNAPI (HTTP API)
Webpage Language	English, French, German, Spanish, Italian, Chinese, Korean, Russian, Japanese, Swedish, Danish, Portuguese, Turkish, Polish, Czech, Rumanian, Serbian, Dutch, Croatian, Hungarian, Greek, Norwegian, Finnish
Web Viewer	Supported OS : Windows XP / VISTA / 7 / 8 / 8.1, MAC OS X 10.7 ~ 10.10 Supported Browser : Microsoft Internet Explorer (Ver. 8 ~ 11), Mozilla Firefox (Ver. 9 ~ 35), Google Chrome (Ver. 15 ~ 40), Apple Safari (Ver. 8.0.2(Mac OS X 10.10), 7.0.6(Mac OS X 10.9), 6.0.2 (Mac OS X 10.8, 10.7 only), 5.1.7) * Mac OS X only
Central Management Software	SmartViewer
ENVIRONMENTAL	
Operating Temperature / Humidity	-10°C ~ +55°C (+14°F ~ +131°F) / Less than 90% RH
Storage Temperature / Humidity	-30°C ~ +60°C (-22°F ~ +140°F) / Less than 90% RH
ELECTRICAL	
Input Voltage / Current	PoE (IEEE802.3af, Class2)
Power Consumption	Max. 2.4W
MECHANICAL	
Color / Material	Ivory / Plastic
Dimensions (WxH)	Ø110.0 x 86.0mm (Ø4.33" x 3.39")
Weight	240g (0.53 lb)

* The latest product information / specification can be found at www.samsungsecurity.com

SND-L5013

1.3Megapixel HD Network Dome Camera

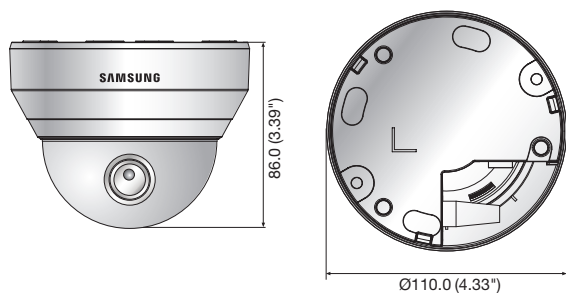


Key Features

- Max. 1.3M (1280 x 1024) resolution
- 16 : 9 HD (720P) resolution support
- 3.6mm fixed lens
- 0.085Lux@F1.8 (Color), 0.085Lux@F1.8 (B/W)
- 30fps@all resolutions (H.264)
- H.264, MJPEG dual codec, Multiple streaming
- Motion detection, Tampering
- micro SD/SDHC memory slot, PoE
- Hallway view support (Rotate 90°/270°)
- LDC support (Lens Distortion Correction)

Dimensions

Unit : mm (inch)



Accessories (Optional)



SBP-301HM7 SBP-300LM SBP-300CM SBP-300WM1 SBP-300WM SBP-300B SBP-300PM SBP-300KM

* Data recorded on an SD memory card may be lost or damaged by data access during power-off, mechanical shock, memory card detachment, or other operations. Data loss or damage can also occur when a memory card reaches end of life, which varies according to operational conditions. No guarantee is given against damage (including passive damage).

SND-L5013N/P

VIDEO	
Imaging Device	1/3" 1.37M CMOS
Total Pixels	1,312(H) x 1,069(V)
Effective Pixels	1,305(H) x 1,049(V)
Scanning System	Progressive
Min. Illumination	Color : 0.085Lux (1/30sec, F1.8), 0.0008Lux (2sec, F1.8) B/W : 0.085Lux (1/30sec, F1.8)
LENS	
Focal Length (Zoom Ratio)	3.6mm fixed
Max. Aperture Ratio	F1.8
Angular Field of View	H : 74° / V : 58° / D : 97°
Min. Object Distance	0.5m (1.64ft)
Lens Type	Fixed
Mount Type	Board type
PAN / TILT / ROTATE	
Pan / Tilt / Rotate Range	0° ~ 350° / 0° ~ 67° / 0° ~ 355°
OPERATIONAL	
Camera Title	Off / On (Displayed up to 15 characters)
Day & Night	Electric Day & Night
Backlight Compensation	Off / BLC
Contrast Enhancement	SSDR (Samsung Super Dynamic Range) (Off / On)
Digital Noise Reduction	SSNR (Off / On)
Motion Detection	Off / On (4ea rectangular zones)
Privacy Masking	Off / On (6ea rectangular zones)
Gain Control	Off / Low / Middle / High
White Balance	ATW / AWC / Manual / Indoor / Outdoor
LDC (Lens Distortion Correction)	Off / On (5 levels with min / max)
Electronic Shutter Speed	Minimum / Maximum / Anti flicker
Flip / Mirror	Flip / Mirror / Hallway view
Intelligent Video Analytics	Motion detection with metadata, Tampering
Alarm Triggers	Motion detection, Tampering detection, SD card error, NAS error
Alarm Events	File upload via FTP and E-mail, Local storage recording at event, Notification via E-mail
NETWORK	
Ethernet	RJ-45 (10/100BASE-T)
Video Compression Format	H.264, MJPEG
Resolution	1280 x 1024, 1280 x 960, 1280 x 720, 1024 x 768, 800 x 600, 720 x 576, 640 x 480, 320 x 240
Max. Framerate	H.264 : Max. 30fps at all resolutions MJPEG : Max. 1fps at 1280 x 1024, 1280 x 960, 1280 x 720, 1024 x 768, Max. 15fps at other resolution
Video Quality Adjustment	H.264 : Target bitrate level control, MJPEG : Quality level control
Bitrate Control Method	H.264 : CBR or VBR, MJPEG : VBR
Streaming Capability	Multiple streaming (Up to 3 profiles)
Audio I/O	Built-in mic
Audio Compression Format	G.711 u-law / G.726 selectable G.726 (ADPCM) 8KHz, G.711 8KHz, G.726 : 16Kbps, 24Kbps, 32Kbps, 40Kbps
Audio Communication	Uni-directional audio
IP	IPv4, IPv6
Protocol	TCP/IP, UDP/IP, RTP(UDP), RTP(TCP), RTCP, RTSP, NTP, HTTP, HTTPS, SSL, DHCP, PPPoE, FTP, SMTP, ICMP, IGMP, SNMPv1/v2c/v3(MIB-2), ARP, DNS, DDNS, QoS, PIM-SM, UPnP, Bonjour
Security	HTTPS(SSL) login authentication, Digest login authentication IP address filtering, User access log, 802.1x authentication
Streaming Method	Unicast / Multicast
Max. User Access	6 users at unicast mode
Storage	micro SD/SDHC max. 32G, NAS - Motion images recorded in the SD memory card can be downloaded - Manual recording at local PC
Application Programming Interface	ONVIF Profile S, G, SUNAPI (HTTP API)
Webpage Language	English, French, German, Spanish, Italian, Chinese, Korean, Russian, Japanese, Swedish, Danish, Portuguese, Turkish, Polish, Czech, Rumanian, Serbian, Dutch, Croatian, Hungarian, Greek, Norwegian, Finnish
Web Viewer	Supported OS : Windows XP / VISTA / 7 / 8 / 8.1, MAC OS X 10.7 ~ 10.10 Supported Browser : Microsoft Internet Explorer (Ver. 8 ~ 11), Mozilla Firefox (Ver. 9 ~ 35), Google Chrome (Ver. 15 ~ 40), Apple Safari (Ver. 8.0.2(Mac OS X 10.10), 7.0.6(Mac OS X 10.9), 6.0.2 (Mac OS X 10.8, 10.7 only), 5.1.7) * Mac OS X only
Central Management Software	SmartViewer
ENVIRONMENTAL	
Operating Temperature / Humidity	-10°C ~ +55°C (+14°F ~ +131°F) / Less than 90% RH
Storage Temperature / Humidity	-30°C ~ +60°C (-22°F ~ +140°F) / Less than 90% RH
ELECTRICAL	
Input Voltage / Current	PoE (IEEE802.3af, Class2)
Power Consumption	Max. 2.4W
MECHANICAL	
Color / Material	Ivory / Plastic
Dimensions (WxH)	Ø110.0 x 86.0mm (Ø4.33" x 3.39")
Weight	240g (0.53 lb)

* The latest product information / specification can be found at www.samsungsecurity.com

SND-L6083R

2Megapixel Full HD Network IR Dome Camera

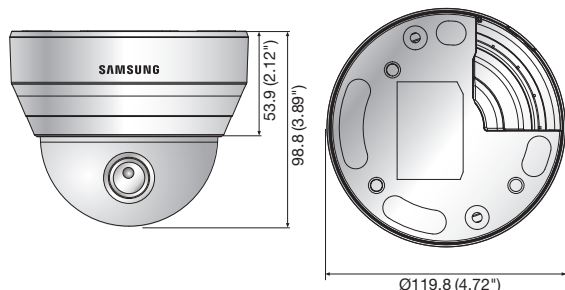


Key Features

- Max. 2M (1920 x 1080) resolution
- 2.8 ~ 12mm (4.3x) varifocal lens
- 0.095Lux@F1.4 (Color), 0Lux@F1.4 (B/W : IR LED on)
- 30fps@all resolutions (H.264)
- H.264, MJPEG dual codec, Multiple streaming
- Motion detection, Tampering
- micro SD/SDHC memory slot, PoE
- IR viewable length 15m
- Hallway view support (Rotate 90°/270°)
- LDC support (Lens Distortion Correction)

Dimensions

Unit : mm (inch)



Accessories (Optional)



SND-L6083RN/P	
VIDEO	
Imaging Device	1/2.9" 2.19M CMOS
Total Pixels	2,000(H) x 1,121(V)
Effective Pixels	1,984(H) x 1,105(V)
Scanning System	Progressive
Min. Illumination	Color : 0.095Lux (1/30sec, F1.4), 0.002Lux (2sec, F1.4) B/W : 0Lux (IR LED on)
LENS	
Focal Length (Zoom Ratio)	2.8 ~ 12mm (4.3x) varifocal
Max. Aperture Ratio	F1.4
Angular Field of View	H : 103.8°(Wide) ~ 32.4°(Tele) / V : 53.7°(Wide) ~ 18.4°(Tele) / D : 121.9°(Wide) ~ 37.1°(Tele)
Min. Object Distance	0.5m (1.64ft)
Focus Control	Manual
Lens Type	DC auto iris
Mount Type	Board type
PAN / TILT / ROTATE	
Pan / Tilt / Rotate Range	0° ~ 350° / 0° ~ 67° / 0° ~ 355°
OPERATIONAL	
IR Viewable Length	15m (49.21ft)
Camera Title	Off / On (Displayed up to 15 characters)
Day & Night	True Day & Night
Backlight Compensation	Off / BLC
Contrast Enhancement	SSDR (Samsung Super Dynamic Range) (Off / On)
Digital Noise Reduction	SSNR (Off / On)
Motion Detection	Off / On (4ea rectangular zones)
Privacy Masking	Off / On (6ea rectangular zones)
Gain Control	Off / Low / Middle / High
White Balance	ATW / AWC / Manual / Indoor / Outdoor
LDC (Lens Distortion Correction)	Off / On (5 levels with min / max)
Electronic Shutter Speed	Minimum / Maximum / Anti flicker
Flip / Mirror	Flip / Mirror / Hallway view
Intelligent Video Analytics	Motion detection with metadata, Tampering
Alarm Triggers	Motion detection, Tampering detection, SD card error, NAS error
Alarm Events	File upload via FTP and E-mail, Local storage recording at event, Notification via E-mail
NETWORK	
Ethernet	RJ-45 (10/100BASE-T)
Video Compression Format	H.264, MJPEG
Resolution	1920 x 1080, 1280 x 960, 1280 x 720, 1024 x 768, 800 x 600, 720 x 576, 640 x 480, 320 x 240
Max. Framerate	H.264 : Max. 30fps at all resolutions MJPEG : Max. 1fps at 1920 x 1080, 1280 x 960, 1280 x 720, 1024 x 768, Max. 15fps at other resolution
Video Quality Adjustment	H.264 : Target bitrate level control, MJPEG : Quality level control
Bitrate Control Method	H.264 : CBR or VBR, MJPEG : VBR
Streaming Capability	Multiple streaming (Up to 3 profiles)
Audio I/O	Built-in mic
Audio Compression Format	G.711 u-law / G.726 selectable G.726 (ADPCM) 8KHz, G.711 8KHz, G.726 : 16Kbps, 24Kbps, 32Kbps, 40Kbps
Audio Communication	Uni-directional audio
IP	IPv4, IPv6
Protocol	TCP/IP, UDP/IP, RTP(UDP), RTP(TCP), RTCP, RTSP, NTP, HTTP, HTTPS, SSL, DHCP, PPPoE, FTP, SMTp, ICMP, IGMP, SNMPv1/v2c/v3(MIB-2), ARP, DNS, DDNS, QoS, PIM-SM, UPnP, Bonjour
Security	HTTPS(SSL) login authentication, Digest login authentication IP address filtering, User access log, 802.1x authentication
Streaming Method	Unicast / Multicast
Max. User Access	6 users at unicast mode
Storage	micro SD/SDHC max. 32G, NAS - Motion images recorded in the SD memory card can be downloaded - Manual recording at local PC
Application Programming Interface	ONVIF Profile S, G, SUNAPI (HTTP API)
Webpage Language	English, French, German, Spanish, Italian, Chinese, Korean, Russian, Japanese, Swedish, Danish, Portuguese, Turkish, Polish, Czech, Rumanian, Serbian, Dutch, Croatian, Hungarian, Greek, Norwegian, Finnish
Web Viewer	Supported OS : Windows XP / VISTA / 7 / 8 / 8.1, MAC OS X 10.7 ~ 10.10 Supported Browser : Microsoft Internet Explorer (Ver. 8 ~ 11), Mozilla Firefox (Ver. 9 ~ 35), Google Chrome (Ver. 15 ~ 40), Apple Safari (Ver. 8.0.2(Mac OS X 10.10), 7.0.6(Mac OS X 10.9), 6.0.2 (Mac OS X 10.8, 10.7 only), 5.1.7) * Mac OS X only
Central Management Software	SmartViewer
ENVIRONMENTAL	
Operating Temperature / Humidity	-10°C ~ +55°C (+14°F ~ +131°F) / Less than 90% RH
Storage Temperature / Humidity	-30°C ~ +60°C (-22°F ~ +140°F) / Less than 90% RH
ELECTRICAL	
Input Voltage / Current	PoE (IEEE802.3af, Class2)
Power Consumption	Max. 5.4W
MECHANICAL	
Color / Material	Ivory / Plastic
Dimensions (WxH)	Ø119.8 x 98.8mm (Ø4.72" x 3.89")
Weight	290g (0.64 lb)

* The latest product information / specification can be found at www.samsungsecurity.com

* Data recorded on an SD memory card may be lost or damaged by data access during power-off, mechanical shock, memory card detachment, or other operations. Data loss or damage can also occur when a memory card reaches end of life, which varies according to operational conditions. No guarantee is given against damage (including passive damage).

SND-L6013R

2Megapixel Full HD Network IR Dome Camera

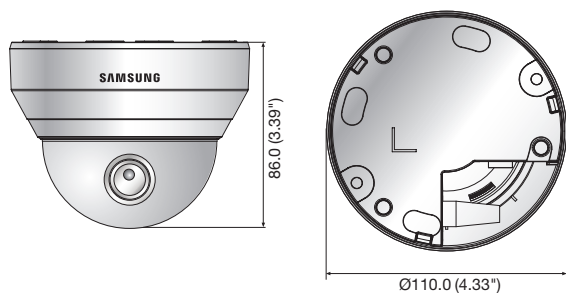


Key Features

- Max. 2M (1920 x 1080) resolution
- 3.6mm fixed lens
- 0.15Lux@F1.8 (Color), 0Lux@F1.8 (B/W : IR LED on)
- 30fps@all resolutions (H.264)
- H.264, MJPEG dual codec, Multiple streaming
- Motion detection, Tampering
- micro SD/SDHC memory slot, PoE
- IR viewable length 15m
- Hallway view support (Rotate 90°/270°)
- LDC support (Lens Distortion Correction)

Dimensions

Unit : mm (inch)



Accessories (Optional)



SBP-301HM7 SBP-300LM SBP-300CM SBP-300WM1 SBP-300WM SBP-300B SBP-300PM SBP-300KM

SND-L6013RN/P

VIDEO	
Imaging Device	1/2.9" 2.19M CMOS
Total Pixels	2,000(H) x 1,121(V)
Effective Pixels	1,984(H) x 1,105(V)
Scanning System	Progressive
Min. Illumination	Color : 0.15Lux (1/30sec, F1.8), 0.003Lux (2sec, F1.8) B/W : 0Lux (IR LED on)
LENS	
Focal Length (Zoom Ratio)	3.6mm fixed
Max. Aperture Ratio	F1.8
Angular Field of View	H : 86.5° / V : 47.8° / D : 101.2°
Min. Object Distance	0.5m (1.64ft)
Lens Type	Fixed
Mount Type	Board type
PAN / TILT / ROTATE	
Pan / Tilt / Rotate Range	0° ~ 350° / 0° ~ 67° / 0° ~ 355°
OPERATIONAL	
IR Viewable Length	15m (49.21ft)
Camera Title	Off / On (Displayed up to 15 characters)
Day & Night	True Day & Night
Backlight Compensation	Off / BLC
Contrast Enhancement	SSDR (Samsung Super Dynamic Range) (Off / On)
Digital Noise Reduction	SSNR (Off / On)
Motion Detection	Off / On (4ea rectangular zones)
Privacy Masking	Off / On (6ea rectangular zones)
Gain Control	Off / Low / Middle / High
White Balance	ATW / AWC / Manual / Indoor / Outdoor
LDC (Lens Distortion Correction)	Off / On (5 levels with min / max)
Electronic Shutter Speed	Minimum / Maximum / Anti flicker
Flip / Mirror	Flip / Mirror / Hallway view
Intelligent Video Analytics	Motion detection with metadata, Tampering
Alarm Triggers	Motion detection, Tampering detection, SD card error, NAS error
Alarm Events	File upload via FTP and E-mail, Local storage recording at event, Notification via E-mail
NETWORK	
Ethernet	RJ-45 (10/100BASE-T)
Video Compression Format	H.264, MJPEG
Resolution	1920 x 1080, 1280 x 960, 1280 x 720, 1024 x 768, 800 x 600, 720 x 576, 640 x 480, 320 x 240
Max. Framerate	H.264 : Max. 30fps at all resolutions MJPEG : Max. 1fps at 1920 x 1080, 1280 x 960, 1280 x 720, 1024 x 768, Max. 15fps at other resolution
Video Quality Adjustment	H.264 : Target bitrate level control, MJPEG : Quality level control
Bitrate Control Method	H.264 : CBR or VBR, MJPEG : VBR
Streaming Capability	Multiple streaming (Up to 3 profiles)
Audio I/O	Built-in mic
Audio Compression Format	G.711 u-law / G.726 selectable G.726 (ADPCM) 8KHz, G.711 8KHz, G.726 : 16Kbps, 24Kbps, 32Kbps, 40Kbps
Audio Communication	Uni-directional audio
IP	IPv4, IPv6
Protocol	TCP/IP, UDP/IP, RTP(UDP), RTP(TCP), RTCP, RTSP, NTP, HTTP, HTTPS, SSL, DHCP, PPPoE, FTP, SMTP, ICMP, IGMP, SNMPv1/v2c/v3(MIB-2), ARP, DNS, DDNS, QoS, PIM-SM, UPnP, Bonjour
Security	HTTPS(SSL) login authentication, Digest login authentication IP address filtering, User access log, 802.1x authentication
Streaming Method	Unicast / Multicast
Max. User Access	6 users at unicast mode
Storage	micro SD/SDHC max. 32G, NAS - Motion images recorded in the SD memory card can be downloaded - Manual recording at local PC
Application Programming Interface	ONVIF Profile S, G, SUNAPI (HTTP API)
Webpage Language	English, French, German, Spanish, Italian, Chinese, Korean, Russian, Japanese, Swedish, Danish, Portuguese, Turkish, Polish, Czech, Rumanian, Serbian, Dutch, Croatian, Hungarian, Greek, Norwegian, Finnish
Web Viewer	Supported OS : Windows XP / VISTA / 7 / 8 / 8.1, MAC OS X 10.7 ~ 10.10 Supported Browser : Microsoft Internet Explorer (Ver. 8 ~ 11), Mozilla Firefox (Ver. 9 ~ 35), Google Chrome (Ver. 15 ~ 40), Apple Safari (Ver. 8.0.2(Mac OS X 10.10), 7.0.6(Mac OS X 10.9), 6.0.2 (Mac OS X 10.8, 10.7 only), 5.1.7) * Mac OS X only
Central Management Software	SmartViewer
ENVIRONMENTAL	
Operating Temperature / Humidity	-10°C ~ +55°C (+14°F ~ +131°F) / Less than 90% RH
Storage Temperature / Humidity	-30°C ~ +60°C (-22°F ~ +140°F) / Less than 90% RH
ELECTRICAL	
Input Voltage / Current	PoE (IEEE802.3af, Class2)
Power Consumption	Max. 5.9W
MECHANICAL	
Color / Material	Ivory / Plastic
Dimensions (WxH)	Ø110.0 x 86.0mm (Ø4.33" x 3.39")
Weight	250g (0.55 lb)

* The latest product information / specification can be found at www.samsungsecurity.com

* Data recorded on an SD memory card may be lost or damaged by data access during power-off, mechanical shock, memory card detachment, or other operations. Data loss or damage can also occur when a memory card reaches end of life, which varies according to operational conditions. No guarantee is given against damage (including passive damage).

SND-L5083R

1.3Megapixel HD Network IR Dome Camera

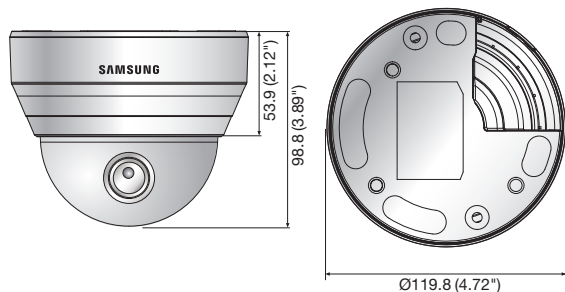


Key Features

- Max. 1.3M (1280 x 1024) resolution
- 16 : 9 HD (720P) resolution support
- 2.8 ~ 12mm (4.3x) varifocal lens
- 0.04Lux@F1.4 (Color), 0Lux@F1.4 (B/W : IR LED on)
- 30fps@all resolutions (H.264)
- H.264, MJPEG dual codec, Multiple streaming
- Motion detection, Tampering
- micro SD/SDHC memory slot, PoE
- IR viewable length 15m
- Hallway view support (Rotate 90°/270°)
- LDC support (Lens Distortion Correction)

Dimensions

Unit : mm (inch)



Accessories (Optional)



* Data recorded on an SD memory card may be lost or damaged by data access during power-off, mechanical shock, memory card detachment, or other operations. Data loss or damage can also occur when a memory card reaches end of life, which varies according to operational conditions. No guarantee is given against damage (including passive damage).

SND-L5083RN/P

VIDEO	
Imaging Device	1/3" 1.37M CMOS
Total Pixels	1,312(H) x 1,069(V)
Effective Pixels	1,305(H) x 1,049(V)
Scanning System	Progressive
Min. Illumination	Color : 0.04Lux (1/30sec, F1.4), 0.001Lux (2sec, F1.4) B/W : 0Lux (IR LED on)
LENS	
Focal Length (Zoom Ratio)	2.8 ~ 12mm (4.3x) varifocal
Max. Aperture Ratio	F1.4
Angular Field of View	H : 88.2°(Wide) ~ 28.6°(Tele) / V : 69.4°(Wide) ~ 23.0°(Tele) / D : 117.3°(Wide) ~ 36.2°(Tele)
Min. Object Distance	0.5m (1.64ft)
Focus Control	Manual
Lens Type	DC auto iris
Mount Type	Board type
PAN / TILT / ROTATE	
Pan / Tilt / Rotate Range	0° ~ 350° / 0° ~ 67° / 0° ~ 355°
OPERATIONAL	
IR Viewable Length	15m (49.21ft)
Camera Title	Off / On (Displayed up to 15 characters)
Day & Night	True Day & Night
Backlight Compensation	Off / BLC
Contrast Enhancement	SSDR (Samsung Super Dynamic Range) (Off / On)
Digital Noise Reduction	SSNR (Off / On)
Motion Detection	Off / On (4ea rectangular zones)
Privacy Masking	Off / On (6ea rectangular zones)
Gain Control	Off / Low / Middle / High
White Balance	ATW / AWC / Manual / Indoor / Outdoor
LDC (Lens Distortion Correction)	Off / On (5 levels with min / max)
Electronic Shutter Speed	Minimum / Maximum / Anti flicker
Flip / Mirror	Flip / Mirror / Hallway view
Intelligent Video Analytics	Motion detection with metadata, Tampering
Alarm Triggers	Motion detection, Tampering detection, SD card error, NAS error
Alarm Events	File upload via FTP and E-mail, Local storage recording at event, Notification via E-mail
NETWORK	
Ethernet	RJ-45 (10/100BASE-T)
Video Compression Format	H.264, MJPEG
Resolution	1280 x 1024, 1280 x 960, 1280 x 720, 1024 x 768, 800 x 600, 720 x 576, 640 x 480, 320 x 240
Max. Framerate	H.264 : Max. 30fps at all resolutions MJPEG : Max. 1fps at 1280 x 1024, 1280 x 960, 1280 x 720, 1024 x 768, Max. 15fps at other resolution
Video Quality Adjustment	H.264 : Target bitrate level control, MJPEG : Quality level control
Bitrate Control Method	H.264 : CBR or VBR, MJPEG : VBR
Streaming Capability	Multiple streaming (Up to 3 profiles)
Audio I/O	Built-in mic
Audio Compression Format	G.711 u-law / G.726 selectable G.726 (ADPCM) 8KHz, G.711 8KHz, G.726 : 16Kbps, 24Kbps, 32Kbps, 40Kbps
Audio Communication	Uni-directional audio
IP	IPv4, IPv6
Protocol	TCP/IP, UDP/IP, RTP(UDP), RTP(TCP), RTCP, RTSP, NTP, HTTP, HTTPS, SSL, DHCP, PPPoE, FTP, SMTp, ICMP, IGMP, SNMPv1/v2c/v3(MIB-2), ARP, DNS, DDNS, QoS, PIM-SM, UPnP, Bonjour
Security	HTTPS(SSL) login authentication, Digest login authentication IP address filtering, User access log, 802.1x authentication
Streaming Method	Unicast / Multicast
Max. User Access	6 users at unicast mode
Storage	micro SD/SDHC max. 32G, NAS - Motion images recorded in the SD memory card can be downloaded - Manual recording at local PC
Application Programming Interface	ONVIF Profile S, G, SUNAPI (HTTP API)
Webpage Language	English, French, German, Spanish, Italian, Chinese, Korean, Russian, Japanese, Swedish, Danish, Portuguese, Turkish, Polish, Czech, Rumanian, Serbian, Dutch, Croatian, Hungarian, Greek, Norwegian, Finnish
Web Viewer	Supported OS : Windows XP / VISTA / 7 / 8 / 8.1, MAC OS X 10.7 ~ 10.10 Supported Browser : Microsoft Internet Explorer (Ver. 8 ~ 11), Mozilla Firefox (Ver. 9 ~ 35), Google Chrome (Ver. 15 ~ 40), Apple Safari (Ver. 8.0.2(Mac OS X 10.10), 7.0.6(Mac OS X 10.9), 6.0.2 (Mac OS X 10.8, 10.7 only), 5.1.7) * Mac OS X only
Central Management Software	SmartViewer
ENVIRONMENTAL	
Operating Temperature / Humidity	-10°C ~ +55°C (+14°F ~ +131°F) / Less than 90% RH
Storage Temperature / Humidity	-30°C ~ +60°C (-22°F ~ +140°F) / Less than 90% RH
ELECTRICAL	
Input Voltage / Current	PoE (IEEE802.3af, Class2)
Power Consumption	Max. 5.4W
MECHANICAL	
Color / Material	Ivory / Plastic
Dimensions (WxH)	Ø119.8 x 98.8mm (Ø4.72" x 3.89")
Weight	290g (0.64 lb)

* The latest product information / specification can be found at www.samsungsecurity.com

SNV-L6083R

2Megapixel Full HD Vandal-Resistant Network IR Dome Camera

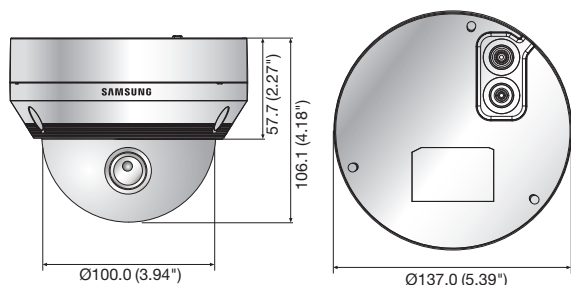


Key Features

- Max. 2M (1920 x 1080) resolution
- 2.8 ~ 12mm (4.3x) varifocal lens
- 0.095Lux@F1.4 (Color), 0Lux@F1.4 (B/W : IR LED on)
- 30fps@all resolutions (H.264)
- H.264, MJPEG dual codec, Multiple streaming
- Motion detection, Tampering
- micro SD/SDHC memory slot, PoE
- IR viewable length 20m, IP66, IK10
- Hallway view support (Rotate 90°/270°)
- LDC support (Lens Distortion Correction)

Dimensions

Unit : mm (inch)



Accessories (Optional)



* Data recorded on an SD memory card may be lost or damaged by data access during power-off, mechanical shock, memory card detachment, or other operations. Data loss or damage can also occur when a memory card reaches end of life, which varies according to operational conditions. No guarantee is given against damage (including passive damage).

SNV-L6083RN/P

VIDEO	
Imaging Device	1/2.9" 2.19M CMOS
Total Pixels	2,000(H) x 1,121(V)
Effective Pixels	1,984(H) x 1,105(V)
Scanning System	Progressive
Min. Illumination	Color : 0.095Lux (1/30sec, F1.4), 0.002Lux (2sec, F1.4) B/W : 0Lux (IR LED on)
LENS	
Focal Length (Zoom Ratio)	2.8 ~ 12mm (4.3x) varifocal
Max. Aperture Ratio	F1.4
Angular Field of View	H : 103.8°(Wide) ~ 32.4°(Tele) / V : 53.7°(Wide) ~ 18.4°(Tele) / D : 121.9°(Wide) ~ 37.1°(Tele)
Min. Object Distance	0.5m (1.64ft)
Focus Control	Manual
Lens Type	DC auto iris
Mount Type	Board type
PAN / TILT / ROTATE	
Pan / Tilt / Rotate Range	0° ~ 350° / 0° ~ 67° / 0° ~ 355°
OPERATIONAL	
IR Viewable Length	20m (65.62ft)
Camera Title	Off / On (Displayed up to 15 characters)
Day & Night	True Day & Night
Backlight Compensation	Off / BLC
Contrast Enhancement	SSDR (Samsung Super Dynamic Range) (Off / On)
Digital Noise Reduction	SSNR (Off / On)
Motion Detection	Off / On (4ea rectangular zones)
Privacy Masking	Off / On (6ea rectangular zones)
Gain Control	Off / Low / Middle / High
White Balance	ATW / AWC / Manual / Indoor / Outdoor
LDC (Lens Distortion Correction)	Off / On (5 levels with min / max)
Electronic Shutter Speed	Minimum / Maximum / Anti flicker
Flip / Mirror	Flip / Mirror / Hallway view
Intelligent Video Analytics	Motion detection with metadata, Tampering
Alarm Triggers	Motion detection, Tampering detection, SD card error, NAS error
Alarm Events	File upload via FTP and E-mail, Local storage recording at event, Notification via E-mail
NETWORK	
Ethernet	RJ-45 (10/100BASE-T)
Video Compression Format	H.264, MJPEG
Resolution	1920 x 1080, 1280 x 960, 1280 x 720, 1024 x 768, 800 x 600, 720 x 576, 640 x 480, 320 x 240
Max. Framerate	H.264 : Max. 30fps at all resolutions MJPEG : Max. 1fps at 1920 x 1080, 1280 x 960, 1280 x 720, 1024 x 768, Max. 15fps at other resolution
Video Quality Adjustment	H.264 : Target bitrate level control, MJPEG : Quality level control
Bitrate Control Method	H.264 : CBR or VBR, MJPEG : VBR
Streaming Capability	Multiple streaming (Up to 3 profiles)
Audio I/O	Line in
Audio Compression Format	G.711 u-law / G.726 selectable G.726 (ADPCM) 8KHz, G.711 8KHz, G.726 : 16Kbps, 24Kbps, 32Kbps, 40Kbps
Audio Communication	Uni-directional audio
IP	IPv4, IPv6
Protocol	TCP/IP, UDP/IP, RTP(UDP), RTP(TCP), RTCP, RTSP, NTP, HTTP, HTTPS, SSL, DHCP, PPPoE, FTP, SMTP, ICMP, IGMP, SNMPv1/v2c/v3(MIB-2), ARP, DNS, DDNS, QoS, PIM-SM, UPnP, Bonjour
Security	HTTPS(SSL) login authentication, Digest login authentication IP address filtering, User access log, 802.1x authentication
Streaming Method	Unicast / Multicast
Max. User Access	6 users at unicast mode
Storage	micro SD/SDHC max. 32G, NAS - Motion images recorded in the SD memory card can be downloaded - Manual recording at local PC
Application Programming Interface	ONVIF Profile S, G, SUNAPI (HTTP API)
Webpage Language	English, French, German, Spanish, Italian, Chinese, Korean, Russian, Japanese, Swedish, Danish, Portuguese, Turkish, Polish, Czech, Rumanian, Serbian, Dutch, Croatian, Hungarian, Greek, Norwegian, Finnish
Web Viewer	Supported OS : Windows XP / VISTA / 7 / 8 / 8.1, MAC OS X 10.7 ~ 10.10 Supported Browser : Microsoft Internet Explorer (Ver. 8 ~ 11), Mozilla Firefox (Ver. 9 ~ 35), Google Chrome (Ver. 15 ~ 40), Apple Safari (Ver. 8.0.2(Mac OS X 10.10), 7.0.6(Mac OS X 10.9), 6.0.2 (Mac OS X 10.8, 10.7 only), 5.1.7) * Mac OS X only
Central Management Software	SmartViewer
ENVIRONMENTAL	
Operating Temperature / Humidity	-30°C ~ +55°C (-22°F ~ +131°F) / Less than 90% RH *Start up should be done at above -20°C (-4°F)
Storage Temperature / Humidity	-30°C ~ +60°C (-22°F ~ +140°F) / Less than 90% RH
Ingress Protection	IP66
Vandal Resistance	IK10
ELECTRICAL	
Input Voltage / Current	PoE (IEEE802.3af, Class2)
Power Consumption	Max. 5.8W
MECHANICAL	
Color / Material	Ivory / Metal
Dimensions (WxH)	Ø137.0 x 106.1mm (Ø5.39" x 4.18")
Weight	670g (1.48 lb)

* The latest product information / specification can be found at www.samsungsecurity.com

SNV-L5083R

1.3Megapixel HD Vandal-Resistant Network IR Dome Camera

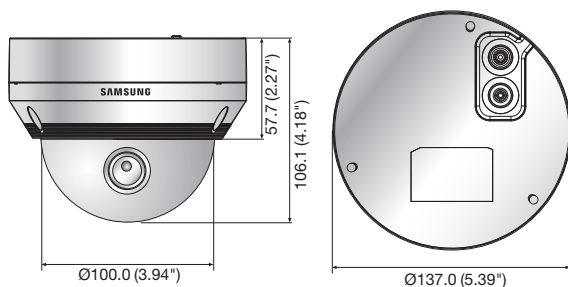


Key Features

- Max. 1.3M (1280 x 1024) resolution
- 16 : 9 HD (720P) resolution support
- 2.8 ~ 12mm (4.3x) varifocal lens
- 0.04Lux@F1.4 (Color), 0Lux@F1.4 (B/W : IR LED on)
- 30fps@all resolutions (H.264)
- H.264, MJPEG dual codec, Multiple streaming
- Motion detection, Tampering
- micro SD/SDHC memory slot, PoE
- IR viewable length 20m, IP66, IK10
- Hallway view support (Rotate 90°/270°)
- LDC support (Lens Distortion Correction)

Dimensions

Unit : mm (inch)



Accessories (Optional)



* Data recorded on an SD memory card may be lost or damaged by data access during power-off, mechanical shock, memory card detachment, or other operations. Data loss or damage can also occur when a memory card reaches end of life, which varies according to operational conditions. No guarantee is given against damage (including passive damage).

SNV-L5083RN/P

VIDEO	
Imaging Device	1/3" 1.37M CMOS
Total Pixels	1,312(H) x 1,069(V)
Effective Pixels	1,305(H) x 1,049(V)
Scanning System	Progressive
Min. Illumination	Color : 0.04Lux (1/30sec, F1.4), 0.001Lux (2sec, F1.4) B/W : 0Lux (IR LED on)
LENS	
Focal Length (Zoom Ratio)	2.8 ~ 12mm (4.3x) varifocal
Max. Aperture Ratio	F1.4
Angular Field of View	H : 88.2°(Wide) ~ 28.6°(Tele) / V : 69.4°(Wide) ~ 23.0°(Tele) / D : 117.3°(Wide) ~ 36.2°(Tele)
Min. Object Distance	0.5m (1.64ft)
Focus Control	Manual
Lens Type	DC auto iris
Mount Type	Board type
PAN / TILT / ROTATE	
Pan / Tilt / Rotate Range	0° ~ 350° / 0° ~ 67° / 0° ~ 355°
OPERATIONAL	
IR Viewable Length	20m (65.62ft)
Camera Title	Off / On (Displayed up to 15 characters)
Day & Night	True Day & Night
Backlight Compensation	Off / BLC
Contrast Enhancement	SSDR (Samsung Super Dynamic Range) (Off / On)
Digital Noise Reduction	SSNR (Off / On)
Motion Detection	Off / On (4ea rectangular zones)
Privacy Masking	Off / On (6ea rectangular zones)
Gain Control	Off / Low / Middle / High
White Balance	ATW / AWC / Manual / Indoor / Outdoor
LDC (Lens Distortion Correction)	Off / On (5 levels with min / max)
Electronic Shutter Speed	Minimum / Maximum / Anti flicker
Flip / Mirror	Flip / Mirror / Hallway view
Intelligent Video Analytics	Motion detection with metadata, Tampering
Alarm Triggers	Motion detection, Tampering detection, SD card error, NAS error
Alarm Events	File upload via FTP and E-mail, Local storage recording at event, Notification via E-mail
NETWORK	
Ethernet	RJ-45 (10/100BASE-T)
Video Compression Format	H.264, MJPEG
Resolution	1280 x 1024, 1280 x 960, 1280 x 720, 1024 x 768, 800 x 600, 720 x 576, 640 x 480, 320 x 240
Max. Framerate	H.264 : Max. 30fps at all resolutions MJPEG : Max. 1fps at 1280 x 1024, 1280 x 960, 1280 x 720, 1024 x 768, Max. 15fps at other resolution
Video Quality Adjustment	H.264 : Target bitrate level control, MJPEG : Quality level control
Bitrate Control Method	H.264 : CBR or VBR, MJPEG : VBR
Streaming Capability	Multiple streaming (Up to 3 profiles)
Audio I/O	Line in
Audio Compression Format	G.711 u-law / G.726 selectable G.726 (ADPCM) 8KHz, G.711 8KHz, G.726 : 16Kbps, 24Kbps, 32Kbps, 40Kbps
Audio Communication	Uni-directional audio
IP	IPv4, IPv6
Protocol	TCP/IP, UDP/IP, RTP(UDP), RTP(TCP), RTCP, RTSP, NTP, HTTP, HTTPS, SSL, DHCP, PPPoE, FTP, SMTP, ICMP, IGMP, SNMPv1/v2c/v3(MIB-2), ARP, DNS, DDNS, QoS, PIM-SM, UPnP, Bonjour
Security	HTTPS(SSL) login authentication, Digest login authentication IP address filtering, User access log, 802.1x authentication
Streaming Method	Unicast / Multicast
Max. User Access	6 users at unicast mode
Storage	micro SD/SDHC max. 32G, NAS - Motion images recorded in the SD memory card can be downloaded - Manual recording at local PC
Application Programming Interface	ONVIF Profile S, G, SUNAPI (HTTP API)
Webpage Language	English, French, German, Spanish, Italian, Chinese, Korean, Russian, Japanese, Swedish, Danish, Portuguese, Turkish, Polish, Czech, Rumanian, Serbian, Dutch, Croatian, Hungarian, Greek, Norwegian, Finnish
Web Viewer	Supported OS : Windows XP / VISTA / 7 / 8 / 8.1, MAC OS X 10.7 ~ 10.10 Supported Browser : Microsoft Internet Explorer (Ver. 8 ~ 11), Mozilla Firefox (Ver. 9 ~ 35), Google Chrome (Ver. 15 ~ 40), Apple Safari (Ver. 8.0.2(Mac OS X 10.10), 7.0.6(Mac OS X 10.9), 6.0.2 (Mac OS X 10.8, 10.7 only), 5.1.7) * Mac OS X only
Central Management Software	SmartViewer
ENVIRONMENTAL	
Operating Temperature / Humidity	-30°C ~ +55°C (-22°F ~ +131°F) / Less than 90% RH *Start up should be done at above -20°C (-4°F)
Storage Temperature / Humidity	-30°C ~ +60°C (-22°F ~ +140°F) / Less than 90% RH
Ingress Protection	IP66
Vandal Resistance	IK10
ELECTRICAL	
Input Voltage / Current	PoE (IEEE802.3af, Class2)
Power Consumption	Max. 5.8W
MECHANICAL	
Color / Material	Ivory / Metal
Dimensions (WxH)	Ø137.0 x 106.1mm (Ø5.39" x 4.18")
Weight	670g (1.48 lb)

* The latest product information / specification can be found at www.samsungsecurity.com

SAMSUNG TECHWIN CO., LTD.

6, Pangyo-ro 319beon-gil, Bundang-gu, Seongnam-si,
Gyeonggi-do, SEOUL 463-400 Rep. of KOREA
Tel : +82-70-7147-8753, 8764 Fax : +82-31-8018-3740
www.samsungsecurity.com

SAMSUNG TECHWIN EUROPE LTD.

2nd Floor, No. 5 The Heights, Brooklands, Weybridge, Surrey,
KT13 0NY, UK
Tel : +44-1932-82-6700 Fax : +44-1932-82-6701
www.samsungsecurity.co.uk

SAMSUNG TECHWIN AMERICA Inc.

100 Challenger Rd, Suite 700 Ridgely Park, NJ 07660
Toll Free : +1-877-213-1222 Direct : +1-201-325-6920
Fax : +1-201-373-0124
www.samsung-security.com

SAMSUNG TECHWIN AMERICA Inc.

Latin America Branch Office
5200 Blue Lagoon Dr, Ste 210, Miami, FL, 33126
Tel : +1-305-728-0975 Fax : +1-305-351-8900
www.samsung-security.com

SHANGHAI SAMSUNG TECHWIN CO., LTD.

32F, Blk B, New Caohejing International Business Center,
No. 391 Guiping Rd., Shanghai, China, 200233
Tel : +86-21-5427-1155 Fax : +86-21-5423-5122
www.samsungsecurity.cn

SAMSUNG TECHWIN CO., LTD.

Dubai Branch Office
Arenco Tower-803, Opposite American University of Dubai
Dubai Media City, Dubai, UAE.
Tel : +971-4-447-8601 Fax : +971-4-447-8666
www.samsungsecurity.com

