

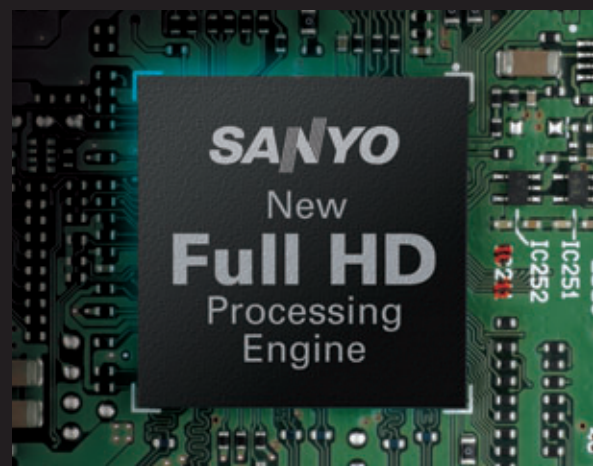
Think GAIA

For Life and the Earth

SANYO

Full HD PTZ Camera Series

VCC-HD5400P VCC-HD5600P



SANYO, the first choice for Full HD

- Built-in 10x AF megapixel-rated lens (6.3 to 63mm)
- 360-degree Continuous PTZ (Pan-Tilt-Zoom)
- 1080p Full HD, 25 ips Full Framerate with H.264
- Exclusive Xacti HD-Pro Engine and Optimum IP-Pro Engine
- Quad-Stream
- HDMI Output*1
- Digital Image Stabilizer
- Video Analytics
- Bidirectional Audio
- Edge Recording on SD Memory Card and External HDD*2

*1 Option for VCC-HD5600P

*2 Normal/Alarm/Back-up REC.

The use of Sanyo recommended SD card/ HDD.



VCC-HD5400P
Quad-Stream
Day/Night PTZ **DAY NIGHT**



VCC-HD5600P
Quad-Stream Day/Night
High-Speed PTZ **DAY NIGHT**

Technical Specifications

Camera

Model No.	VCC-HD5600P	VCC-HD5400P
Image sensor	1/2.5" Progressive Scan CMOS	
Number of pixels	Effective 16:9 1920 (H) x 1080 (V) 4:3 1600 (H) x 1200 (V)	
Minimum illumination (approx.)	Color 2.0 lux (F1.8), B/W 0.1 lux (F1.8)	
Video S/N ratio	More than 50 dB (AGC off)	
Lens	10x Optical Zoom, 16x Digital Zoom f=6.3 to 63mm, F1.8-2.5	
View angle	Horizontal	(16:9) 5.5 - 50.6° (4:3) 5.2 - 48.7°
	Vertical	(16:9) 3.1 - 29.3° (4:3) 3.9 - 37°
	Diagonal	(16:9) 6.2 - 57° (4:3) 6.5 - 58.8°
Auto focus	Auto/Manual/One-push	
Backlight compensation	Multi/Center/Face/Off, Mask settings possible	
White balance	ATW/AWC/MWB/Outdoor/Indoor/Fluorescent Adjustable R and B signals in MWB mode	
AGC	Normal/Middle/High/Off Adjustable, gain control in Off mode	
Electronic shutter	1/25, 1/50, 1/120, 1/250, 1/500, 1/1000, 1/2000, 1/4000, 1/10000 Long shutter : x1, x2, x4, x8, x16, x32	
Electronic iris	On/Off	
Gamma	0.45/1/Mode1/Mode2	
Aperture compensation	On/Off	
Day/Night	True Day/Night	
DNR	3D	
Title	16 Characters	
Motion detection	Yes, Video analytics	
Face detection	Yes	
Privacy mask	On/Off	
Image Stabilizer	Yes	

Network

Image compression	MJPEG / H.264	
Resolution	H.264	<16:9> 1920x1080 / 1280x720 / 640x360 / 320x180 <4:3> 1600x1200 / 1280x960 / 1024 x 768 / 640x480 / 320x240
	MJPEG	<16:9> 1920x1080 / 1280x720 / 1024x576 / 640x360 <4:3>1600x1200 / 1280x960 / 1024x768 / 800x600 / 640x480 / 320x240
Picture quality	Quality: (BASIC, NORMAL, ENHANCED, FINE, SUPER FINE) Bit rate: Changeable	
Frame rate	Max. 25 ips (1920x1080)	
Streaming number	4	
Video streaming	Multi stream H.264 and MJPEG (Max 1920x1080 25ips)	
Audio compression method	G.711, Bidirectional (Full duplex)	
Protocol	TCP/IP, UDP, HTTP, HTTPS, SMTP, NTP, DHCP, FTP, DDNS, RTP, RTSP	
Simultaneous access capacity	Max. 20	
Security	BASIC authentication (ID/password), SSL supported (Only JPEG), IP filtering	

Mechanical

Movement range	Panning	360° Endless pan	
	Tilting	-20° to +200°	
Movement speed	Panning	420°/sec (24V AC)	350°/sec (24V AC)
	Tilting	360°/sec (24V AC)	350°/sec (24V AC)
Preset positions	256 positions		
Auto mode	Sequence/auto pan/tour		
Auto return	On/Off		
Auto pursuit	On/Off		

Interface

Video output	Composite out (for adjustment only), HDMI*1	Composite out (for adjustment only), HDMI
SD memory card slot	1(SDHC)	
Network port	10BASE-T/100BASE-TX (RJ45 connector)	
Alarm input/output	8/2	4/2
Audio input/output	Mic in/Line out (3.5 Φmini jack)	
Communication	RS-485	
USB port	For dedicated HDD case only	

General

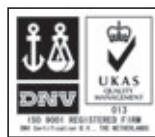
Environmental conditions	Operating	Temperature: -10 to +50°C Humidity: within 90% RH	
	Storage	Temperature: -20 to +70°C Humidity: within 70% RH	
Power supply	24V AC ±10%, 50 Hz*2 230V AC±10%, 50 Hz*3	24 V AC ±10%, 50 Hz, 12V DC, PoE	
Power consumption (approx.)	Power unit	29w (24V AC)	21w (24V AC/12V DC), 12.3w (PoE)
	Outdoor housing	35w*4	-
Dimensions (approx.) (Dia. x H)	Φ192 x 181mm	Φ124 x 153.4mm	
Weight (approx.)	1.90kg	1.35kg	

* Specifications, design and availability are subject to change without notice.

*1 Option *2 Combination with VCC-MCH5600P (Camera unit) and VA-94S (24V AC) (Power unit)

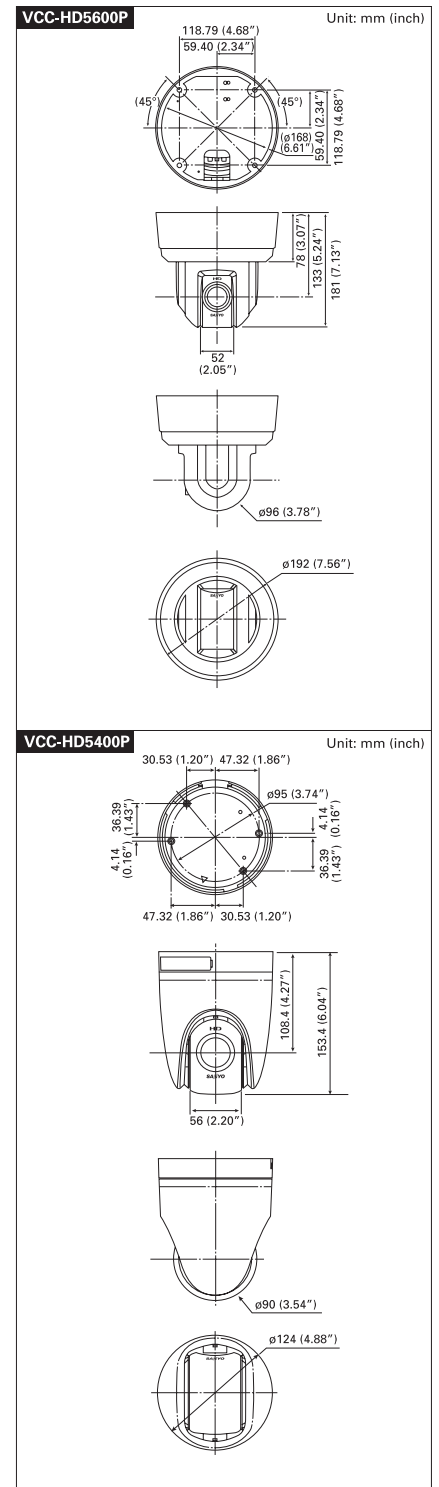
*3 Combination with VCC-MCH5600P (Camera unit) and VA-90S (230V AC) (Power unit) *4 Outdoor housing VA-80EX+CM8S/C

Caution: Please consult the instruction manual to ensure safe and proper operation of the product.



Digital System Company of SANYO Electric Co., Ltd. obtained Quality Management System ISO9001 and Environmental Management System ISO14001 certifications.

Dimensions



Distributed by:



www.use-ip.co.uk

01304 827609



SANYO Electric Co., Ltd.
Digital System Company
http://www.sanyosecurity.com

©2009 SANYO Printed in Japan 2009.10.NP
SMS 196