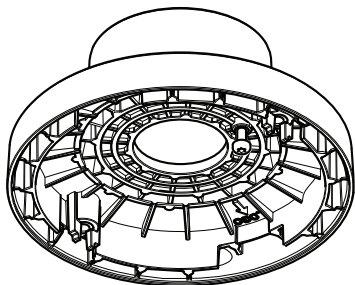


AXIS T94B02D Pendant Kit

Installation Guide



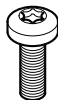
AXIS T94B02D Pendant Kit



1x

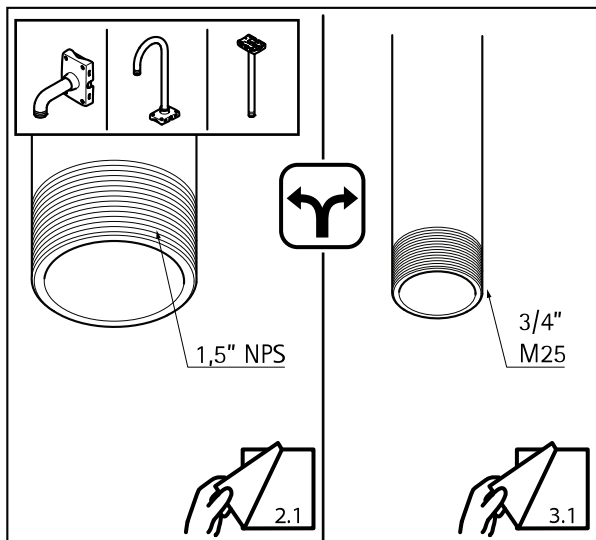


1x

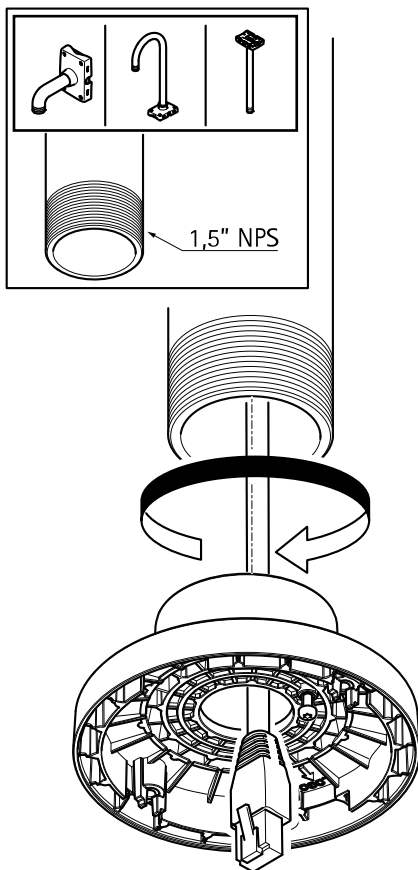


2x

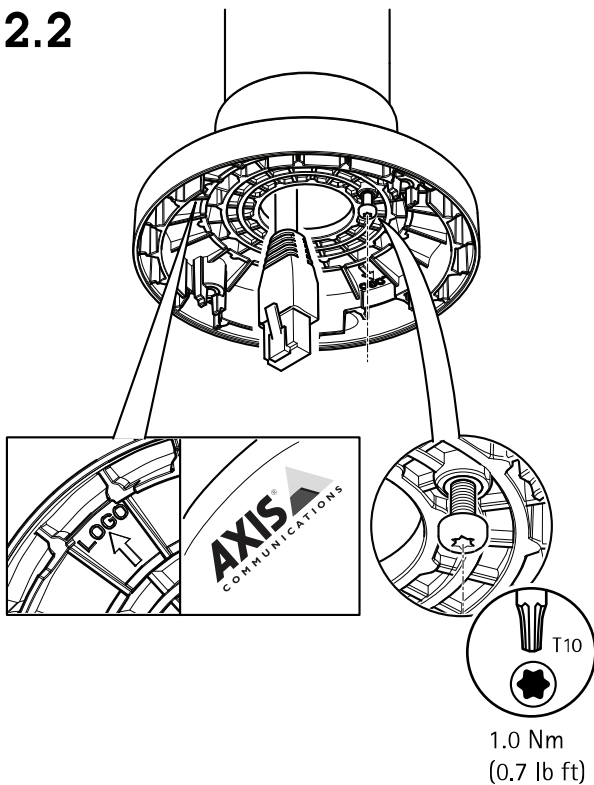
1.1



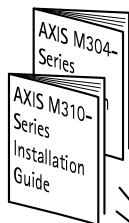
2.1



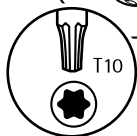
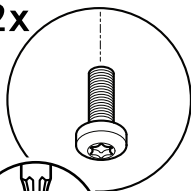
2.2



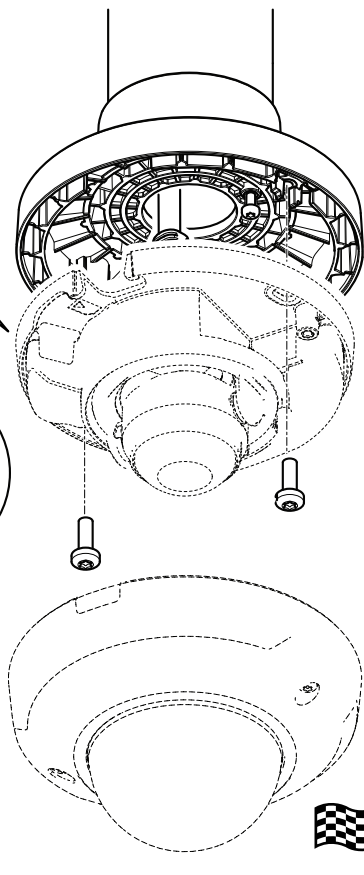
2.3



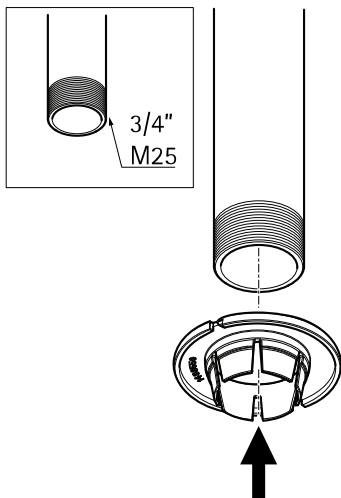
2x



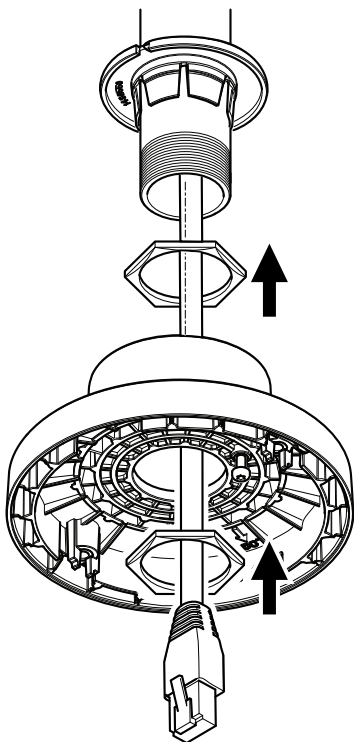
1.0 Nm
(0.7 lb ft)



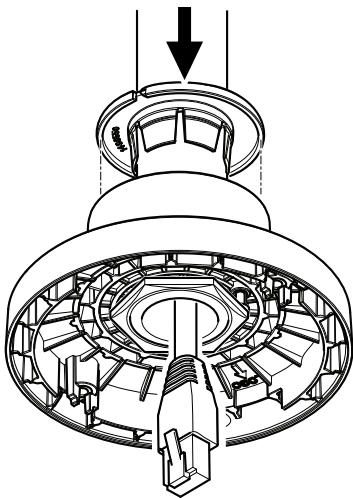
3.1



3.2



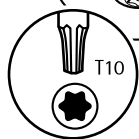
3.3



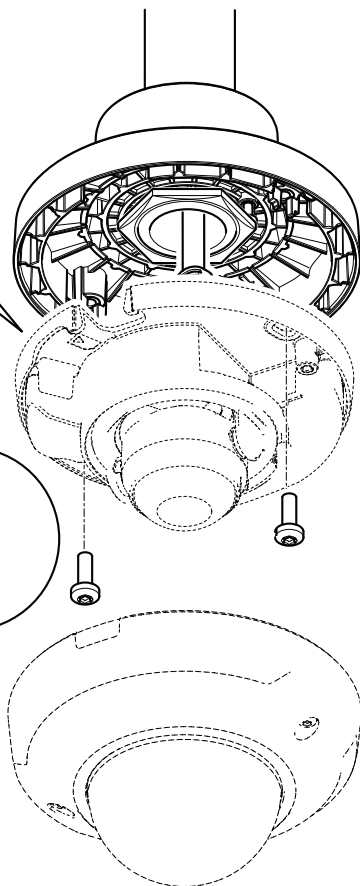
3.4

AXIS M304-
Series
AXIS M310-
Series
Installation
Guide

2x



1.0 Nm
(0.7 lb ft)



Installation Guide

AXIS T94B02D Pendant Kit

© Axis Communications AB, 2016

Ver. M2.3

Date: December 2016

Part No. 1701030