



Network

Dome

## XNV-6083Z

2MP AI Vandal Dome Camera



### Key Features

- 2MP resolution
- 2.8~12mm (4.3x) motorized varifocal
- Color: 0.01Lux(F1.4, 1/30sec, 30IRE)
- B/W : 0.001Lux(F1.4, 1/30sec, 30IRE), 30/25fps
- Maximum 120fps/100fps(60Hz/50Hz)(WDR off)
- Day & Night (ICR), extremeWDR (150 dB)
- Hard-coated dome bubble
- WiseNR II (Based on AI engine), WiseStreamIII (Based on AI engine)
- Analytics events based on AI engine (NPU) : Object detection (Person/Face/Vehicle - car, truck, bus, bicycle, motorcycle/License plate), IVA (Virtual line/Area, Enter/Exit, Loitering, Direction, Intrusion)
- Analytics events : Defocus detection, Motion detection, Tampering, Fog detection
- Audio detection, Sound classification, Shock detection, Appear/Disappear
- IP66/IP67/IP6K9K, NEMA4X, IK10+

# XNV-6083Z

2MP AI Vandal Dome Camera



## Specifications

### Video

<b>Imaging Device</b>	1/2.8" progressive CMOS
<b>Resolution</b>	1920x1080, 1280x1024, 1280x960, 1280x720, 1024x768, 800x600, 800x448, 720x576, 720x480, 640x480, 640x360, 320x240
<b>Max. Framerate</b>	H.265/H.264: Max. 120fps/100fps(60Hz/50Hz)(WDR off) Max. 60fps/50fps(60Hz/50Hz)(WDR on) MJPEG: Max. 30fps/25fps(60Hz/50Hz)
<b>Min. Illumination</b>	Color: 0.01Lux(F1.4, 1/30sec, 30IRE) B/W : 0.001Lux(F1.4, 1/30sec, 30IRE), 30/25fps  Color: 0.02Lux(F1.4, 1/60sec, 30IRE) B/W : 0.002Lux(F1.4, 1/60sec, 30IRE), 60/50fps  Color: 0.04Lux(F1.4, 1/120sec, 30IRE) B/W : 0.004Lux(F1.4, 1/120sec, 30IRE), 120/100fps

### Lens

<b>Focal Length (Zoom Ratio)</b>	2.8~12mm(4.3x) motorized varifocal
<b>Max. Aperture Ratio</b>	F1.4(Wide) ~ F3.6(Tele)
<b>Angular Field of View</b>	H: 120°(Wide) ~ 27°(Tele) V: 63°(Wide) ~ 15°(Tele) D: 143°(Wide) ~ 32°(Tele)
<b>Min. Object Distance</b>	0.5m(1.64ft)
<b>Focus Control</b>	Simple focus, Manual
<b>Lens Type</b>	DC auto iris with hall sensor (IR corrected)

### Pan / Tilt / Rotate

<b>Pan / Tilt / Rotate Range</b>	Remote adjustment(Max. 200cycles) 0°~350° / 0°~85° / 0°~340°
----------------------------------	---

### Operational

<b>Camera Title</b>	Displayed up to 85 characters
<b>Day &amp; Night</b>	Auto(ICR)
<b>Backlight Compensation</b>	BLC, HLC, WDR, SSSDR
<b>Wide Dynamic Range</b>	extremeWDR (150dB)
<b>Digital Noise Reduction</b>	WiseNR II (Based on AI engine), SSNR V
<b>Digital Image Stabilization</b>	Support
<b>Defog</b>	Support
<b>Motion Detection</b>	8ea, 8point Polygonal zones
<b>Privacy Masking</b>	32ea, 4point Quadrangle zones - Color : Gray, Green, Red, Blue, Black, White - Mosaic
<b>Gain Control</b>	Off / Max Gain / Manual
<b>White Balance</b>	ATW / Narrow ATW / AWC / Manual / Indoor / Outdoor
<b>LDC</b>	Support (Fill/stretch mode)
<b>Electronic Shutter Speed</b>	Minimum / Maximum / Prefer / Anti flicker (2~1/12,000sec) Auto Prefer shutter control(Based on AI engine)
<b>Video Rotation</b>	Flip, Mirror, Hallway view(90°/270°)

<b>Analytics</b>	Classified object type : Person/Face/Vehicle/License plate Attributes : Vehicle(Type:car/bus/truck/motorcycle/bicycle) Support DetectionShot Analytics events based on AI engine - Object detection, Virtual line(Crossing/Direction), Virtual area(Loitering/Intrusion/Enter/Exit) Analytics events - Defocus detection, Motion detection, Tampering, Fog detection, Virtual area(Appear/Disappear)  * Audio detection, Sound classification(with NW I/O box SPM-4210)
<b>Alarm Triggers</b>	Analytics, Network disconnect, App event, Time schedule * Alarm input(with NW I/O Box SPM-4210)
<b>Alarm Events</b>	When alarm trigger occurred - File upload(image) : e-mail/FTP - Notification : e-mail - Recording : SD/SDHC/SDXC or NAS recording at event triggers - Alarm output(with NW I/O box SPM-4210) - Handover(PTZ preset, Send message by HTTP/HTTPS/TCP)

## Network

<b>Ethernet</b>	Metal shielded RJ-45(10/100/1000BASE-T)
<b>Video Compression</b>	H.265/H.264: Main/High, MJPEG
<b>Smart Codec</b>	Manual(5ea area), WiseStream II, WiseStreamIII(Based on AI engine)
<b>Bitrate Control</b>	H.264/H.265: CBR or VBR MJPEG: VBR
<b>Streaming</b>	Unicast(20 users) / Multicast Multiple streaming(Up to 10 profiles, 3 virtual channel support)
<b>Protocol</b>	IPv4, IPv6, TCP/IP, UDP/IP, RTP(UDP), RTP(TCP), RTCP,RTSP, NTP, HTTP, HTTPS, SSL/TLS, DHCP, FTP, SMTP, ICMP, IGMP, SNMPv1/v2c/v3(MIB-2), ARP, DNS, DDNS, QoS, UPnP, Bonjour, LLDP, SRTP (TCP, UDP Unicast)
<b>Security</b>	TPM 2.0 (FIPS 140-2 level 2) HTTPS(SSL) Login Authentication Digest Login Authentication IP Address Filtering User access log 802.1X Authentication(EAP-TLS, EAP-LEAP, EAP-PEAP MSCHAPv2) Device Certificate(Hanwha Techwin Root CA, pre-installed) Secure by default certificate Secure OS/Boot/Storage, Verify firmware forgery
<b>Application Programming Interface</b>	ONVIF Profile S/G/T/M SUNAPI(HTTP API) Wisenet open platform

## General

<b>Webpage Language</b>	English, Korean, Chinese, French, Italian, Spanish, German, Japanese, Russian, Portuguese, Czech, Polish, Turkish, Dutch, Greek, Hungarian
<b>Edge Storage</b>	Micro SD/SDHC/SDXC 2slot Max. 1TB (512GB * 2)
<b>Memory</b>	2GB RAM, 512MB Flash

## Environmental & Electrical

<b>Operating Temperature / Humidity</b>	-50°C~+55°C(-58°F ~ +131°F) +74°C(165°F)(Max) based on NEMA TS-2(2.2.7) * Start up should be done at above -30°C 0~95%RH(non-condensing) Humidity control /w AIR vent
<b>Storage Temperature / Humidity</b>	-50°C ~ +60°C(-58°F ~ +140°F) / Less than 90% RH
<b>Certification</b>	IP66/IP67/IP6K9K, NEMA4X, IK10+
<b>Input Voltage</b>	PoE+(IEEE802.3at type 2, Class4)
<b>Power Consumption</b>	PoE+: Max 17.0W, typical 11.0W

## Mechanical

<b>Color / Material</b>	White / Aluminum Hard-coated dome bubble
<b>RAL Code</b>	RAL9003
<b>Product Dimensions / Weight</b>	Ø180x135mm(7.09x5.31"), 2000g(4.41 lb)
<b>Compatible Conduit hole / Gangbox</b>	19.1mm(3/4")(M25) single, double, 4" octagon, 4" square
<b>Hanging Mount (Dome)</b>	SBP-187HWW

**Certifications & Standards**

<b>EMC</b>	EN 50121-4 FCC 47 CFR 15 Subpart B Class A ICES-3(A)/NMB-3(A) CE/UKCA - EN 55032 Class A, EN 50130-4, EN 61000-3-2, EN 61000-3-3 VCCI CISPR 32 Class A RCM AS/NZS CISPR 32 Class A KS C 9832 Class A, KS C 9835
<b>Safety</b>	UL 62368-1, CAN/CSA C22.2 NO. 62368-1
<b>Environment</b>	EN IEC 63000 IEC 60529 IP66/IP67, ISO 20653 IP6K9K, IEC 62262 IK10+ NEMA 250 type 4X

**DORI (EN62676-4 standard)**

<b>Detect (25PPM/ 8PPF)</b>	Wide: 22.2m(72.74ft) / Tele: 159.9m(524.76ft)
<b>Observe (63PPM/ 19PPF)</b>	Wide: 8.9m(29.09ft) / Tele: 64.0m(209.90ft)
<b>Recognize (125PPM/ 38PPF)</b>	Wide: 4.4m(14.55ft) / Tele: 32.0m(104.95ft)
<b>Identify (250PPM/ 76PPF)</b>	Wide: 2.2m(7.27ft) / Tele: 16.0m(52.48ft)

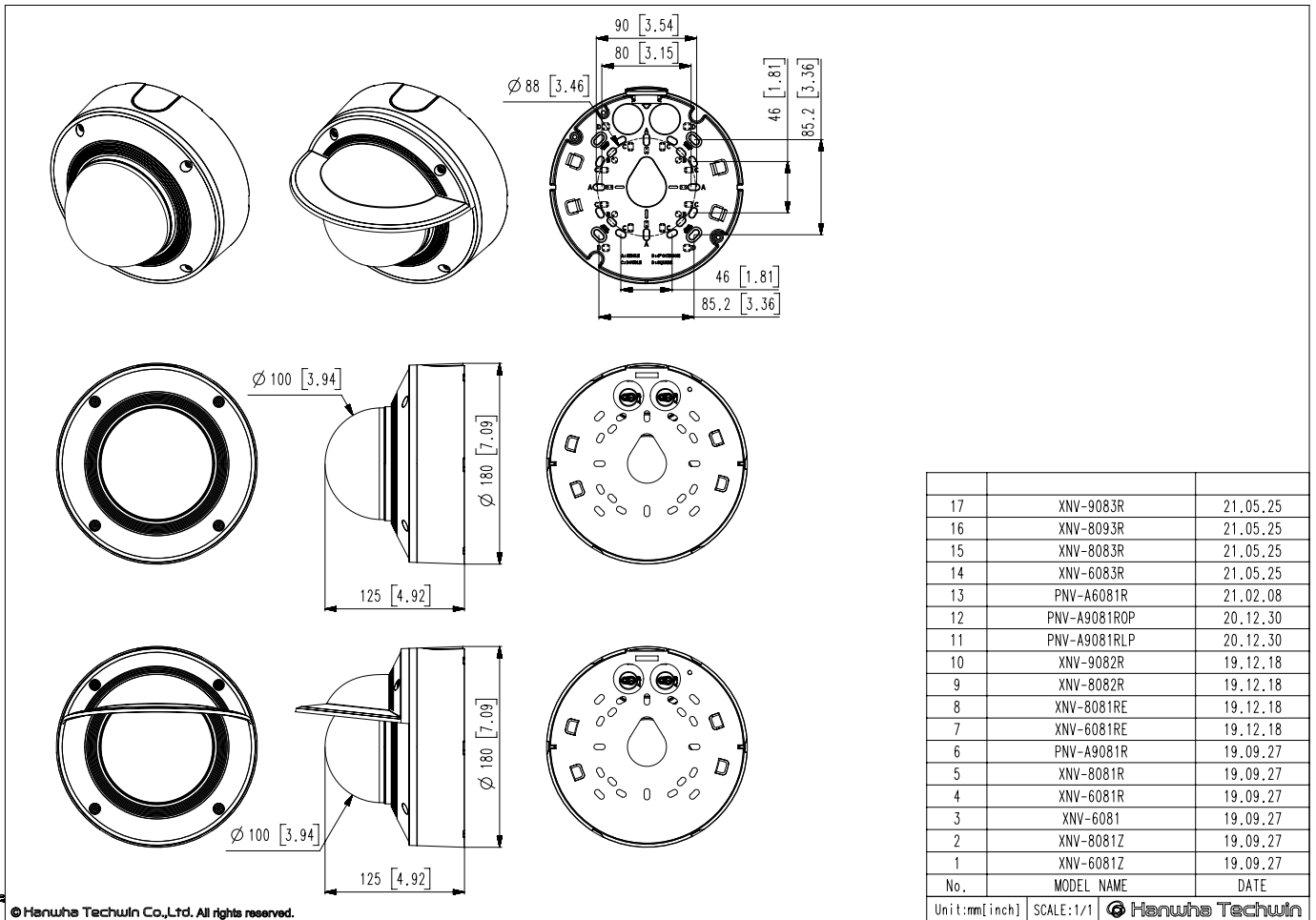
# XNV-6083Z

2MP AI Vandal Dome Camera



CAD

Unit: mm [inch]



© Hanwha Techwin Co., Ltd. All rights reserved.