

# Sarix TI Series Thermal Fixed IP Cameras

## IP THERMAL CAMERA WITH 720P DAY CAMERA

### Product Features

- HD visible light and VGA/QVGA thermal channels in one compact unit
- Advanced thermal optics with 14 mm, 35 mm, and 50 mm lenses available
- Built-in image processing algorithms and analytics
- PoE and VDC flexible power options
- Ruggedly designed to withstand the harshest environmental conditions
- Easy installation into new and existing infrastructures
- IP Connectivity
- ONVIF S Conformant
- Full 3-Year Warranty and Support

### Camera

The Sarix TI Series Thermal Fixed Camera is Pelco's most advanced thermal IP imaging system designed for easy integration into any new or existing IP video security application. The system is designed to detect, recognize, and identify people and vehicles in any lighting condition, including complete darkness. Every Sarix TI Series Thermal Fixed Camera features both visible light and thermal channels in an integrated environmentally protected IP66 rated enclosure. Additionally, the Sarix TI Series Thermal Fixed Camera features video motion analytics designed-for-thermal imaging.

### Thermal Imaging

At the core of the Sarix TI Camera is an uncooled 17µ Pixel Pitch, ASi microbolometer sensor that delivers up to 640 x 480 VGA or 384 x 288 QVGA+ thermal video.

The Sarix TI Camera provides outstanding sensitivity below 40 mK. The Sarix TI Camera is available with 14 mm, 35 mm, or 50 mm athermalized lens options for effective deployment in a wide range of applications.

### Fully Featured

HD visual and VGA/QVGA thermal channels are all included in one compact unit. The visual channel has a 720p day light camera with a 52° fixed HFoV autofocus lens for complete situational awareness.

The camera has an input power of 12-32 VDC or PoE+ (IEEE802.3at). The Sarix TI cameras are designed for flexible power options between either power supply. Connect both PoE+ and 24 VDC to the camera simultaneously.

The Sarix TI Series Thermal Fixed Camera uses a standard Web browser for powerful remote setup and administration.



The Sarix TI Camera supports two simultaneous video streams. The streams can be compressed in MJPEG or H.264 formats across several resolution configurations to provide a variety of frame and bit rates.

The enclosure makes the Sarix TI Series Thermal Fixed Camera ideal for either indoor or outdoor applications. The system has a sustained operating temperature range of -40° to 55°C (-40° to 131°F) and is IP66 rated for dust and water ingress protection.

### Built-in Analytics

Advanced image processing and edge analytics enhance the flexibility and performance of the Sarix TI camera.

Built into the Sarix TI camera are six highly customizable image processing algorithms creating scene-by-scene optimized images for analytics delivering improved detection, classification, and recognition. These include: polarity, brightness, temporal noise filter, contrast, sharpness, and ROI.

The Sarix TI Camera analytics capabilities are designed to work 24/7. Analytics are accurate and capable of monitoring and analyzing human, vehicle, or a pre-learned object per view. Analytic features include self-scene learning, real-time scene analysis and alarms based on user definable configuration. There is also user defined regions of interest and user-defined fences (up to 15 per scene). Analytics are easy to configure for alarm notification when used with VideoXpert or a third-party system that supports alarms using ONVIF S.

# TECHNICAL SPECIFICATIONS

## CAMERA

Specification	Thermal Fixed Series
<b>Visual Camera</b>	
Imager	1/4-inch Color HD CMOS
Resolutions	640 x 480, 1024 x 768, or 1280 x 720
Field of View	52° (H) x 42° (V) @ 102 x 768
Focus	Autofocus
Signal-to-Noise Ratio	36 dB
Additional Features	Configurable Resolutions, Digital Zoom
<b>Thermal Camera</b>	
Imager	17 $\mu$ microbolometer 7.5 - 14 $\mu$ m
Thermal Type	Uncooled
Available Resolutions	VGA, 640 x 480 (TI2614, TI2635, TI2650), QVGA, 384 x 288 (TI2314, TI2335, TI2350)
NETD VGA	<40° mK, QVGA+: <50° mK
Lens Type	Athermalized, Fixed Focus
Frame Rate	9 Hz or 25 Hz
Digital Zoom	1x, 2x, 4x
Video Modes	Black hot / white hot
Control Operation	Polarity, NUC, Image Flip, Image Rotation and Digital Zoom
<b>System Interfaces</b>	
Control	ONVIF, web GUI configurator
Behaviors	5 Regions of Interest, Directional Filter, 15 User-Defined Virtual Fence, VMD, Self Scene Learning, Region of Non Interest
<b>Environmental</b>	
Operating Temperature	-40°C to 55°C (-40° to 131°F)
IP Rating	IP66
Operating Humidity	95%
Storage Temperature	-40°C to 71°C (-40° to 159.8°F)
Storage Humidity	95%
<b>Video</b>	
Dual Channel	2 channels, IP video
Video Streams	Primary H.264, Secondary H.264 and MJPEG
Frame Rate	8.3 Hz or 25 Hz
Video Encoding	H.264 & MJPEG
Bit Rate Control	64 kbps - 6 Mbps
Streaming	RTSP, Unicast, Multicast
Image Settings	Brightness, Sharpness, Contrast, Rotation: 0°, 90°, 180°, 270° Horizontal or Vertical Flip

# TECHNICAL SPECIFICATIONS

## ELECTRICAL

Power Input	24 VDC Nominal (12 to 32 VDC) or PoE+ (IEEE802.3at)
Power Consumption	7 W
Alarm Input	Yes

## MECHANICAL

Construction	Aluminum
Finish	RAL 9002
Dimensions	13.45 cm (W), 20.2 cm (D), 16.9 cm (H), 5.30 in (W), 8.00 in (D), 6.67 in (H)
Weight	14 and 35 mm: 2.2 kg (4.85 lb) 50 mm: 2.4 kg (5.29 lb)

## NETWORK

Supported Protocols	IPv4, HTTP, HTTPS, SSL/TLS, RTSP, DHCP
RTSP Port	8554
System Integration Interfaces	ONVIF Profile S, Web GUI

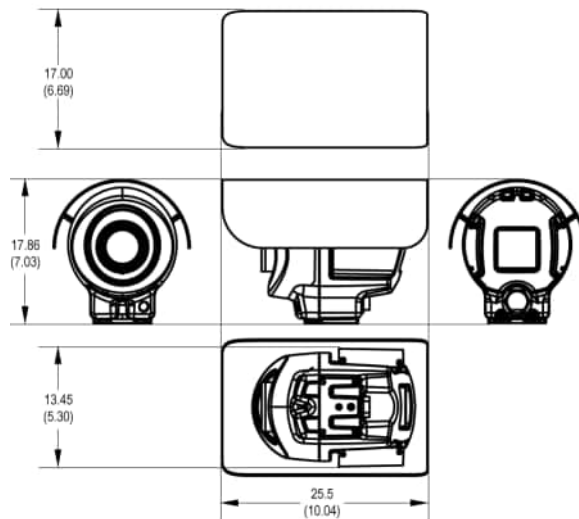


VALUES IN PARENTHESES ARE INCHES; ALL OTHERS ARE CENTIMETERS.

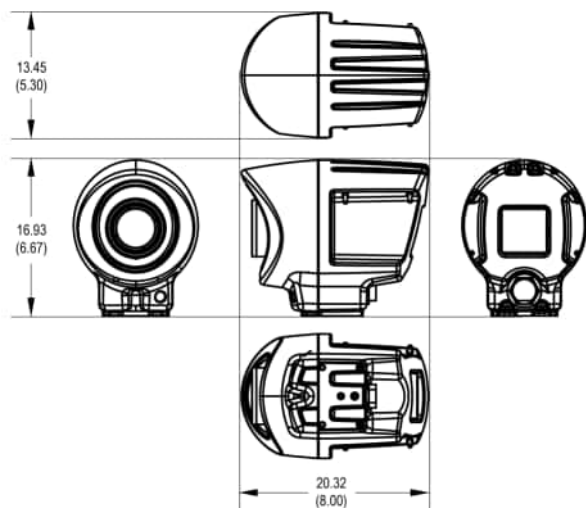
## MINIMUM SYSTEM REQUIREMENTS

Operating System	Windows
Network Port	Standard 10/100 Base-T Ethernet Port

### SARIX TI SERIES THERMAL FIXED WITH SUNSHIELD



### SARIX TI SERIES THERMAL FIXED



Field of View\*

Angle of View	TI2614	TI2635	TI2650	TI2314	TI2335	TI2350
Lens Focal Length	14 mm	35 mm	50 mm	14 mm	35 mm	50 mm
Diagonal	52.2°	10.7°	15.5°	31.9°	13.3°	9.3°
Horizontal	42.1°	17.7°	12.4°	25.7°	10.7°	7.5°
Vertical	31.9°	13.3°	9.3°	19.4°	8°	5.6°

\*Field of view may vary with changes in resolution settings.

# TECHNICAL SPECIFICATIONS

## THERMAL FIXED MODELS

Resolution	Maximum FPS	Lens	Part Number	Description
QVGA 384 x 288	25 Hz	14 mm	TI2314	Sarix TI Series Thermal Fixed Camera
		35 mm	TI2335	
		50 mm	TI2350	
	9 Hz	14 mm	TI2314-1	
		35 mm	TI2335-1	
		50 mm	TI2350-1	
VGA 640 x 480	25 Hz	14 mm	TI2614	
		35 mm	TI2635	
		50 mm	TI2650	
	9 Hz	14 mm	TI2614-1	
		35 mm	TI2635-1	
		50 mm	TI2650-1	

\*All orders include 18-pin cable connector. Integration cables should be ordered separately.

### ACCESSORIES

TICAB-P50 IP/PoE cable. Camera connector terminated on one end, RJ-45 plug on the other end (15 meter/50 foot length).

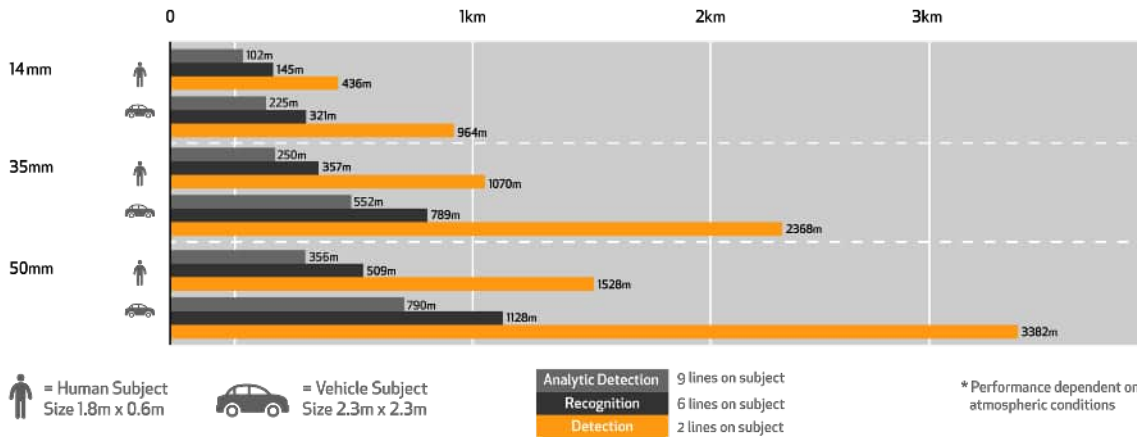
### RECOMMENDED MOUNTS

TIWM Wall mount  
TIPM Pole mount adapter (also requires wall mount)

### CERTIFICATIONS/RATINGS

- CE, Class A
- FCC, Class A
- MET
- IP66

### Sarix TI - Thermal Series



WARNING: Camera and Reproduction of Pelco, Inc. and its affiliates. ONVIF and the ONVIF logo are trademarks of ONVIF Inc. All other product names and services are the property of their respective companies. Product specifications and availability are subject to change without notice. ©Copyright 2020, Pelco, Inc. All rights reserved.

**Pelco, Inc.**  
 625 W. Alluvial, Fresno, California 93711 United States  
**USA & Canada** Tel (800) 289-9100 Fax (800) 289-9150  
**International** Tel +1 (559) 292-1981 Fax +1 (559) 348-1120  
[www.pelco.com](http://www.pelco.com)

Pelco, the Pelco logo, and other trademarks associated with Pelco products referred to in this publication are trademarks of Pelco, Inc. or its affiliates. ONVIF and the ONVIF logo are trademarks of ONVIF Inc. All other product names and services are the property of their respective companies. Product specifications and availability are subject to change without notice. ©Copyright 2020, Pelco, Inc. All rights reserved.