



Network

Bullet

TNO-L4030TR

VGA H.265 Thermal Camera



Key Features

- Max. 640 x 480 resolution support
- 13mm fixed focal
- H.265, H.264, MJPEG codec
- Max. 8fps@all resolutions (H.265, H.264, MJPEG)
- Motion detection, Handover, Tampering, Loitering, Temperature detection
- Directional detection, Audio detection
- Micro SD/SDHC/SDXC 1slot 256GB
- Hallway View, WiseStreamII support
- PoE(IEEE802.3af, Class3), 24VAC, 12VDC
- IP66, IK10, NEMA4X

TNO-L4030TR

VGA H.265 Thermal Camera



Specifications

Video

Imaging Device	Uncooled micro bolometer
Resolution	640x480, 640x360, 320x240
Max. Framerate	H.265/H.264/MJPEG: Max. 8fps
NETD	<50mK
Pixel Size	17µm
Video Out	CVBS: 1.0 Vp-p / 75Ω composite, 720x480(N), 720x576(P) for installation USB: Micro USB Type B, 1280x720 for installation

Lens

Focal Length (Zoom Ratio)	13mm fixed focal
Max. Aperture Ratio	F1.0
Angular Field of View	H: 48.6° / V: 36.4 / D: 61.6°
Min. Object Distance	5m(16.40ft)
Focus Control	Fixed

Operational

Camera Title	Displayed up to 85 characters
Digital Image Stabilization	Support(built-in gyro sensor)
Motion Detection	8ea, 8point polygonal zones
Privacy Masking	32ea, polygonal zones - Color: Grey/Green/Red/Blue/Black/White - Mosaic
Video Rotation	Flip, Mirror, Hallway view(90°/270°)
Analytics	Directional detection, Motion detection, Appear/Disappear, Enter/Exit, Loitering, Tampering, Virtual line, Audio detection, Temperature detection, Sound classification, Shock detection
Alarm I/O	Input 1ea / Output 2ea
Alarm Triggers	Analytics, Network disconnect, Alarm input
Alarm Events	File upload via FTP and e-mail Notification via e-mail SD/SDHC/SDXC or NAS recording at event triggers Alarm output Handover
Audio In	Selectable(mic in/line in) Supply voltage: 2.5VDC(4mA), Input impedance: 2K Ohm
Audio Out	Line out, Max.output level: 1Vrms
Color Palettes	Whitehot, Blackhot, Rainbow, Rainbow2, Sepia, Red, Iron, Custom

Radiometry

Temperature Detect Range	-20°C~130°C(-4°F~266°F)
Temperature Accuracy	±5°C(≤100°C), ±20%(>100°C)
Temperature Detection	3ea rectangular
Additional	Hybrid palettes, Spot temperature reading

Network

Ethernet	RJ-45(10/100BASE-T)
Video Compression	H.265/H.264: Main/Baseline/High, MJPEG

Audio Compression	G.711 u-law /G.726 Selectable G.726(ADPCM) 8KHz, G.711 8KHz G.726: 16Kbps, 24Kbps, 32Kbps, 40Kbps AAC-LC: 48Kbps at 16KHz
Smart Codec	Manual(5ea area), WiseStream II
Bitrate Control	H.264/H.265: CBR or VBR MJPEG: VBR
Streaming	Unicast(20 users) / Multicast Multiple streaming(Up to 10 profiles)
Protocol	IPv4, IPv6, TCP/IP, UDP/IP, RTP(UDP), RTP(TCP), RTCP,RTSP, NTP, HTTP, HTTPS, SSL/TLS, DHCP, FTP, SMTP, ICMP, IGMP, SNMPv1/v2c/v3(MIB-2), ARP, DNS, DDNS, QoS, PIM-SM, UPnP, Bonjour, LLDP, SRTSP
Security	HTTPS(SSL) Login Authentication Digest Login Authentication IP Address Filtering User access log 802.1X Authentication(EAP-TLS, EAP-LEAP)
Application Programming Interface	ONVIF Profile S/G/T SUNAPI(HTTP API) Wisenet open platform

General

Webpage Language	English, French, Italian, Spanish, German, Japanese, Russian, Swedish, Portuguese, Czech, Polish, Turkish, Dutch, Hungarian, Greek
Edge Storage	Micro SD/SDHC/SDXC 1slot 256GB
Memory	1024MB RAM, 256MB Flash

Environmental & Electrical

Operating Temperature / Humidity	-40°C ~ +60°C (-40°F ~ +140°F) / Less than 90% RH
Storage Temperature / Humidity	-50°C ~ +60°C (-58°F ~ +140°F) / Less than 90% RH
Certification	IP66, IK10, NEMA4X
Input Voltage	PoE(IEEE802.3af, Class3), 24VAC, 12VDC
Power Consumption	PoE: Max. 10W, typical 8.6W 12VDC: Max. 9W, typical 7.5W 24VAC: Max. 10.5W, typical 8.9W

Mechanical

Color / Material	White / Aluminum
RAL Code	RAL9003
Product Dimensions / Weight	Φ101.97x401.8mm(4.01x15.82") / 3,124g(6.89 lb)

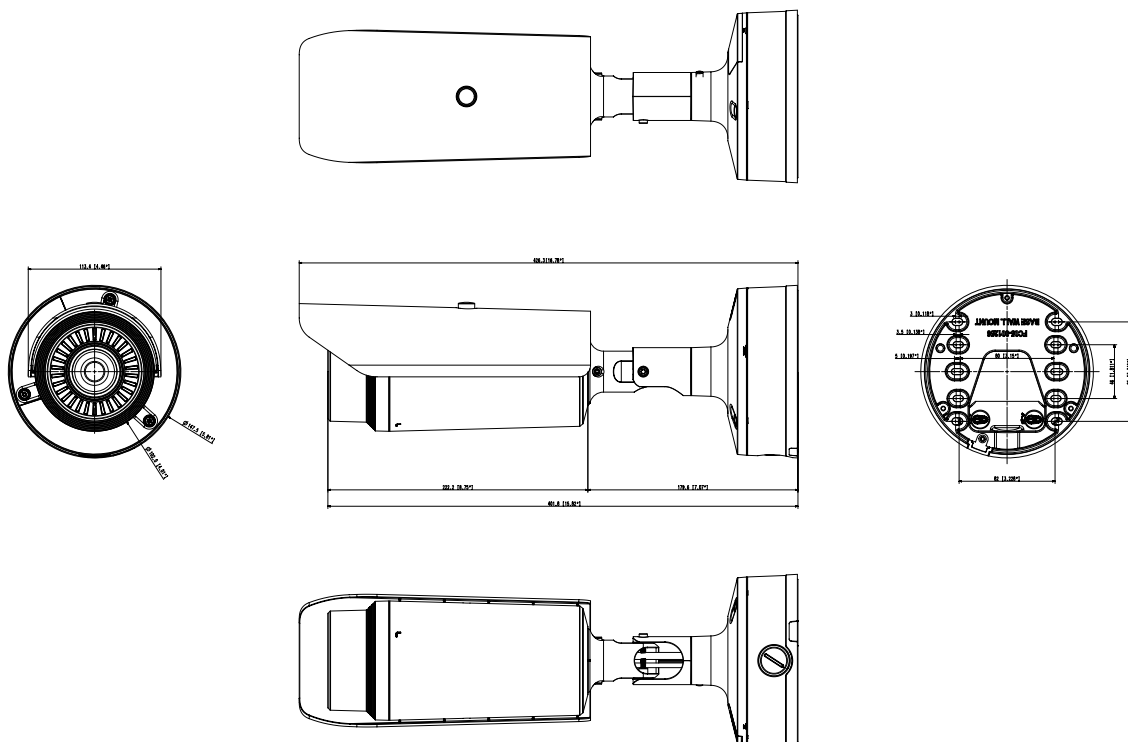
TNO-L4030TR

VGA H.265 Thermal Camera



CAD

Unit: mm [inch]



Apperance TNO-4030TR
Unit : mm [inch]