

## DS-2CD6365G1-S/RC 6 MP DeepinView Network Fisheye Camera

DeepinView<sup>series</sup>



DS-2CD6365G1-S/RC is a fisheye network camera capable of providing a 360-degree panoramic image of its scene. The progressive scan CMOS sensor provides high-resolution images of up to 2560 × 2560. Up to 20 live view display modes, designed for 3 mount types, meet various user preferences.

- Heatmap: based on deep learning algorithms, the camera counts people and presents an intuitive map
- Multi dewarping modes: the image can be dewarped to normal image for viewing intuitively
- High resolution 6 MP: capturing clear images even when dewarped into 4-image PTZ mode
- Each image is clear and detailed

## ▪ Specification

| Camera                  |   |
|-------------------------|---|
| Image Sensor            | 1/1.8" Progressive Scan CMOS  |
| Max. Resolution         | 2560 × 2560   |
| Min. Illumination       | Color: 0.01 Lux @ (F2.25, AGC ON), B/W: 0.005 Lux @ (F2.25, AGC ON)   |
| Shutter Time            | 1 s to 1/100, 000 s   |
| Day & Night             | IR cut filter   |
| Lens                    |   |
| Lens Type               | Fixed focal lens, 1.16 mm   |
| Focal Length & FOV      | 1.16 mm, horizontal FOV 180°, vertical FOV 180°   |
| Iris Type               | Fixed   |
| Aperture                | F2.25   |
| Depth of Field          | 0.2 m to ∞  |
| DORI                    |   |
| DORI                    | D: 23.2 m<br>O: 9.2 m<br>R: 4.6 m<br>I: 2.3 m   |
| HEOP                    |   |
| Open Resources          | Memory: 60 MB,<br>Smart RAM: 800 MB,<br>eMMC: 2 GB  |
| Computing Power         | 2 TOPS  |
| Open Capability         | HEOP 2.0 OpendevSDK   |
| Deep Learning Structure | Caffe, TensorFlow, PyTorch  |
| Programming Language    | C, C++  |
| Video                   |   |
| Main Stream             | 50 Hz: 25 fps/60 Hz: 30 fps:<br>Fisheye View:<br>2560 × 2560, 2048 × 2048, 1280 × 1280<br>180 Panorama View:<br>2048 × 1536, 1920 × 1440<br>180 Dual Channel Panorama View:<br>2048 × 768, 1920 × 720<br>Panorama View:<br>2048 × 1536, 1920 × 1440<br>4PTZ View:<br>camera 01/camera 02/camera 03/camera 04: 1024 × 768<br>Fisheye + 3PTZ View:<br>camera 01: 2048 × 2048, 1024 × 1024<br>camera 02/camera 03/camera 04: 1024 × 768<br>4PTZ Fusion View:<br>2048 × 1536, 1600 × 1200 |

|                             |  |
|-----------------------------|--|
| Sub-Stream                  | <p>50 Hz: 25 fps/60 Hz: 30 fps:</p> <p>Fisheye View:<br/>720 × 720, 480 × 480</p> <p>180 Panorama View:<br/>640 × 480, 320 × 240</p> <p>180 Dual Channel Panorama View:<br/>640 × 480, 320 × 240</p> <p>Panorama View:<br/>640 × 360, 320 × 240</p> <p>4PTZ View:<br/>camera 01/camera 02/camera 03/camera 04: 640 × 480, 320 × 240</p> <p>Fisheye + 3PTZ View:<br/>camera 01: 720 × 720<br/>camera 02/camera 03/camera 04: 640 × 480, 320 × 240</p> |
| Video Compression           | Main stream: H.265+/H.265/H.264+/ H.264,<br>Sub-stream: H.265/H.264/MJPEG  |
| Video Bit Rate              | 32 Kbps to 16 Mbps   |
| H.264 Type                  | Baseline Profile, Main Profile, High Profile   |
| H.265 Type                  | Main Profile   |
| Bit Rate Control            | CBR, VBR   |
| Scalable Video Coding (SVC) | H.264 and H.265 encoding   |
| Region of Interest (ROI)    | 4 fixed regions for each stream  |
| <b>Fisheye Display</b>      |  |
| Mount Type                  | Support wall/table/ceiling mounting  |
| Decoding Mode               | Support hardware decoding and software decoding  |
| Display Mode                | <p>20 display modes in total,</p> <p>Software decoding: fisheye view, 180 panorama view, 360 panorama view, 360 panorama + PTZ, 360 panorama + 3PTZ, 360 panorama + 6PTZ, 360 panorama + 8PTZ, 2PTZ, 4PTZ, fisheye + 3PTZ, fisheye + 8PTZ, hemisphere, AR hemisphere, cylinder,</p> <p>Hardware decoding: fisheye view, 180 panorama view, 180 dual channel panorama, panorama view, 4PTZ, fisheye + 3PTZ, 4PTZ fusion</p>                           |
| <b>Audio</b>                |  |
| Audio Compression           | G.711/G.722.1/G.726/MP2L2/PCM/MP3/AAC-LC   |
| Audio Bit Rate              | 64 Kbps (G.711ulaw/G.711alaw)/16 Kbps (G.722.1)/16 Kbps (G.726)/32 to 192 Kbps (MP2L2)/8 to 320 Kbps (MP3)/16 to 64 Kbps (AAC-LC)  |
| Audio Sampling Rate         | 8 kHz/16 kHz/32 kHz/48 kHz   |
| Environment Noise Filtering | Yes  |
| <b>Network</b>              |  |
| Protocols                   | TCP/IP, ICMP, HTTP, HTTPS, FTP, SFTP, DHCP, DNS, DDNS, RTP, RTSP, RTCP, PPPoE, NTP, UPnP, SMTP, SNMP, IGMP, 802.1X, QoS, IPv4, IPv6, UDP, Bonjour, SSL/TLS, ISUP, ARP, WebSocket, WebSockets   |
| Simultaneous Live View      | Up to 20 channels  |
| API                         | Open Network Video Interface (Profile S, Profile G, Profile T), ISAPI, SDK, ISUP   |
| User/Host                   | Up to 32 users<br>3 user levels: administrator, operator, and user   |

|                          |   |
|--------------------------|---|
| Security                 | Password protection, complicated password, HTTPS encryption, 802.1X authentication (EAP-TLS, EAP-LEAP, EAP-MD5), watermark, IP address filter, basic and digest authentication for HTTP/HTTPS, WSSE and digest authentication for Open Network Video Interface, RTP/RTSP over HTTPS, control timeout settings, security audit log, TLS 1.2, host authentication (MAC address) |
| Network Storage          | NAS (NFS, SMB/CIFS), Auto Network Replenishment (ANR), Together with high-end Hikvision memory card, memory card encryption and health detection are supported.   |
| Client                   | iVMS-4200, iVMS-4500, iVMS-5200, Hik-Connect  |
| Web Browser              | Plug-in required live view: IE 10, IE 11,<br>Plug-in free live view: Chrome 57.0+, Firefox 52.0+, Edge 89+, Safari 11+,<br>Local service: Chrome 57.0+, Firefox 52.0+, Edge 89+   |
| <b>Image</b>             |   |
| Image Parameters Switch  | Yes   |
| Image Settings           | saturation, brightness, contrast, sharpness, white balance, AGC, adjustable by client software or web browser   |
| Day/Night Switch         | Day, Night, Auto, Schedule, Alarm Trigger   |
| Wide Dynamic Range (WDR) | Digital WDR   |
| Image Enhancement        | BLC, HLC, 3D DNR, Distortion Correction, Defog  |
| Privacy Mask             | 8 programmable polygon privacy masks  |
| Picture Overlay          | LOGO picture can be overlaid on video with 128 × 128 24 bit bmp format.   |
| <b>Interface</b>         |   |
| Ethernet Interface       | 1 RJ45 10 M/100 M/1000 M self-adaptive Ethernet port  |
| On-Board Storage         | Built-in memory card slot, support microSD/microSDHC/microSDXC card, up to 256 GB   |
| Built-in Microphone      | Yes, 4 built-in microphones   |
| Audio                    | 1 input (line in), 3.5 mm connector, max. input amplitude: 3.3 Vpp, input impedance: 4.7 K $\Omega$ , interface type: non-equilibrium,<br>1 output (line out), 3.5 mm connector, max. output amplitude: 3.3 Vpp, output impedance: 100 $\Omega$ , interface type: non-equilibrium   |
| Alarm                    | 2 inputs, 2 outputs (max. 24 VDC, 1 A)  |
| RS-485                   | 1 RS-485 (Half duplex, HIKVISION, Pelco-P, Pelco-D, self-adaptive)  |
| Reset Key                | 1 Reset Key   |
| <b>Event</b>             |   |
| Basic Event              | Motion detection, video tampering alarm, alarm input and output, exception (network disconnected, IP address conflict, illegal login, HDD full, HDD error)  |
| Smart Event              | Line crossing detection, intrusion detection, region entrance detection, region exiting detection, scene change detection, audio exception detection, defocus detection, unattended baggage detection, object removal detection   |
| Linkage                  | Upload to FTP/NAS/memory card, notify surveillance center, send email, trigger alarm output, trigger recording, trigger capture   |

| Deep Learning Function           |   |
|----------------------------------|---|
| People Counting                  | <p>Counts people entering, exiting and passing by separately (The data is stored in the flash.)</p> <p>Supports real-time uploading and uploading by statistic cycle</p> <p>Sends email reports on daily, weekly, monthly or annually basis</p> <p>Supports up to 3 detection regions, and independent arming schedule and linkage method</p>   |
| Queue Management                 | <p>Supports up to 8 detection regions, and independent arming schedule and linkage method</p> <p>Supports 2 detection modes: regional people queuing-up, waiting time detection</p> <p>Generates reports to compare the efficiency of different queuing-ups and display the changing status of one queue</p> <p>Supports raw data export for further analysis</p> <p>Supports real-time data uploading and scheduled data uploading</p> <p>Regional people queuing-up: supports 4 alarm trigger conditions, including greater than threshold, less than threshold, equal to threshold, not equal to threshold</p> <p>Waiting time detection: supports 1 alarm trigger condition, including greater than threshold</p> |
| Heat Map                         | <p>A graphic description of visits (by calculating amount of people or amount of dwell time) in a configured area.,</p> <p>Two report types are available, space heat map and time heat map line chart.</p>   |
| Intersection Analysis            | <p>Detects and analyze flow in an intersection-like scene, and generate reports</p> <p>Support one intersection of up to 10 ways</p>  |
| General                          |   |
| Power                            | <p>12 VDC <math>\pm</math> 20%, 0.6 A, max. 7 W, two-core terminal block,</p> <p>PoE: IEEE 802.3af, Class 3, max. 8 W</p>   |
| Material                         | Metal   |
| Dimension                        | $\varnothing$ 165.0 mm $\times$ 48.9 mm ( $\varnothing$ 6.49" $\times$ 1.93")   |
| Package Dimension                | 272 mm $\times$ 215 mm $\times$ 105 mm (10.7" $\times$ 8.5" $\times$ 4.1")  |
| Weight                           | Approx. 470 g (1.04 lb.)  |
| With Package Weight              | Approx. 884 g (1.95 lb.)  |
| Storage Conditions               | -10 $^{\circ}$ C to 40 $^{\circ}$ C (-10 $^{\circ}$ F to 104 $^{\circ}$ F). Humidity 95% or less (non-condensing)   |
| Startup and Operating Conditions | -10 $^{\circ}$ C to 40 $^{\circ}$ C (-10 $^{\circ}$ F to 104 $^{\circ}$ F). Humidity 95% or less (non-condensing)   |
| Language                         | <p>33 languages: English, Russian, Estonian, Bulgarian, Hungarian, Greek, German, Italian, Czech, Slovak, French, Polish, Dutch, Portuguese, Spanish, Romanian, Danish, Swedish, Norwegian, Finnish, Croatian, Slovenian, Serbian, Turkish, Korean, Traditional Chinese, Thai, Vietnamese, Japanese, Latvian, Lithuanian, Portuguese (Brazil), Ukrainian</p>  |
| General Function                 | Heartbeat, flash log, password reset via email, password protection, one-key reset, anti-banding  |
| Cable Length                     | 0.31 m (1.02 ft.)   |
| Approval                         |   |
| EMC                              | <p>CE-EMC: EN 55032:2015+A1:2020, EN 50130-4:2011+A1:2014, EN IEC 61000-3-2:2019+A1:2021, EN 61000-3-3:2013+A1:2019+A2:2021,</p> <p>RCM: AS/NZS CISPR 32: 2015,</p> <p>IC: ICES-003: Issue 7,</p> <p>KC: KN32: 2015, KN35: 2015</p>   |

|             |  |
|-------------|--|
| Safety      | UL: UL 62368-1,<br>CB: IEC 62368-1: 2014+A11,<br>CE-LVD: EN 62368-1: 2014/A11: 2017,<br>BIS: IS 13252 (Part 1): 2010/IEC 60950-1: 2005 |
| Environment | CE-RoHS: 2011/65/EU,<br>WEEE: 2012/19/EU,<br>Reach: Regulation (EC) No 1907/2006   |

## ▪ Typical Application

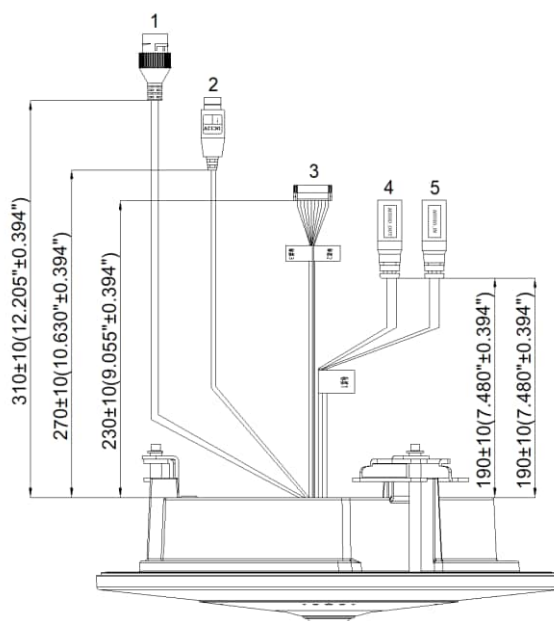
Hikvision products are classified into three levels according to their anti-corrosion performance. Refer to the following description to choose for your using environment.

This model has NO SPECIFIC PROTECTION.

| Level                  | Description  |
|------------------------|--|
| Top-level protection   | Hikvision products at this level are equipped for use in areas where professional anti-corrosion protection is a must. Typical application scenarios include coastlines, docks, chemical plants, and more.   |
| Moderate protection    | Hikvision products at this level are equipped for use in areas with moderate anti-corrosion demands. Typical application scenarios include coastal areas about 2 kilometers (1.24 miles) away from coastlines, as well as areas affected by acid rain. |
| No specific protection | Hikvision products at this level are equipped for use in areas where no specific anti-corrosion protection is needed.  |

## ▪ Physical Interface

| No. | Interface Description   |
|-----|-------------------------|
| 1   | Network Interface       |
| 2   | Power Interface         |
| 3   | Alarm Interface, RS-485 |
| 4   | Audio Output Interface  |
| 5   | Audio Input Interface   |

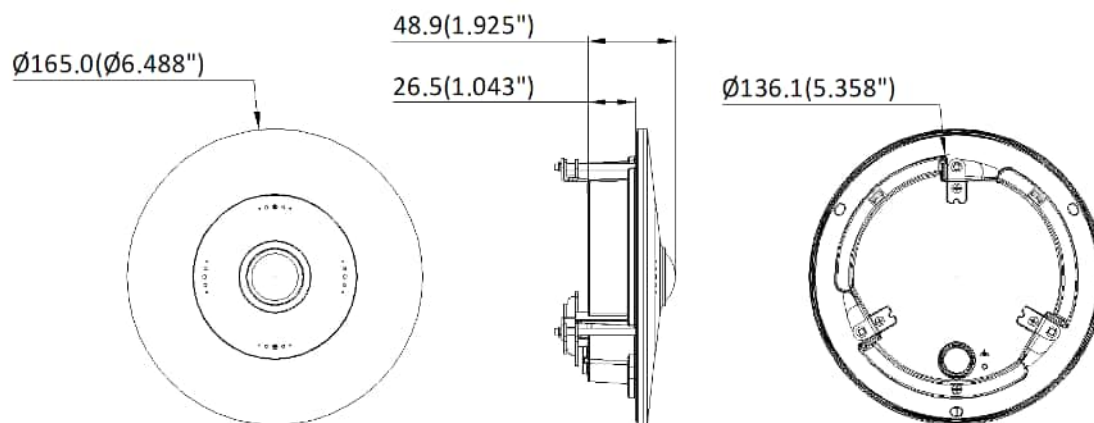


Unit:mm(inch)

▪ **Available Model**

DS-2CD6365G1-S/RC(1.16mm)

▪ **Dimension**



Unit:mm(inch)

| Camera Mounting Hole(mm) | Camera Mounting Hole(inch) |
|--------------------------|----------------------------|
| Ø140                     | Ø5.512"                    |

**Headquarters**

No.555 Qianmo Road, Binjiang District,  
Hangzhou 310051, China  
T +86-571-8807-5998  
www.hikvision.com



Follow us on social media to get the latest product and solution information.

