

DS-2CD6984G0-IH(S)(Y)(AC)(/NFC)
180° Stitched 32 MP PanoVu Camera



- 180° splicing image: the image presented includes the full panoramic view covered by the camera
- Built-in heater, ultra-low temperature start up to -40 °C (-40 °F)
- Water and dust resistant (IP67) and vandal proof (IK10)
- High resolution 32 MP: capturing clear images, and allowing for more details to be displayed on a video wall
- DarkFighter technology captures high quality color images even in dimly light environments

▪ Specification

| Camera | |
|-----------------------------|---|
| Image Sensor | 1/1.8" Progressive Scan CMOS |
| Max. Resolution | 8160 × 3616 |
| Min. Illumination | Color: 0.009 Lux @ (F1.2, AGC ON), 0.012 Lux @ (F1.4, AGC ON) B/W: 0.0009 Lux @ (F1.2, AGC ON), 0.0012 Lux @ (F1.4, AGC ON), 0 Lux with IR |
| Shutter Time | 1/25 s to 1/100,000 s |
| Day & Night | IR cut filter |
| Angle Adjustment | Pan: 0° to 355°, tilt: 0° to 90° |
| Lens | |
| Lens Type | Fixed focal lens, 2.8 mm, four lenses |
| Focal Length & FOV | 2.8 mm, Single lens image: horizontal FOV 102°, vertical FOV 55°, diagonal FOV 120°, Panorama Image: horizontal FOV 180°, vertical FOV 95° |
| Lens Mount | M12 |
| Aperture | F1.4 |
| Illuminator | |
| Supplement Light Type | IR, four IR LEDs |
| Supplement Light Range | Up to 20 m |
| IR Wavelength | 850 nm |
| Video | |
| Main Stream | Panorama mode: 50 Hz: 25 fps (8160 × 3616, 8160 × 2304) 60 Hz: 30 fps (8160 × 3616, 8160 × 2304) Original mode: 50 Hz: 25 fps (3840 × 2160, 3072 × 1728, 2560 × 1440, 1920 × 1080, 1280 × 720) 60 Hz: 30 fps (3840 × 2160, 3072 × 1728, 2560 × 1440, 1920 × 1080, 1280 × 720) Panorama + ePTZ mode: Panorama channel: 50 Hz: 25 fps (3840 × 2160, 3072 × 1728, 2560 × 1440, 1920 × 1080, 1280 × 720) 60 Hz: 30 fps (3840 × 2160, 3072 × 1728, 2560 × 1440, 1920 × 1080, 1280 × 720) ePTZ channel: 50 Hz: 25 fps (1920 × 1080, 1280 × 720) 60 Hz: 30 fps (1920 × 1080, 1280 × 720) Divided panorama mode: 50 Hz: 25 fps (2032 × 3616) 60 Hz: 30 fps (2032 × 3616) |
| Video Compression | Main stream: H.265/H.264 |
| Video Bit Rate | 32 Kbps to 16 Mbps |
| H.264 Type | Baseline Profile, Main Profile, High Profile |
| H.265 Type | Main Profile |
| Scalable Video Coding (SVC) | H.264 and H.265 encoding |
| Audio | |
| Audio Compression | -S: G.711/G.722.1/G.726/MP2L2/PCM |
| Audio Bit Rate | -S: 64 Kbps (G.711)/16 Kbps (G.722.1)/16 Kbps (G.726)/32 to 192 Kbps (MP2L2) |

| | |
|----------------------------------|---|
| Audio Sampling Rate | -S: 8 kHz/16 kHz/32 kHz/44.1 kHz/48 kHz |
| Environment Noise Filtering | -S: Yes |
| Network | |
| Protocols | TCP/IP, ICMP, HTTP, HTTPS, FTP, DHCP, DNS, DDNS, RTP, RTSP, RTCP, PPPoE, NTP, UPnP, SMTP, SNMP, IGMP, 802.1X, QoS, IPv6, UDP, Bonjour |
| Simultaneous Live View | Up to 20 channels |
| API | Open Network Video Interface (Profile S, Profile G), ISAPI |
| User/Host | Up to 32 users 3 user levels: administrator, operator, and user |
| Network Storage | NAS (NFS, SMB/CIFS), Auto Network Replenishment (ANR) |
| Client | iVMS-4200 |
| Web Browser | IE8+, Chrome 31.0-44, Firefox 30.0-51, Safari 8.0+ |
| Image | |
| Image Settings | Rotate mode (only original mode supports), saturation, brightness, contrast, sharpness, AGC and white balance adjustable by client software or web browser |
| Day/Night Switch | Day, Night, Auto, Schedule, Alarm Trigger (only -S model supports) |
| Wide Dynamic Range (WDR) | Digital WDR |
| Image Enhancement | BLC, HLC, 3D DNR, Defog, EIS (only original mode supports) |
| Interface | |
| Ethernet Interface | 1 RJ45 10 M/100 M/1000 M self-adaptive Ethernet port |
| On-Board Storage | Built-in memory card slot, support microSD/microSDHC/microSDXC card, up to 128 GB |
| Audio | -S: 1 input (line in), 3.5 mm 3-section connector, max. input amplitude: 1 Vpp, input impedance: 4.7 K Ω , interface type: non-equilibrium, 1 output (line out), 3.5 mm 3-section connector, max. output amplitude: 1 Vpp, output impedance: 100 Ω , interface type: non-equilibrium |
| Alarm | -S: 2 Inputs, 2 outputs (max. 12 VDC, 1 A) |
| RS-485 | -S: 1 RS-485 (Half duplex, HIKVISION, Pelco-P, Pelco-D, self-adaptive) |
| Reset Key | Yes |
| Event | |
| Basic Event | Exception (network disconnected, IP address conflict, illegal login, HDD full, HDD error) |
| General | |
| Power | Without -AC: 12 VDC \pm 20%, 1.4 A, max. 17 W, three-core terminal block, PoE: IEEE 802.3at, Class 4, 42.5 V to 57 V, max. 23 W -AC: 24 VAC \pm 20%, 1.2 A, 50 Hz, three-core terminal block, PoE: IEEE 802.3at, Class 4, 42.5 V to 57 V, max. 23 W |
| Material | Aluminum alloy & plastic |
| Dimension | 190 mm \times 208 mm \times 207 mm (7.5" \times 8.2" \times 8.1") |
| Package Dimension | 336 mm \times 261 mm \times 293 mm (13.2" \times 10.3" \times 11.5") |
| Weight | Approx. 3.5 kg (7.7 lb.) |
| Storage Conditions | -40 $^{\circ}$ C to 60 $^{\circ}$ C (-40 $^{\circ}$ F to 140 $^{\circ}$ F). Humidity 95% or less (non-condensing) |
| Startup and Operating Conditions | -40 $^{\circ}$ C to 60 $^{\circ}$ C (-40 $^{\circ}$ F to 140 $^{\circ}$ F). Humidity 95% or less (non-condensing) |
| Language | 33 languages: English, Russian, Estonian, Bulgarian, Hungarian, Greek, German, Italian, Czech, Slovak, French, Polish, Dutch, Portuguese, Spanish, Romanian, Danish, Swedish, Norwegian, Finnish, Croatian, Slovenian, Serbian, Turkish, Korean, Traditional Chinese, Thai, Vietnamese, Japanese, Latvian, Lithuanian, Portuguese (Brazil), Ukrainian |

| | |
|---------------------------|---|
| General Function | One-key reset, anti-flicker, heartbeat, mirror, password protection, watermark, IP address filter (only original mode supports) |
| Heater | Yes |
| Approval | |
| EMC | CE-EMC: EN 55032: 2015, EN 61000-3-2:2019, EN 61000-3-3: 2013+A1:2019, EN 50130-4: 2011 +A1: 2014, RCM: AS/NZS CISPR 32: 2015, IC: ICES-003: Issue 7, KC: KN32: 2015, KN35: 2015 |
| Safety | CB: IEC 62368-1: 2014+A11, CE-LVD: EN 62368-1: 2014/A11: 2017, BIS: IS 13252 (Part 1): 2010/IEC 60950-1: 2005, LOA: IEC/EN 60950-1 |
| Environment | CE-RoHS: 2011/65/EU, WEEE: 2012/19/EU, Reach: Regulation (EC) No 1907/2006 |
| Protection | IP67: IEC 60529-2013, IK10: IEC 62262:2002 |
| Anti-Corrosion Protection | -Y: NEMA 4X (NEMA 250-2018) |

▪ Typical Application

Hikvision products are classified into three levels according to their anti-corrosion performance. Refer to the following description to choose for your using environment.

With -Y model: This model has MODERATE PROTECTION.

Without -Y model: This model has NO SPECIFIC PROTECTION.

| Level | Description |
|------------------------|--|
| Top-level protection | Hikvision products at this level are equipped for use in areas where professional anti-corrosion protection is a must. Typical application scenarios include coastlines, docks, chemical plants, and more. |
| Moderate protection | Hikvision products at this level are equipped for use in areas with moderate anti-corrosion demands. Typical application scenarios include coastal areas about 2 kilometers (1.24 miles) away from coastlines, as well as areas affected by acid rain. |
| No specific protection | Hikvision products at this level are equipped for use in areas where no specific anti-corrosion protection is needed. |

▪ Available Model

DS-2CD6984G0-IHSAC/NFC(2.8mm)

DS-2CD6984G0-IHS/NFC(2.8mm)

DS-2CD6984G0-IHS(2.8mm)

DS-2CD6984G0-IHS(6mm)

DS-2CD6984G0-IH(2.8mm)

DS-2CD6984G0-IH(6mm)

DS-2CD6984G0-IHSAC(2.8mm)

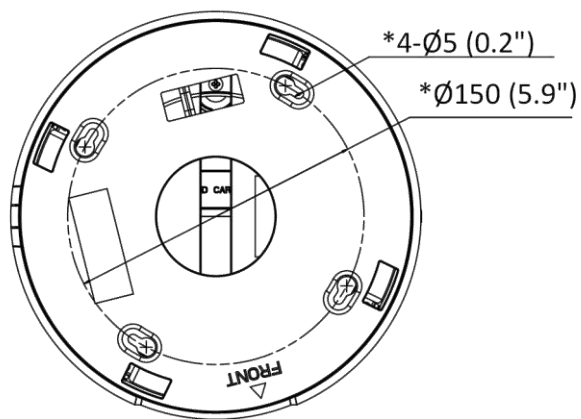
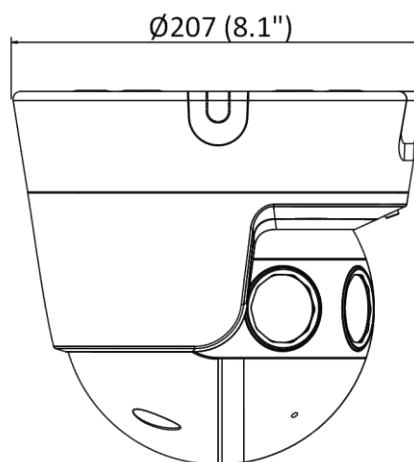
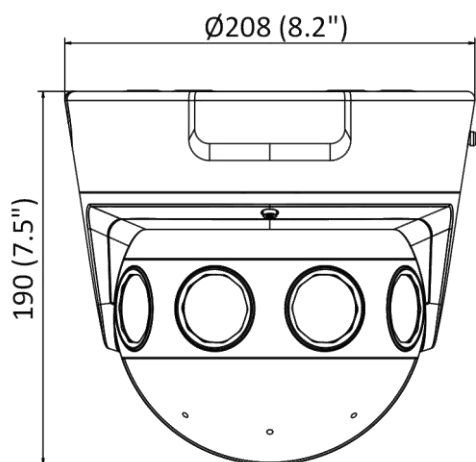
DS-2CD6984G0-IHAC(2.8mm)

DS-2CD6984G0-IHS(2.8mm)(D)

DS-2CD6984G0-IHSY(2.8mm)

DS-2CD6984G0-IHSY(2.8mm)(D)

▪ Dimension



Unit: mm (inch)

▪ **Accessory**

▪ **Optional**

| DS-1604ZJ-box Wall Mount | DS-1660ZJ Parapet Wall Mount | DS-1661ZJ Pendant Mount | DS-1662ZJ Pendant Mount | DS-1602ZJ-Pole Vertical pole mount |
|---|---|---|---|---|
|  |  |  |  |  |
| DS-1663ZJ Ceiling Mount | DS-1602ZJ-Corner Corner mount | DS-1619ZJ Pendant Mount | DS-1602ZJ Wall mount | |
|  |  |  |  | |

Headquarters

No.555 Qianmo Road, Binjiang District,
Hangzhou 310051, China
T +86-571-8807-5998
www.hikvision.com



Follow us on social media to get the latest product and solution information.

