

**DS-K1109DB
Card Reader**



- Supports RS-485 and Wiegand (W26, W34) protocol
- Supports reading Desfire card, Felica card and M1 card
- Supports authentication via card
- Supports bluetooth module
- Tamper-proof function

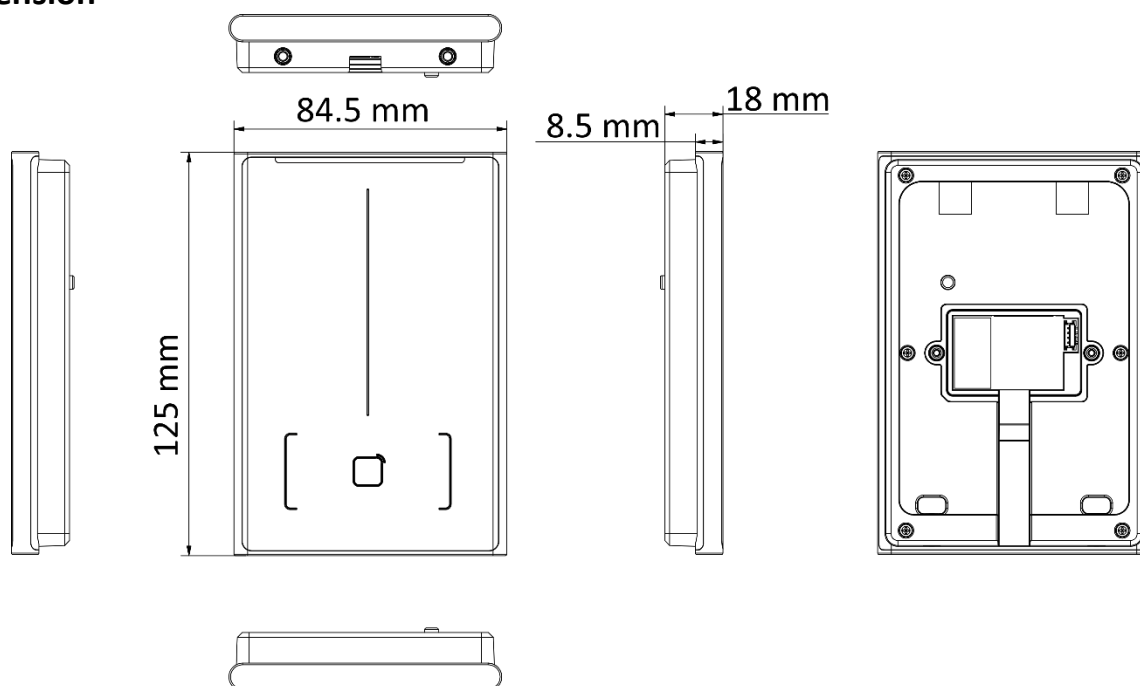
▪ Specification

Interface	
TAMPER	Support
RS-485	Support
Wiegand	Support
Authentication	
Card reading distance	≤ 50 mm (≤ 1.97")
Card type	M1 card,DESfire card,Felica card
Card reading duration	< 1 S
General	
Power supply	12 VDC
Working temperature	-40 °C to 65 °C (-40 °F to 149 °F)
Working humidity	0 to 90% (no condensing)
Dimensions	125 mm × 84.5 mm × 18 mm (4.92" × 3.33" × 0.71")
Protective level	IP65
Installation	Wall mounting
Buzzer	Support

▪ Available Model

DS-K1109DB

▪ Dimension



Headquarters

No.555 Qianmo Road, Binjiang District,
Hangzhou 310051, China
T +86-571-8807-5998
www.hikvision.com



Follow us on social media to get the latest product and solution information.

