

60 SERIES

HC60WZ4R40WI

HC60WZ4R40KI



4MP Ultra Low-light IR PTZ Cameras



OPERATIONAL	
RAM	1 GB
Flash	512 MB
Video Standard	NTSC/PAL
Scanning System	Progressive
Image Sensor	1/1.8" CMOS
Sensor size (H x V)	7.860 x 4.460 mm
Number of Pixels (H x V)	4MP (2592 x 1520)
Minimum Illumination (Color/BW)	Color: 0.005 lux @ F1.6 BW: 0 lux @ F1.6 (IR on)
S/N Ratio	>55 dB
Electronic Shutter Speed	1/1 to 1/30,000 sec
IR Distance	HC60WZ4R40KI: up to 450 M HC60WZ4R40WI: up to 500M
IR Light Control	Smart IR (Auto/Manual)/OFF
IR Light Number	8
Day/Night	Auto/Day/Night/Timing
Backlight Compensation	WDR, HLC, BLC
White Balance	Auto/Tungsten/Fluorescent/Daylight/Shadow
Gain Control	0~100 %
Wide Dynamic Range	140 dB
Noise Reduction	3D DNR
Lens	5.3 mm ~ 212 mm, F1.5 ~ F4.8, DC Iris
Digital Image Stabilization	Yes
Angle of View (H x V)	H: 60.7° ~ 2.33° V: 36.8° ~ 1.38°
Privacy Masking	Off / On (5 Areas)
Defog	Yes
Encryption Chipset	Hardware embedded
Local Storage	Micro SD/SDHC/SDXC card slot (1 TB)
Alarm Inputs / Outputs	7 in/2 out
Reset	Supported
PTZ	
Pan Speed	0.01° ~ 300°/s
Pan Range	360° endless
Tilt Speed	0.01° ~ 300°/s
Tilt Range	-10° to 90° Auto flip 180°
Preset Locations	400
Auto Pan Scan	Supported
Auto Tracking	Supported
Auto Resume After Power Failure	Resume to home position

VIDEO	
Video Compression	H.265 / H.264 / MJPEG, Smart codec
Resolution (16/9)	2592 x 1520/1920 x 1080/1280 x 720
Resolution (4/3)	640 x 480/320 x 240
Number of Video Streams	3
Frame Rate Main/Second Stream/Third Stream/Fourth Stream	Main Stream: 2592 x 1520/1920 x 1080/1280 x 720 25/30 fps (1920 x 1080 50/60 fps with WDR off) Second Stream: 1920 x 1080/704 x 576 (PAL)/704 x 480 (NTSC)/640 x 480/352 x 288 (PAL)/352 x 240 (NTSC) 25/30 fps Third Stream: 640 x 480/352 x 288 (PAL)/352 x 240 (NTSC)/320 x 240 25/30 fps
Bit Rate	100 K-12 Mbps
Analog Output Support	CVBS (Reserved)
AUDIO	
Audio Compression	G.711 a/G.711 Mu
Audio Stream	Full duplex
Audio Interface	Line in/out
NETWORK	
Ethernet	10 Base-T/100 Base-TX Ethernet (RJ-45)
Supported Web Browsers	Microsoft Edge, Chrome
Supported OS	Microsoft Windows 10, Windows 11
Protocols*	IPv4, IPv6, TCP/IP, HTTP, HTTPS, UPnP, RTSP/RTP/RTCP, IGMP, SMTP, DHCP, NTP, DNS, DDNS, QoS, SNMP, 802.1X, UDP, ICMP, ARP, TLS
Interoperability	ONVIF Profile G/S/T/M
Maximum Users Access	10 Users
Security	Software: Firmware encrypted&Signed, SD card encryption, User account and password protection, HTTPS, IP Filter, Digest authentication, TLS1.2 only, Stream encryption, AES128/256, SSH/Telnet closed, PCIDSS compliance & attestation Hardware: Secure boot, Secure authentication chipset built-in
Languages Supported	Arabic, Chinese (Traditional), Czech, Dutch, English, French, German, Italian, Japanese, Korean, Polish, Portuguese (Brazil), Russian, Spanish, Turkish
EVENTS / ANALYTICS	
Video Analytics	Standard: Motion detection, Scene change AI Based: Smart motion, Intrusion, Multi loitering, People counter, Face detection, Line crossing detection, Unattended object detection, Missing object detection
Event Type	Analytics alarm, Security alarm, Disk alarm, Recording alarm, Audio detection
Event Linkage	Email, Push notification, SD card recording, Digital output
Region of Interest	8
Event	Event notification using digital output SMTP, FTP, MicroSD card

* Some development may be required in specific user cases to support some of these protocols in the field as they mature over time.



60 SERIES 4MP ULTRA LOW-LIGHT IR PTZ CAMERAS

ELECTRICAL

Power Supply	AC24V, PoE++ (IEEE 802.3 bt)(Class 6)
Power Consumption (Max)	45 W
Power Output	N/A

MECHANICAL

Dimensions	Ø226.10 x 362.80 mm (8.90" x 14.28")
Product Weight	HC60WZ4R40WI: 5.34 kg (11.77 lb) HC60WZ4R40KI: 5.26 kg (11.60 lb)
Package Weight	HC60WZ4R40WI: 7.09 kg (15.63 lb) HC60WZ4R40KI: 7.01 kg (15.45 lb)
Body Material	Metal (die casting aluminum with powder coating)
Color	White (RAL9003) + Black

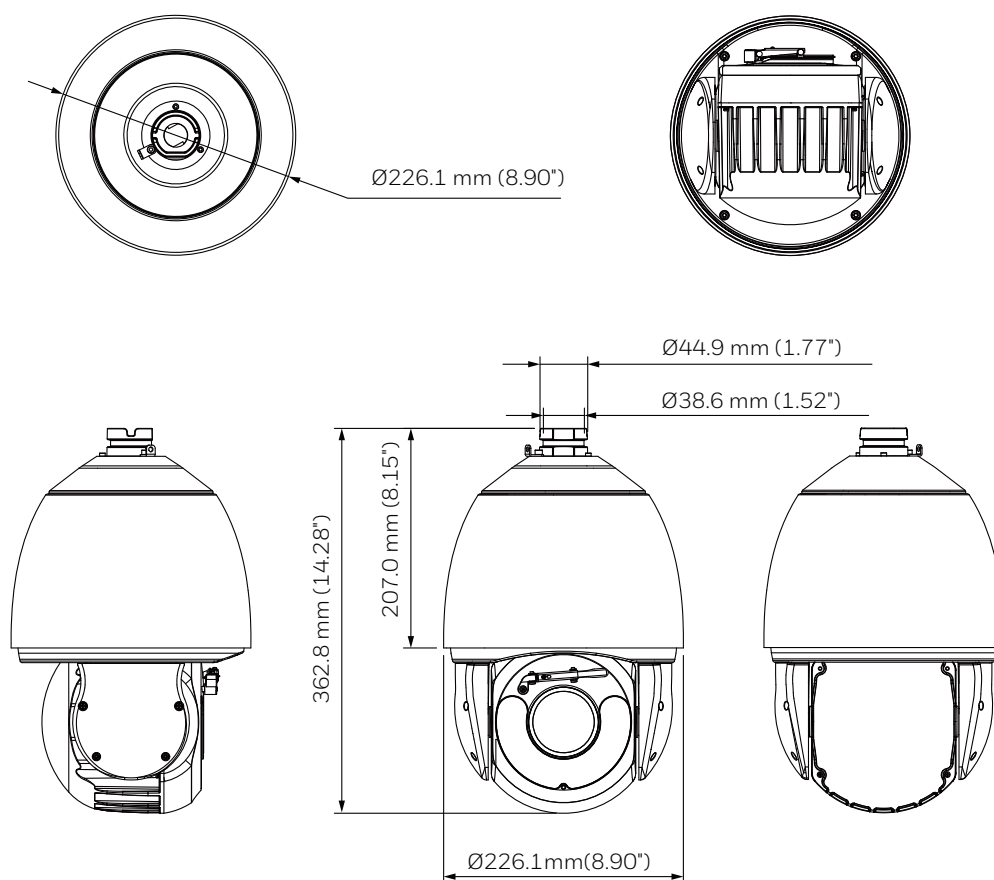
ENVIRONMENTAL

Operating Temperature	Starting Temperature: -40 °C ~ 60 °C (-40 °F ~ 140 °F) Working Temperature: -40 °C ~ 70 °C (-40 °F ~ 158 °F) (IR off)
Relative Humidity	Less than 90 %, Non-condensing
Ingress Protection	IP66, IP67
Impact Resistance	HC60WZ4R40WI: N/A HC60WZ4R40KI: IK10
Heater	Supported
Wiper	HC60WZ4R40WI: Supported HC60WZ4R40KI: N/A

REGULATORY

Emissions	FCC PART 15, CE (EN 55032), ICES-003, Complies with RCM and UKCA
Immunity	CE (EN 50130-4, EN 55035), Complies with RCM and UKCA
Safety	UL LISTED TO UL/CSA 62368-1, CE (EN 62368-1), Complies with RCM and UKCA
RoHS	CE (EN 63000), UAE (cabinet decree No.10 of 2017)
Country Of Origin	Vietnam

DIMENSIONS



60 SERIES 4MP ULTRA LOW-LIGHT IR PTZ CAMERAS

RECOMMENDED ACCESSORIES AND ORDERING

SYSTEM COMPATIBILITY		OPTIONAL MOUNTS AND ACCESSORIES	
Pro-Watch NVR	Up to 256 IP channels RAID5/6 enterprise NVR	HA60CLM01	60S pendent mount base
MAXPRO NVR PE	Up to 128 IP channels RAID5/6 enterprise NVR	HA60WLMZI	60S wall mount bracket
MAXPRO NVR SE	Up to 64 IP channels system NVR	HA60CLM02	60S pendent extension pipe
MAXPRO NVR XE	Up to 16 IP channels system NVR	HA60PLMZI	60S pole mount bracket
MAXPRO NVR Software	Up to 128 IP channels recording software	HA60CNMZI	60S corner mount bracket
ADPRO NVR FastTrace 2E	Up to 32 IP channels with up to 32 VA channels NVRs		
ADPRO NVR IFT-E	Up to 32 IP channels with up to 32 VA channels NVRs		
ADPRO NVR IFT	Up to 32 IP channels or 16 IP channels with up to 16 VA channels NVRs		
ADPRO NVR EFT	Up to 16 IP channels or 8 IP channels with up to 8 VA channels NVRs		
ADPRO NVR IFT Gateway	4 IP channels + 4 VA channels		
Honeywell DVM	Supported with Honeywell DVM R700, DVM R620		
35 Series NVR	4/8/16/32-channel 35 series NVRs (H.264 and H.265)		

ORDERING	
HC60WZ4R40WI	4MP Network IR PTZ Camera, WDR 140 dB, 1/1.8" CMOS, 40X Optical Zoom, TDN, H.265 HEVC Smart Codec, PoE 802.3bt, 24VAC, IP66, with wiper
HC60WZ4R40KI	4MP Network IR PTZ Camera, WDR 140 dB, 1/1.8" CMOS, 40X Optical Zoom, TDN, H.265 HEVC Smart Codec, PoE 802.3bt, 24VAC, IP66, IK10

For More Information:

www.hwl.co/securityUK

www.hwl.co/securityAE

Honeywell Commercial Security

Emaar Business Park,
Sheikh Zayed Road
Building No. 2, 2nd Floor, 201
Post Office Box 232362
Dubai, United Arab Emirates
Tel: +971 4 450 5800

Honeywell Commercial Security

Building 5, Carlton Park
King Edward Avenue
Narborough
Leicester
LE19 0LF
Tel: +44(0)1163 500714
www.honeywell.com



ONVIF and the ONVIF logo are trademarks of ONVIF Inc.
Honeywell reserves the right, without notification, to
make changes in product design or specifications.

HSV-HC60WZ4R40xI-01-UK(1023)DS-Y
© 2023 Honeywell International Inc.

Honeywell