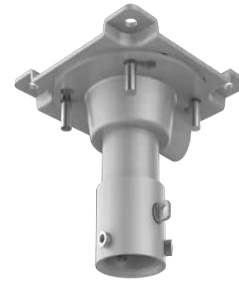


DS-4610ZJ-GSAC

Pendant Mount



Key Feature

- For pendant mount
- SUS316L stainless steel

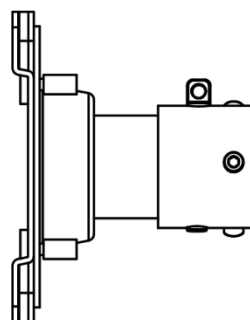
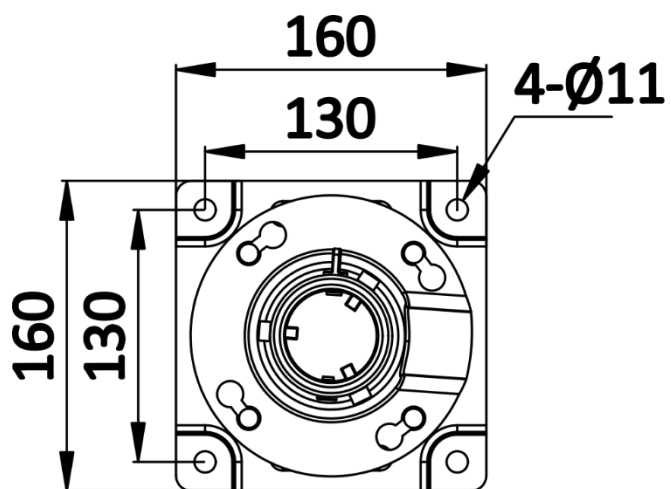
Specification

Model	DS-4610ZJ-GSAC
Weight	Approx. 2.5 kg (5.51 lb.)
Appearance	Silver moon gray
Material	SUS316L
Dimension	160 × 160 × 124 mm (6.30" × 6.30" × 4.88")

Available Model

DS-4610ZJ-GSAC

Dimension



Unit mm

