

DS-4680ZJ-GP

Junction box



Key Feature

- Anti-corrosion junction box

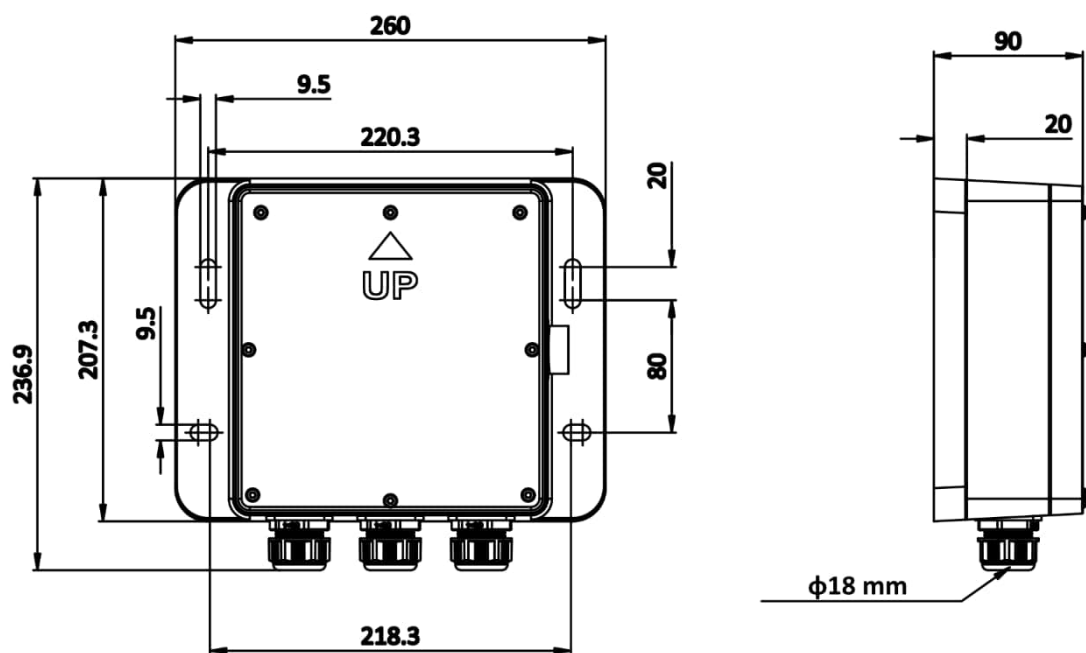
Specification

Model	DS-4680ZJ-GP
Weight	Approx. 2.5 kg (5.51 lb.)
Appearance	428C
Material	Plastic, PA66+15%GF
Dimension	260 × 237 × 90 mm (10.24" × 9.33" × 3.54")

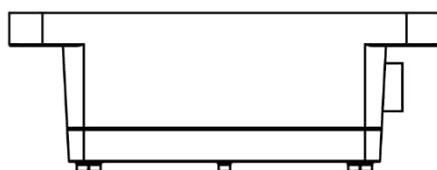
Available Model

DS-4680ZJ-GP

Dimension



Unit:mm



Wall Mounting Hole
220.3*90(4* $\phi 9.5$)