

GV-GBL4900 Cloud AI 4MP H.265 Super Low Lux WDR Pro IR Bullet IP

Camera



- Direct-to-Cloud
- AI deep learning: AI Perimeter Protection & Classification (Human, Vehicle)
- 1/3" progressive scan CMOS
- Triple streams from H.265, H.264 and MJPEG
- Min. illumination at 0.005 lux
- Up to 30 fps at 2592 x 1520
- Intelligent IR
- IR distance up to 50 m (165 ft)
- Day and Night function (with removable IR-cut filter)
- Ingress protection (IP67)
- Vandal resistance (IK10 for metal casing)
- DC 12V / PoE (IEEE 802.3af)
- Built-in micro SD card slot (SDHC / SDXC / UHS-I, Class 10) for local storage
- Two-way audio capable
- Built in microphone
- Wide Dynamic Range Pro (WDR Pro)
- Defog
- GV-Center V2 connection
- AI analytics (Line Crossing, Region Entrance, Region Exiting, Region Intrusion, Target Counting, Heat Map, Loitering Detection, Illegal Parking Detection, Face Detection, Video Metadata)
- Motion detection
- Text overlay
- Privacy mask
- 19 languages supported
- ONVIF (Profile G, S, T, M) conformant

Introduction

GV-GBL4900 is an outdoor bullet IP camera equipped with automatic IR-cut filter and IR LEDs for day and night surveillance. The camera supports H.265 video codec to achieve better compression ratio while maintaining high quality pictures at reduced network bandwidth. GV-GBL4900 adheres to IP67 and IK10 standards, and can be powered through PoE.

Empowered by deep learning algorithms, AI technology distinguishes human and vehicles from other moving objects. When integrated with GeoVision Video Management Software (VMS), it supports AI perimeter protection, real time alert, events playback and more. By connecting the camera to the cloud-based data center and video surveillance solution, GV-Cloud VMS, thousands of on-site videos, alarm devices, and AI events can be monitored and managed from a single platform.

Deep Learning Function

Face Detection

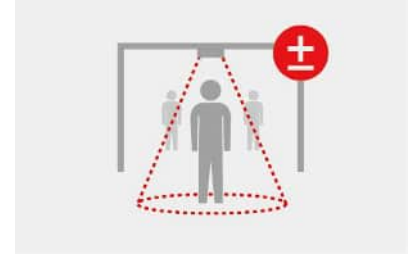


AI Perimeter Protection

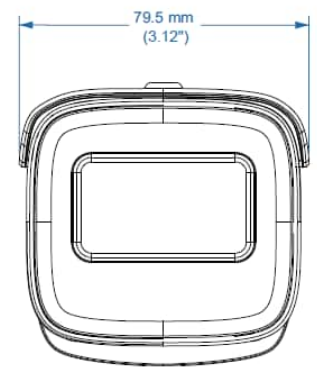
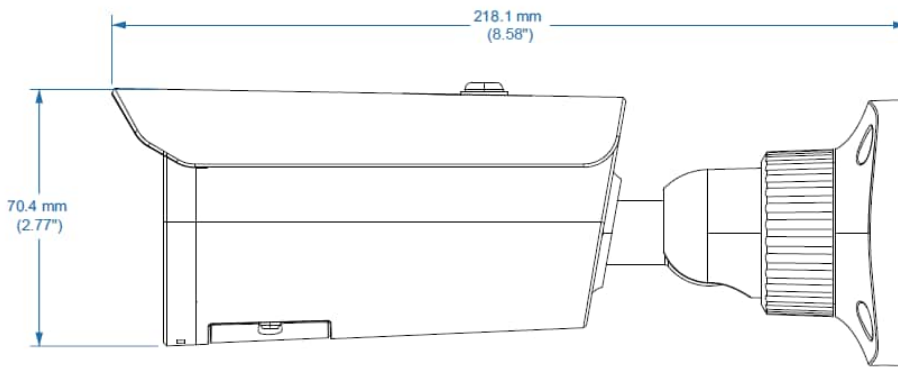
(Region Intrusion, Line Crossing, Region Entrance, Region Exiting)



People Counting



Dimensions



Specifications

Camera		
Image Sensor		1/3" progressive scan CMOS
Picture Elements		2592 (H) x 1520 (V)
Minimum Illumination	Color	0.005Lux (F1.6, AGC ON)
	IR On	0 Lux
Shutter Speed		Automatic, Manual (1/3 ~ 1/100000 sec)
White Balance		Automatic, Manual
Gain Control		Automatic, Manual
S/N Ratio		50 dB
WDR Pro		Yes
Dynamic Range		120 dB
Lens		
Megapixel		4 MP
Day/Night		Yes (with removable IR-cut filter)
Focal Length		2.8 mm
Lens Type		Fixed
Maximum Aperture		F/1.6
Mount		M12
Horizontal FOV		95.3°
Operation	Focus	Fixed
	Zoom	Fixed
	Iris	Fixed
IR LED Quantity		2 IR LEDs

Max. IR Distance		50 m (165 ft)			
DORI		Detect	Observe	Recognize	Identify
Lens	2.8 mm	60.6 m (198.8 ft)	24.8 m (81.3 ft)	12.1 m (39.6 ft)	6.0 m (19.6 ft)
Operation					
Video Compression		H.265, H.265+, H.264, H.264+, MJPEG			
Video Streaming		Triple streams			
Video Resolution	Main Stream	2592 x 1520 (Default), 2560 x 1440, 2304 x 1296, 1920 x 1080			
	Sub Stream	1280 x 720 (Default), 704 x 576, 704 x 480, 640 x 480, 640 x 360, 480 x 240, 352 x 288, 352 x 240			
	Third Stream	1280 x 720 (Default), 704 x 576, 704 x 480, 480 x 240, 352 x 288, 352 x 240			
Frame Rate		30 fps at 2592 x 1520 / 2560 x 1440 / 2304 x 1296 / 1920 x 1080 / 1280 x 720 / 704 x 480 / 640 x 480 / 640 x 360 / 480 x 240 / 352 x 240 (60 Hz) 25 fps at 2592 x 1520 / 2560 x 1440 / 2304 x 1296 / 1920 x 1080 / 1280 x 720 / 704 x 576 / 640 x 480 / 640 x 360 / 480 x 240 / 352 x 288 (50 Hz) * The frame rate and performance may vary depending on the number of connections and data bitrates (different scenes).			
Video Analytics		Motion Detection, Object Abandoned / Missing Detection			
Smart Alarm		Motion Detection, SD Card Error, SD Card Full, IP Address Conflict, Cable Disconnection, Scene Change Detection, Video Blur Detection, Video Cast Detection, Audio Exception			
Image Setting		Brightness, Contrast, Saturation, Sharpness, Flicker-less, 3D Noise Reduction, Image Orientation (Flip, Mirror, 0°, 90°, 180°, 270°-including Corridor format).			
Dual Redundant Images		Yes (for failsafe firmware upgrade)			
Audio Compression		G.711			
Audio Support		Two-way audio (external speaker required)			
Digital I/O	Input	1 Input, dry contact, NO / NC			
	Output	1 Relay Output (1A 30V DC / 0.3A 125V AC)			
Deep Learning Function					
AI Analytics		Face Event: Face Detection Smart Event: - Line Crossing, Region Entrance, Region Exiting, Region Intrusion, Target Counting, Heat Map, Video Metadata: Human & Vehicle classification - Loitering Detection, Illegal Parking Detection *A maximum of 2 smart detection functions are suggested at a time to ensure comprehensive detection results and the optimized performance by the camera. *Once connected to GV-Cloud VMS / GV-Center V2, up to 2 smart detection functions are supported.			
Network					
Interface		10/100 Ethernet			
Protocol		802.1x, DDNS, DHCP, FTP, HTTP POST, HTTP, HTTPs, IPv4, IPv6, NTP, ONVIF (Profile G, S, T, M), PPPoE, QoS, RTCP, RTMP, RTP, RTSP, SMTP, SNMP, UDP, UPnP			
Mechanical					
Camera Angle Adjustment	Pan	0 ~ 360°			
	Tilt	0 ~ 90°			
	Rotate	0 ~ 360°			
Connectors	Power	DC jack (DC 12 V, 1.25 A), PoE (IEEE802.3af)			
	Ethernet	RJ-45			
	Audio	1 In (built-in microphone, external speaker required with power supply) 1 Out (stereo phone jack, 3.5 mm / 0.14")			
	Digital I/O	4-pin terminal block pitch 3.5 mm (0.14")			
	Local Storage	Micro SD card slot (SDHC / SDXC / UHS-I, Class 10) * UHS-II card type is not supported.			
General					
Operating Temperature		-30~ 60°C (-22 ~ 140°F)			
Humidity		0 ~ 95% (no condensation)			
Power Source		12 V DC / PoE (IEEE802.3af)			
Max. Power Consumption		10 W			
Dimensions		218.1 x 70.4 x 79.5 mm (8.58 x 2.77 x 3.12")			
Weight		0.67 kg (1.48 lb)			
Ingress Protection		IP67			

Vandal Resistance	IK10 for metal casing
Certification	CE, FCC, RoHS, UKCA compliant
Web Interface	
Installation Management	Web-based configuration
Maintenance	Firmware upgrade through Web Browser or Utility
Access from Web Browser	Live View, Playback, Video Recording, Image Quality, Bandwidth Control, Image Snapshot, Digital Zoom, Text Overlay, Image Masking, Intelligent Mark
Language	Hungarian, English, Spanish, Spanish (LA), Italian, Portuguese, Russian, Polish, Romanian, Hebrew, German, French, Dutch, Norwegian, Czech, Turkish, Japanese, Korean, Chinese Traditional
Software Applications	
Software Supported	GV-VMS (V17.4.7 or later, V18.3.2 or later), GV-Edge Recording Manager (V2.2.7 or later), GV-Control Center (V4.2.0 or later), GV-Recording Server (V2.1.1 or later), GV-Cloud VMS (V1.1.0 or later), GV-Center V2 (V18.4.1 or later)
Smart Device Access	GV-Eye for iOS and Android (V3.1.1 or later)
Live Viewing	Web Browser (IE, Edge, Chrome, Firefox, Safari), Mobile App





Note:

- When connecting to GV-Cloud VMS, avoid connecting to other GV-Software at the same time.
- Industrial-grade microSD cards are recommended to avoid event recordings writing failure.
- All specifications are subject to change without notice.

Packing List

- GV-GBL4900 Bullet
- Waterproof Rubber Set
- Screw Kit
- Drill Template Paster
- Download Guide

Accessories

Model No.	Name		Details
GV-Mount507	Junction Box		Dimensions: 96 x 38.8 mm (3.78" x 1.53") Weight: 0.135 kg (0.30 lb)
GV-Mount507-1	Junction Box		Dimensions: 111.7 x 55 mm (4.40" x 2.17") Weight: 0.332 kg (0.73 lb)
GV-PA191	PoE Adapter		GV-PA191 is a Power over Ethernet (PoE) adapter designed to provide power to the IP device through a single Ethernet cable.
GV-PA301	Gigabit PoE Adapter		GV-PA301 is a Gigabit Power over Ethernet (PoE) adapter.
GV-POE Switch			GV-POE Switch is designed to provide power along with network connection for IP devices. The GV-POE Switch is available in various models with different numbers and types of ports.
Power Adapter			Contact our sales representatives for the countries and areas supported.