

## DS-2CD6W65G1-IVS 6 MP IR Network Fisheye Camera



DS-2CD6W65G1-IVS is a fisheye network camera capable of providing a 360-degree panoramic image of its scene. The progressive scan CMOS sensor provides high-resolution images of up to 2560 × 2560. Up to 20 live view display modes, designed for 3 mount types, meet various user preferences. Three independently controlled IR lights offer a range of 15 m and provide good vision in low or even zero-light environment.

- Heatmap: based on deep learning algorithms, the camera counts people and presents an intuitive map
- Multi dewarping modes: the image can be dewarped to normal image for viewing intuitively
- Built-in mic and speaker: the camera supports two-way audio for real-time audio security monitoring and communication
- Built-in IR light: an IR range of 15 meters provides good visibility in low or even zero-light environments
- High resolution 6 MP: capturing clear images even when dewarped into 4-image PTZ mode
- Each image is clear and detailed
- Supports controlling lens remotely for physical mask function
- Supports blue indicator light to show the device working status
- Water and dust resistant (IP67) and vandal resistant (IK10)

## ▪ Specification

| Camera                  |   |
|-------------------------|---|
| Image Sensor            | 1/1.8" Progressive Scan CMOS  |
| Max. Resolution         | 2560 × 2560   |
| Min. Illumination       | Color: 0.01 Lux @ (F2.25, AGC ON), B/W: 0.005 Lux @ (F2.25, AGC ON), B/W: 0 Lux with IR |
| Shutter Time            | 1 s to 1/100,000 s  |
| Day & Night             | IR cut filter   |
| Lens                    |   |
| Lens Type               | Fixed focal lens, 1.16 mm   |
| Focal Length & FOV      | 1.16 mm, horizontal FOV 180°, vertical FOV 180°   |
| Iris Type               | Fixed   |
| Aperture                | F2.25   |
| Depth of Field          | 0.2 m to ∞  |
| DORI                    |   |
| DORI                    | D: 23.2 m<br>O: 9.2 m<br>R: 4.6 m<br>I: 2.3 m   |
| Illuminator             |   |
| Supplement Light Type   | IR  |
| Supplement Light Range  | Up to 15 m  |
| Supplement Light Number | 2   |
| Smart Supplement Light  | Yes   |
| IR Wavelength           | 940 nm  |
| HEOP                    |   |
| Open Resources          | Memory: 60 MB,<br>Smart RAM: 800 MB,<br>eMMC: 2 GB                                      |
| Computing Power         | 2 TOPS  |
| Open Capability         | HEOP 2.0 OpendevSDK   |
| Deep Learning Structure | Caffe, TensorFlow, PyTorch  |
| Programming Language    | C, C++  |

| Video                       |   |
|-----------------------------|---|
| Main Stream                 | 50 Hz: 25 fps/60 Hz: 30 fps:<br>Fisheye View:<br>2560 × 2560, 2048 × 2048, 1280 × 1280<br>180 Panorama View:<br>2048 × 1536, 1920 × 1440<br>180 Dual Channel Panorama View:<br>2048 × 768, 1920 × 720<br>Panorama View:<br>2048 × 1536, 1920 × 1440<br>4PTZ View:<br>camera 01/camera 02/camera 03/camera 04: 1024 × 768<br>Fisheye + 3PTZ View:<br>camera 01: 2048 × 2048, 1024 × 1024<br>camera 02/camera 03/camera 04: 1024 × 768<br>4PTZ Fusion View:<br>2048 × 1536, 1600 × 1200 |
| Sub-Stream                  | 50 Hz: 25 fps/60 Hz: 30 fps:<br>Fisheye View:<br>720 × 720, 480 × 480<br>180 Panorama View:<br>640 × 480, 320 × 240<br>180 Dual Channel Panorama View:<br>640 × 480, 320 × 240<br>Panorama View:<br>640 × 360, 320 × 240<br>4PTZ View:<br>camera 01/camera 02/camera 03/camera 04: 640 × 480, 320 × 240<br>Fisheye + 3PTZ View:<br>camera 01: 720 × 720<br>camera 02/camera 03/camera 04: 640 × 480, 320 × 240  |
| Video Compression           | Main stream: H.265+/H.265/H.264+/ H.264,<br>Sub-stream: H.265/H.264/MJPEG   |
| Video Bit Rate              | 32 Kbps to 16 Mbps  |
| H.264 Type                  | Baseline Profile, Main Profile, High Profile  |
| H.265 Type                  | Main Profile  |
| Bit Rate Control            | CBR, VBR  |
| Scalable Video Coding (SVC) | H.264 and H.265 encoding  |
| Region of Interest (ROI)    | 4 fixed regions for each stream   |
| Fisheye Display             |   |
| Mount Type                  | Support wall/table/ceiling mounting   |
| Decoding Mode               | Support hardware decoding and software decoding   |

|                             |   |
|-----------------------------|---|
| Display Mode                | 20 display modes in total,<br>Software decoding: fisheye view, 180 panorama view, 360 panorama view, 360 panorama + PTZ, 360 panorama + 3PTZ, 360 panorama + 6PTZ, 360 panorama + 8PTZ, 2PTZ, 4PTZ, fisheye + 3PTZ, fisheye + 8PTZ, hemisphere, AR hemisphere, cylinder,<br>Hardware decoding: fisheye view, 180 panorama view, 180 dual channel panorama, panorama view, 4PTZ, fisheye + 3PTZ, 4PTZ fusion |
| <b>Audio</b>                |   |
| Audio Compression           | G.711/G.722.1/G.726/MP2L2/PCM/MP3/AAC-LC  |
| Audio Bit Rate              | 64 Kbps (G.711ulaw/G.711alaw)/16 Kbps (G.722.1)/16 Kbps (G.726)/32 to 192 Kbps (MP2L2)/8 to 320 Kbps (MP3)/16 to 64 Kbps (AAC-LC)   |
| Audio Sampling Rate         | 8 kHz/16 kHz/32 kHz/48 kHz  |
| Environment Noise Filtering | Yes   |
| <b>Network</b>              |   |
| Protocols                   | TCP/IP, ICMP, HTTP, HTTPS, FTP, SFTP, DHCP, DNS, DDNS, RTP, RTSP, RTCP, PPPoE, NTP, UPnP, SMTP, SNMP, IGMP, 802.1X, QoS, IPv4, IPv6, UDP, Bonjour, SSL/TLS, ISUP, ARP, WebSocket, WebSockets, SIP   |
| Simultaneous Live View      | Up to 20 channels   |
| API                         | Open Network Video Interface (Profile S, Profile G, Profile T), ISAPI, SDK, ISUP, Support for Session Initiation Protocol (SIP) for integration with Voice over IP (VoIP) systems, peer to peer or integrated with SIP/PBX  |
| User/Host                   | Up to 32 users<br>3 user levels: administrator, operator, and user  |
| Security                    | Password protection, complicated password, HTTPS encryption, 802.1X authentication (EAP-TLS, EAP-LEAP, EAP-MD5), watermark, IP address filter, basic and digest authentication for HTTP/HTTPS, WSSE and digest authentication for Open Network Video Interface, RTP/RTSP over HTTPS, control timeout settings, security audit log, TLS 1.2, host authentication (MAC address)                               |
| Network Storage             | NAS (NFS, SMB/CIFS), Auto Network Replenishment (ANR), Together with high-end Hikvision memory card, memory card encryption and health detection are supported.   |
| Client                      | iVMS-4200, iVMS-4500, iVMS-5200, Hik-Connect  |
| Web Browser                 | Plug-in required live view: IE 10, IE 11,<br>Plug-in free live view: Chrome 57.0+, Firefox 52.0+, Edge 89+, Safari 11+,<br>Local service: Chrome 57.0+, Firefox 52.0+, Edge 89+   |
| <b>Image</b>                |   |
| Image Parameters Switch     | Yes   |
| Image Settings              | saturation, brightness, contrast, sharpness, white balance, AGC, adjustable by client software or web browser   |
| Day/Night Switch            | Day, Night, Auto, Schedule, Alarm Trigger   |
| Wide Dynamic Range (WDR)    | Digital WDR   |
| Image Enhancement           | BLC, HLC, 3D DNR, Distortion Correction, Defog  |
| Privacy Mask                | 8 programmable polygon privacy masks  |
| Picture Overlay             | LOGO picture can be overlaid on video with 128 × 128 24 bit bmp format.   |
| <b>Interface</b>            |   |
| Ethernet Interface          | 1 RJ45 10 M/100 M/1000 M self-adaptive Ethernet port  |
| On-Board Storage            | Built-in memory card slot, support microSD/microSDHC/microSDXC card, up to 256 GB   |

|                               |  |
|-------------------------------|--|
| Built-in Microphone           | Yes, 1 built-in microphone   |
| Audio                         | 1 input (line in), 3.5 mm connector, max. input amplitude: 3.3 Vpp, input impedance: 4.7 K $\Omega$ , interface type: non-equilibrium,<br>1 output (line out), 3.5 mm connector, max. output amplitude: 3.3 Vpp, output impedance: 100 $\Omega$ , interface type: non-equilibrium  |
| Alarm                         | 2 inputs, 2 outputs (max. 24 VDC, 1 A)   |
| RS-485                        | 1 RS-485 (Half duplex, HIKVISION, Pelco-P, Pelco-D, self-adaptive)   |
| Reset Key                     | 1 Reset Key  |
| Indicator                     | Yes  |
| <b>Event</b>                  |  |
| Basic Event                   | Motion detection, video tampering alarm, alarm input and output, exception (network disconnected, IP address conflict, illegal login, HDD full, HDD error)   |
| Smart Event                   | Line crossing detection, intrusion detection, region entrance detection, region exiting detection, scene change detection, audio exception detection, defocus detection, unattended baggage detection, object removal detection  |
| Linkage                       | Upload to FTP/NAS/memory card, notify surveillance center, send email, trigger alarm output, trigger recording, trigger capture  |
| <b>Deep Learning Function</b> |  |
| People Counting               | Counts people entering, exiting and passing by separately (The data is stored in the flash.)<br>Supports real-time uploading and uploading by statistic cycle<br>Sends email reports on daily, weekly, monthly or annually basis<br>Supports up to 3 detection regions<br>Supports for setting the linkage method  |
| Queue Management              | Supports up to 8 detection regions, and independent arming schedule and linkage method<br>Supports 2 detection modes: regional people queuing-up, waiting time detection<br>Generates reports to compare the efficiency of different queuing-ups and display the changing status of one queue<br>Supports raw data export for further analysis<br>Supports real-time data uploading and scheduled data uploading<br>Regional people queuing-up: supports 4 alarm trigger conditions, including greater than threshold, less than threshold, equal to threshold, not equal to threshold<br>Waiting time detection: supports 1 alarm trigger condition, including greater than threshold |
| Heat Map                      | A graphic description of visits (by calculating amount of people or amount of dwell time) in a configured area.,<br>Two report types are available, space heat map and time heat map line chart.   |
| Intersection Analysis         | Detects and analyze flow in an intersection-like scene, and generate reports<br>Support one intersection of up to 10 ways  |
| <b>General</b>                |  |
| Power                         | 12 VDC $\pm$ 20%, 0.75 A, max. 9 W, two-core terminal block,<br>PoE: IEEE 802.3af, Class 3, max. 10 W  |
| Material                      | Metal  |
| Dimension                     | 213.73 mm $\times$ 199.67 mm $\times$ 137.57 mm (8.4" $\times$ 7.86" $\times$ 5.42")   |
| Package Dimension             | 255 mm $\times$ 255 mm $\times$ 190 mm (8.4" $\times$ 7.86" $\times$ 5.42")  |

|                                  |   |
|----------------------------------|---|
| Weight                           | Approx. 610 g (1.34 lb.)  |
| With Package Weight              | Approx. 1904 g (4.20 lb.)   |
| Storage Conditions               | -30 °C to 60 °C (-22 °F to 140 °F). Humidity 95% or less (non-condensing)   |
| Startup and Operating Conditions | -30 °C to 60 °C (-22 °F to 140 °F). Humidity 95% or less (non-condensing)   |
| Language                         | 33 languages: English, Russian, Estonian, Bulgarian, Hungarian, Greek, German, Italian, Czech, Slovak, French, Polish, Dutch, Portuguese, Spanish, Romanian, Danish, Swedish, Norwegian, Finnish, Croatian, Slovenian, Serbian, Turkish, Korean, Traditional Chinese, Thai, Vietnamese, Japanese, Latvian, Lithuanian, Portuguese (Brazil), Ukrainian |
| General Function                 | Heartbeat, mirror, flash log, password reset via email, pixel counter, password protection, one-key reset, anti-banding   |
| Cable Length                     | 0.31 m (1.02 ft.)   |
| <b>Approval</b>                  |   |
| EMC                              | CE-EMC: EN 55032:2015+A1:2020, EN 50130-4:2011+A1:2014, EN IEC 61000-3-2:2019+A1:2021, EN 61000-3-3:2013+A1:2019+A2:2021,<br>RCM: AS/NZS CISPR 32: 2015,<br>IC: ICES-003: Issue 7,<br>KC: KN32: 2015, KN35: 2015  |
| Safety                           | UL: UL 62368-1,<br>CB: IEC 62368-1: 2014+A11,<br>CE-LVD: EN 62368-1: 2014/A11: 2017,<br>BIS: IS 13252 (Part 1): 2010/IEC 60950-1: 2005  |
| Environment                      | CE-RoHS: 2011/65/EU,<br>WEEE: 2012/19/EU,<br>Reach: Regulation (EC) No 1907/2006  |
| Protection                       | IP67: IEC 60529-2013, IK10: IEC 62262:2002  |

## ▪ Typical Application

Hikvision products are classified into three levels according to their anti-corrosion performance. Refer to the following description to choose for your using environment.

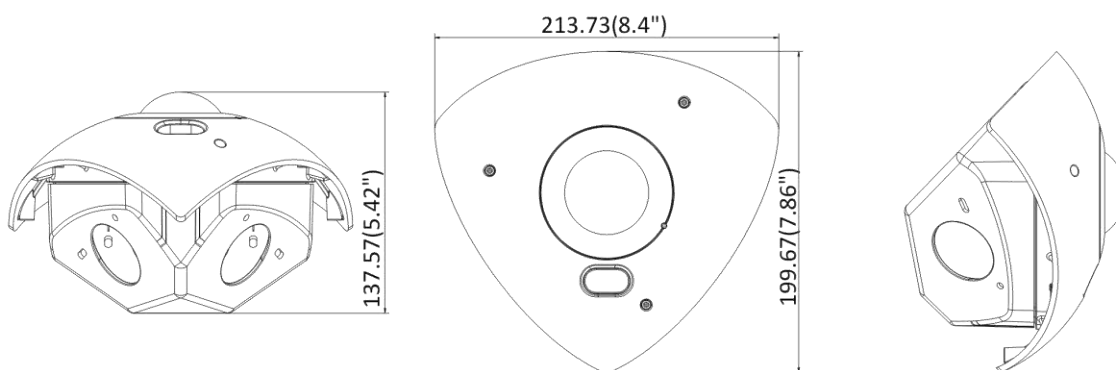
This model has NO SPECIFIC PROTECTION.

| Level                  | Description  |
|------------------------|--|
| Top-level protection   | Hikvision products at this level are equipped for use in areas where professional anti-corrosion protection is a must. Typical application scenarios include coastlines, docks, chemical plants, and more.   |
| Moderate protection    | Hikvision products at this level are equipped for use in areas with moderate anti-corrosion demands. Typical application scenarios include coastal areas about 2 kilometers (1.24 miles) away from coastlines, as well as areas affected by acid rain. |
| No specific protection | Hikvision products at this level are equipped for use in areas where no specific anti-corrosion protection is needed.  |

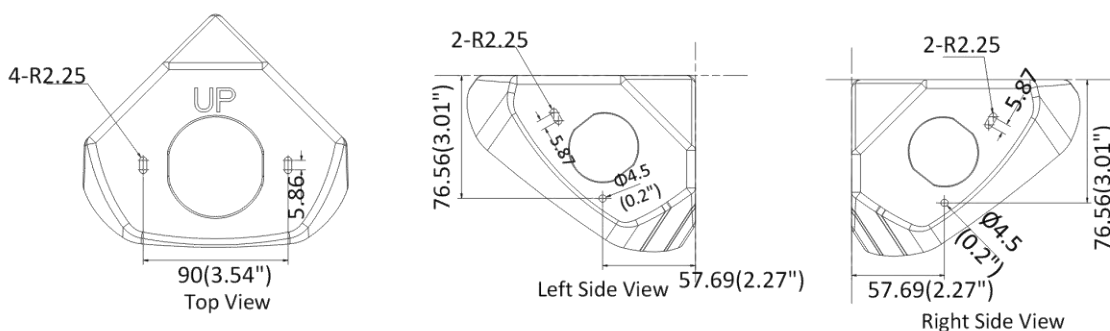
## ▪ Available Model

DS-2CD6W65G1-IVS(1.16mm)

▪ **Dimension**



**Screw Hole**



Unit: mm (inch)

**Headquarters**

No.555 Qianmo Road, Binjiang District,  
Hangzhou 310051, China  
T +86-571-8807-5998  
www.hikvision.com



Follow us on social media to get the latest product and solution information.

