

## GV-TBLP8800 AI 180° Panoramic 8MP H.265 Super Low Lux WDR Pro IR Fixed Bullet IP Camera

use-IP

AI  
Artificial Intelligence



- AI deep learning: AI Perimeter Protection & Classification (Human, Vehicle)
- 1/2.7" progressive scan CMOS
- Min. illumination at 0.01 lux
- Triple streams from H.265, H.264 and MJPEG
- Up to 30 fps at 3840 x 2160
- Intelligent IR
- IR distance up to 20 m (65 ft)
- Day and Night function (with removable IR-cut filter)
- 180° panoramic view
- Ingress protection (IP67)
- DC 12V / PoE (IEEE 802.3af)
- Built-in micro SD card slot (SD / SDHC / SDXC / UHS-I, Class 10) for local storage
- Built-in microphone
- Wide Dynamic Range Pro (WDR Pro)
- AI analytics (Intrusion, Crossing Line, Entering Area, Leaving Area)
- 3D noise reduction
- Motion detection
- Tampering Alarm
- Defog
- Text overlay
- Privacy mask
- 12 languages supported
- ONVIF (Profile G, S, T) conformant

### Introduction

The panoramic bullet IP camera is an outdoor, network camera that captures 180° horizontal coverage, providing a wide coverage of view for open and large areas with just one camera. It is equipped with an automatic IR-cut filter and IR LEDs for day and night surveillance. GV-TBLP8800 adheres to IP67 standards, and can be powered through PoE. The camera supports H.265 video codec to achieve better compression ratio while maintaining high quality pictures at reduced network bandwidths.

Empowered by deep learning algorithms, AI technology distinguishes human and vehicles from other moving objects. Integrated with GeoVision Video Management Software (VMS), it supports AI perimeter protection, real time alert, events playback and more.

### 180 Degree Panoramic View



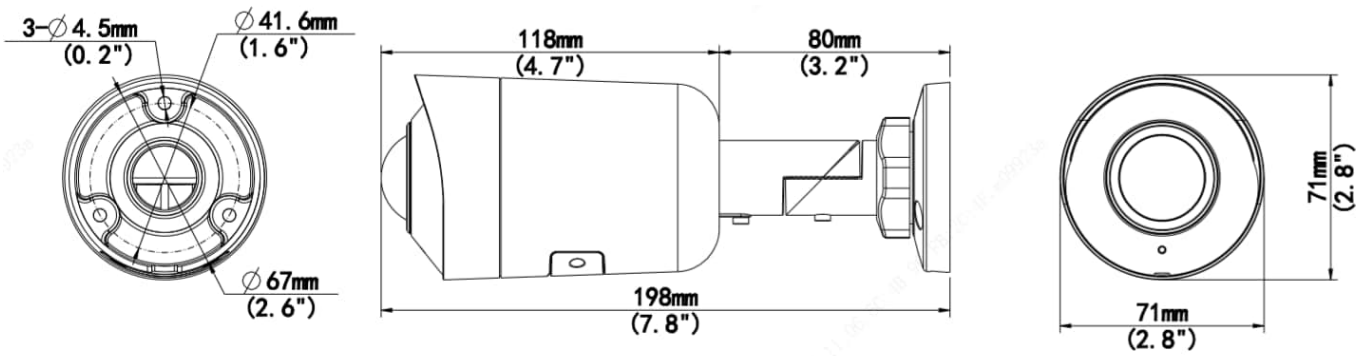
## Deep Learning Function

### AI Perimeter Protection



(Intrusion, Crossing Line, Entering Area, Leaving Area)

## Dimensions



## Specifications

Camera					
Image Sensor		1/2.7" progressive scan CMOS			
Picture Elements		3840 (H) x 2160 (V)			
Minimum Illumination	Color	0.01 Lux (F2.0, AGC ON)			
	IR On	0 Lux			
Shutter Speed		Automatic, Manual (1 ~ 1/100000 sec)			
White Balance		Automatic, Manual			
Gain Control		Automatic, Manual			
S/N Ratio		52 dB			
WDR Pro		Yes			
Dynamic Range		120 dB			
Lens					
Megapixel		8 MP			
Day/Night		Yes (with removable IR-cut filter)			
Focal Length		1.68 mm			
Lens Type		Fixed			
Maximum Aperture		F/2.0			
Mount		M12			
Horizontal FOV		180°			
Operation	Focus	Fixed			
	Zoom	Fixed			
	Iris	Fixed			
IR LED Quantity		2 IR LEDs			
Max. IR Distance		20 m (65 ft)			
DORI		Detect	Observe	Recognize	Identify
Lens	1.68mm	37.8 m (124.0 ft)	15.1 m (49.6 ft)	7.6 m (24.8 ft)	3.8 m (12.4 ft)
Operation					
Video Compression		H.265, H.264, MJPEG			

Video Streaming	Triple streams		
Video Resolution	Main Stream	3840 x 2160 (Default), 3072 x 1728, 2560 x 1440, 1920 x 1080	
	Sub Stream	1280 x 720, 720 x 576, 640 x 480, 640 x 360 (Default), 704 x 288, 352 x 288	
	Third Stream (Closed by Default)	640 x 360, 352 x 288	
Frame Rate	30 fps at 3840 x 2160, 3072 x 1728, 2560 x 1440, 1920 x 1080 (50/60 Hz) *The frame rate and performance may vary depending on the number of connections and data bitrates (different scenes).		
Maximum throughput	50 Mbps		
Maximum stream *When the total bitrate is within the maximum throughput	20		
Video Analytics	Motion Detection, Audio Alarm, Tamper Detection. *Tampering detection and audio alarm are only accessible through the camera's Web interface, which can be used to trigger alerts such as e-mail and FTP		
Image Setting	Brightness, Contrast, Saturation, Sharpness, Flicker-less, 3D Noise Reduction, Image Orientation (Flip, Mirror, 0°, 180°).		
Audio Compression	G.711		
Audio Support	One-way audio		
<b>Deep Learning Function</b>			
AI Analytics	Intrusion, Crossing Line, Entering Area, Leaving Area (Human & Vehicle classification)		
<b>Network</b>			
Interface	10M/100M Ethernet		
Protocol	IPv4, IPv6, ARP, TCP, UDP, RTCP, RTP, RTSP, RTMP, HTTP, HTTPS, DNS, DDNS, DHCP, FTP, NTP, SMTP, SNMP, PPPoE, 802.1x, QoS, IGMP, ONVIF Profile (G, S, T)		
<b>Mechanical</b>			
Camera Angle Adjustment	Pan	0° ~ 360°	
	Tilt	0° ~ 90°	
	Rotate	0° ~ 360°	
Connectors	Power	DC Jack, PoE	
	Ethernet	RJ-45	
	Audio	Built-in microphone	Yes
		External microphone required	No
		Built-in speaker	No
		External speaker required	No
	*For devices with microphone or speaker, choose either the built-in or external option.		
*If equipped with an audio in port, it only supports microphones with power supply.			
Local Storage	Micro SD card slot (SD / SDHC / SDXC / UHS-I, Class 10), up to 256 GB *UHS-II card type is not supported.		
<b>General</b>			
Operating Temperature	-30°C ~ 60°C (-22°F ~ 140°F)		
Humidity	0 ~ 95% (no condensation)		
Power Source	12 V DC / PoE (IEEE802.3af)		
Max. Power Consumption	7 W		
Dimensions	198 x 71 x 71 mm (7.8 x 2.8 x 2.8")		
Weight	0.42 kg (0.93 lb)		
Ingress Protection	IP67		
Certification	CE, FCC, LVD, RoHS, UL compliant		
<b>Web Interface</b>			
Installation Management	Web-based configuration		
Maintenance	Firmware upgrade through Web Browser or Utility		
Access from Web Browser	Live View, Video Recording, Change Video Quality, Bandwidth Control, Image Snapshot, Text Overlay, Image Masking		
Language	Czech, English, French, German, Hungarian, Italian, Japanese, Polish, Portuguese, Russian, Spanish, Traditional Chinese		

## Software Applications

Software Supported	GV-VMS (V17.4.7 or later / V18.3.2 or later), GV-Control Center (V4.2.0 or later), GV-Edge Recording Manager Windows Version (V2.2.8 or later), GV-Recording Server / Video Gateway (V2.1.1 or later)
Smart Device Access	GV-Eye for iOS and Android (V3.2.0 or later)
Live Viewing	Browser (IE, Edge, Chrome, Firefox)

**Note:** All specifications are subject to change without notice.

## Packing List

1. GV-TBLP8800 IR Bullet
2. Waterproof Rubber Set
3. Screw kit
4. Drill Template Paster
5. Torx Wrench
6. Download Guide

## Accessories

Model No.	Name		Details
GV-Mount300-2 (must be used with GV-Mount504)	Convex Corner Mount		Dimensions: 137 x 233 x 160 mm (5.4" x 9.17" x 6.3") Weight: 1.65 kg (3.64 lb)
GV-Mount310-2 (must be used with GV-Mount504)	Concave Corner Mount		Dimensions: 111.2 x 369.9 x 210 mm (2.6" x 11.4" x 6.6") Weight: 1.65 kg (3.64 lb)
GV-Mount440 (must be used with GV-Mount504)	Pole Mount		Dimensions: 127 x 136 x 62.5 mm (5.0" x 5.4" x 2.5") Weight: 0.34 kg (0.75 lb) Steel Strap Diameter: $\varnothing$ 67 ~ 127 mm ( $\varnothing$ 2.6" ~ 5")
GV-Mount504	Wall Mount Bracket		Dimensions: 104.4 x 54.5 mm (4.11" x 2.15") Weight: 0.36 kg (0.79 lb)
GV-Mount924 (for standard US single and double gang boxes only)	Power Box Mount Bracket		Dimensions: $\varnothing$ 128 x 18.5 mm ( $\varnothing$ 5" x 0.7") Weight: 0.15 kg (0.33 lb)
GV-PA191	Power over Ethernet (PoE) Adapter		GV-PA191 is a Power over Ethernet (PoE) adapter designed to provide power to the IP device through a single Ethernet cable.

GV-PA301

Gigabit PoE Adapter



GV-PA301 is a Gigabit Power over Ethernet (PoE) adapter.

GV-PoE Switch

GV-POE Switch is designed to provide power along with network connection for IP devices. It is available in various models with different numbers and types of ports.

Power Adapter

Contact our sales representatives for the countries and areas supported.

### Mounting Type

Convex Corner Mount		Wall Mount Bracket	Pole Mount	Power Box Mount Bracket
GV-Mount300-2 + GV-Mount504	GV-Mount310-2 + GV-Mount504	GV-Mount504	GV-Mount440 + GV-Mount504	GV-Mount924