

DS-3WAP622E-SI Wi-Fi 6 3000M Ceiling Access Point



DS-3WAP622E-SI is an indoor 802.11ax AP product with dual-frequency four-flow design, which meets the wireless coverage requirements of small, medium and micro enterprises.

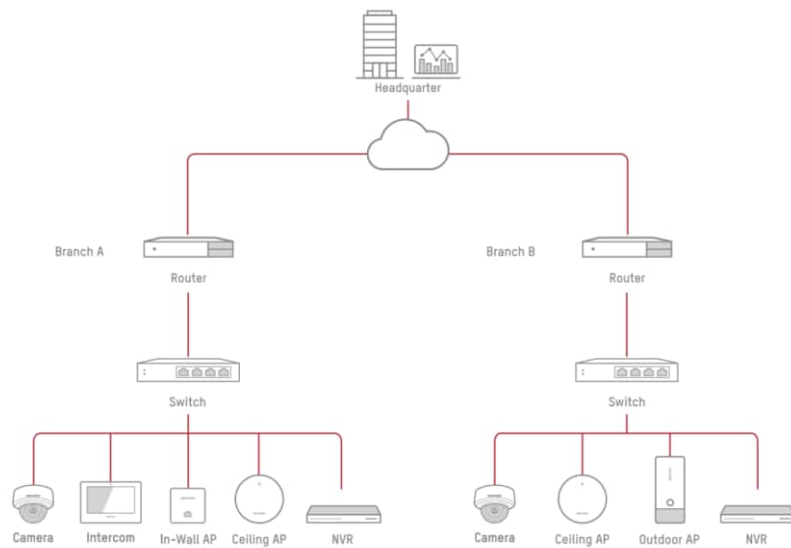
- 1 × 2.5 Gigabit Port with PoE Input
- 802.11ax Wi-Fi 6 2975 Mbps
- 100+ Concurrent User Connections
- Auto RF Optimization
- Support Intelligent Fast Roaming

▪ Specification

General	
Weight	0.38 kg (0.83 lb)
Installation Mode	Desk-Mounted,Wall-Mounted,Ceiling Mounting
Working Temperature	0 °C to 45 °C (32 °F to 113 °F)
Working Humidity	5% to 95% (no condensation)
Storage Temperature	-40 °C to 70 °C (-40 °F to 158 °F)
Storage Humidity	5% to 95% (no condensation)
Product Dimensions (W × H × D)	220 mm × 220 mm × 39 mm (8.66" × 8.66" × 1.53")
Packing List	3000 M Access Point ×1, Screw Pack × 1, Quick Start Guide ×1, Regulatory Compliance and Safety Information × 1
Power Consumption	Max. 13.5 W
WLAN Parameters	
Maximum Number of Clients	256
Recommended Number of Clients	100
Maximum Number of SSIDs	8
Working Frequency Band	radio 1: 5G(11a/n/ac/ax), radio 2: 2.4G(11b/g/n/ax)
Wi-Fi Standards	Wi-Fi 6
Wi-Fi Speed	2.4 GHz: 575 Mbps,5 GHz: 2400 Mbps
Spatial Streams	2.4 GHz, 2 × 2 , MU-MIMO, 5 GHz, 2 × 2 , MU-MIMO
Channel Width	2.4 GHz: Auto/20 /40 MHz,5 GHz: Auto/20 /40 /80/160 MHz
Number of Antennas	2.4GHz: 2; 5GHz: 2
Antenna Type	Built-in omnidirectional antennas
Antenna Gain	2.4 GHz: 3 dBi, 5 GHz: 4 dBi
Transmit Power	20 dBm
Modulation Technology	OFDM: BPSK@6/9Mbps, QPSK@12/18Mbps, 16-QAM@24Mbps, 64-QAM@48/54Mbps; DSSS: DBPSK@1Mbps, DQPSK@2Mbps, CCK@5.5/11Mbps; MIMO-OFDM (11n): MCS 0-15; MIMO-OFDM (11ac): MCS 0-9; MIMO-OFDM (11ax): MCS 0-11
Software Specifications	
WLAN Security	WAP-PSK,WAP2-PSK,WPA-WAP2-PSK,WAP3, Blocklist & Allowlist,Support Multiple encryption key triggered dynamic unicast/multicast key update,Support Open system/shared key authentication,Support wireless endpoint access,Support 802.11i,Support SSID and VLAN binding
Management & Maintenance	Centralized AC management
Version Upgrade	upgrade on AC Web
Hardware Specifications	
Interface	1 × 2.5 Gigabit RJ45 uplink port
Power Supply	IEEE 802.3af/at POE, 12 VDC 1.5 A
LED Indicator	Yellow/green/blue for different working states, flashing mode
Reset Button	Hardware Resetting Button
Approval	
EMC	CE-EMC (EN 55032: 2015+A11: 2020, EN IEC 61000-3-2: 2019, EN 61000-3-3: 2013+A1: 2019, EN 50130-4: 2011+A1: 2014, EN 55035: 2017+A11: 2020)

Safety	CB (AMD1:2009, AMD2:2013, IEC 62368-1: 2014 (Second Edition), CE-LVD (EN 62368-1: 2014+A11: 2017), UL (UL 60950-1)
Chemistry	CE-RoHS (2011/65/EU), WEEE (2012/19/EU), Reach (Regulation (EC) No.1907/2006)
Radio	EN 301 893, EN 300 440, EN 62311, EN 301 489-3, E N 301 489-17

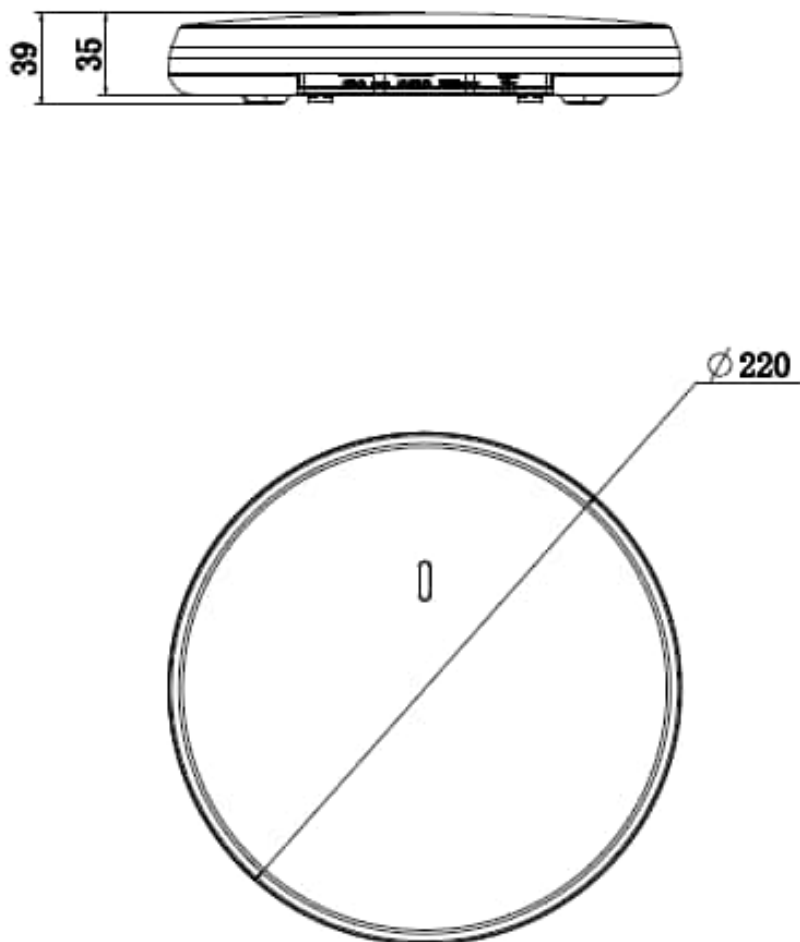
▪ **Typical Application**



▪ **Available Model**

DS-3WAP622E-SI

▪ Dimension



Headquarters

No.555 Qianmo Road, Binjiang District,
Hangzhou 310051, China
T +86-571-8807-5998
www.hikvision.com



Follow us on social media to get the latest product and solution information.



Hikvision



HikvisionHQ



HikvisionHQ



Hikvision_Global



Hikvision
Corporate Channel



hikvisionhq