

DS-2DE3A404IWG-E/W 4 MP 4 × IR Wi-Fi Network PTZ Camera



Hikvision DS-2DE3A404IWG-E/W 4MP 4× IR Wi-Fi Network PTZ Camera can be widely used in multiple indoor and outdoor scenes, such as the corridor, office, convenience store, and restaurant, etc.

- High quality imaging with 4 MP resolution
- Focuses on human and vehicle targets classification based on deep learning
- Excellent low-light performance via powered-by-DarkFighter technology
- Clear imaging against strong back lighting due to 120 dB WDR technology
- Pan and tilt ability enables camera to monitor zones of interest
- 4 × optical zoom allows for closer viewing of subjects in expansive areas
- Up to 50 m IR range ensures safety at night
- Wi-Fi connection and easy installation
- Support audio visual alarm

▪ Specification

Camera	
Image Sensor	1/2.8" progressive scan CMOS
Max. Resolution	2560 × 1440
Min. Illumination	Color: 0.005 Lux @(F1.5, AGC ON); B/W: 0.001 Lux @(F1.5, AGC ON); 0 Lux with IR
Shutter Speed	1 to 1/30,000 s
Day & Night	IR cut filter
Zoom	4 × optical, 16 × digital
Lens	
Focal Length	2.8 to 12 mm
FOV	Horizontal field of view: 96.7° to 31.6° (wide-tele) Vertical field of view: 51.1° to 17.7° (wide-tele) Diagonal field of view: 115.1° to 36.3° (wide-tele)
Focus	Auto, semi-auto, manual
Aperture	Max. F1.5
Zoom Speed	Approx. 2 s (optical lens, wide-tele)
Illuminator	
Supplement Light Range	IR distance: up to 50 m, white light distance: up to 6 m
Smart Supplement Light	Yes
PTZ	
Movement Range (Pan)	0° to 350°
Movement Range (Tilt)	0° to 90°
Pan Speed	Configurable, from 0.1°/s to 60°/s. Preset speed: 60°/s
Tilt Speed	Configurable, from 0.1°/s to 50°/s. Preset speed: 50°/s
Proportional Pan	Yes
Presets	300
Preset Freezing	Yes
Patrol Scan	8 patrols, up to 32 presets for each patrol
Park Action	Preset, Patrol Scan
3D Positioning	Yes
PTZ Status Display	Yes
Scheduled Task	Preset, Patrol Scan, dome reboot, dome adjust, aux output
Power-off Memory	Yes
Video	
Main Stream	50 Hz: 25 fps (2560 × 1440, 1920 × 1080, 1280 × 960, 1280 × 720) 60 Hz: 30 fps (2560 × 1440, 1920 × 1080, 1280 × 960, 1280 × 720)
Sub-Stream	50 Hz: 25 fps (704 × 576, 640 × 480, 352 × 288) 60 Hz: 30 fps (704 × 480, 640 × 480, 352 × 240)
Third Stream	50 Hz: 25 fps (1920 × 1080, 1280 × 960, 1280 × 720, 704 × 576, 640 × 480, 352 × 288) 60 Hz: 30 fps (1920 × 1080, 1280 × 960, 1280 × 720, 704 × 480, 640 × 480, 352 × 240)
Video Compression	Main Stream: H.265+/H.265/H.264+/H.264 Sub-stream: H.265/H.264/MJPEG Third Stream: H.265/H.264/MJPEG
Video Bit Rate	32 Kbps to 16 Mbps
H.264 Type	Baseline profile/main profile/high profile

H.265 Type	Main profile
Scalable Video Coding (SVC)	H.264 and H.265 encoding
Region of Interest (ROI)	8 fixed regions for each stream
Audio	
Audio Compression	G.711alaw/G.711ulaw/G.722.1/G.726/MP2L2/PCM
Audio Bit Rate	64 Kbps (G.711)/16 Kbps (G.722.1)/16 Kbps (G.726)/32 Kbps to 160 Kbps(MP2L2)
Network	
Protocols	IPv4/IPv6, HTTP, HTTPS, QoS, FTP, SMTP, UPnP, SNMP, DNS, DDNS, NTP, RTSP, RTCP, RTP, TCP/IP, DHCP, PPPoE, Bonjour
Simultaneous Live View	Up to 20 channels
API	ONVIF, ISAPI, SDK, ISUP
User/Host	Up to 32 users. 3 user levels, administrator, operator and user
Security	Password protection, complicated password, HTTPS encryption, watermark, IP address filter, basic and digest authentication for HTTP/HTTPS, RTP/RTSP over HTTPS, control timeout settings, security audit log, TLS 1.2, host authentication (MAC address)
Network Storage	NAS (NFS, SMB/CIFS), auto network replenishment (ANR)
Client	iVMS-4200, HikCentral, Hik-Connect *Wi-Fi connection with Hik-Connect directly is not possible.
Web Browser	IE10-11, Chrome 57.0+, Firefox 52.0+, Safari 12+
Wireless (Wi-Fi)	
Encryption Mode	64/128-bit WEP, WPA/WPA2, WPS
Wi-Fi Protocols	IEEE802.11b, 802.11g, 802.11n
Frequency Range	2.4 GHz - 2.4835 GHz
Channel Bandwidth	20/40MHz
Modulation	802.11b: CCK, DQPSK, DBPSK 802.11g: OFDM/64-QAM, 16-QAM, QPSK, BPSK 802.11n: OFDM/64-QAM, 16-QAM, QPSK, BPSK
Transfer Rate	802.11b: 11, 5.5, 2, 1 Mbps 802.11g: 54, 48, 36, 24, 18, 12, 9, 6 Mbps 802.11n: mcs0 - mcs7
Wireless Range	Up to 150 m (The performance varies based on actual environment)
Antenna	Built-in 2 antennas
Image	
Image Settings	Saturation, brightness, contrast, sharpness, gain, and white balance adjustable by client software or web browser
Wide Dynamic Range (WDR)	120 dB
Defog	Digital defog
Image Enhancement	BLC, HLC, 3D DNR
Privacy Mask	24 programmable polygon privacy masks, mask color configurable
Regional Focus	Yes
Regional Exposure	Yes
Interface	
Ethernet Interface	1 RJ45 10M/100M self-adaptive Ethernet port
On-board Storage	Built-in memory card slot, support microSD/microSDHC/microSDXC card, up to 256 GB
Built-in Microphone	1 built-in microphone
Built-in Speaker	1 built-in speaker, 8 Ω, 2 W. Max sound pressure level: 100 dB (10 cm)

Audio	1 input (line in), max. input amplitude: 2-2.4 vpp, input impedance: 1 K Ω \pm 10%; 1 output (line out), line level, output impedance: 600 Ω
Alarm	1 input, 1 output
Event	
Basic Event	Motion detection, video tampering alarm, exception (network disconnected, IP address conflict, illegal login, HDD full, HDD error), alarm input and output
Smart Event	Face detection, line crossing detection, intrusion detection, region entrance detection, region exiting detection, unattended baggage detection, object removal detection, audio exception detection
Alarm Linkage	Preset, Patrol Scan, Upload to FTP/memory card/NAS, notify surveillance center, send email, audible warning, Flashing Alarm
Deep Learning Function	
Perimeter Protection	Line crossing, intrusion, region entrance, region exiting Support alarm triggering by specified target types (human and vehicle)
General	
Power	12 VDC, 3.33 A & PoE (802.3at), 42.5 to 57 VDC, 0.6 A Max. 16 W (including max. 2.4 W for IR, 1.2 W for white light flashing)
Dimension	179.3 mm \times 120.5 mm \times 182 mm (7.06" \times 4.74" \times 7.17")
Weight	Approx. 1.125 kg (2.48 lb.)
Material	ADC12 + PC
Operating Condition	-30 $^{\circ}$ C to 65 $^{\circ}$ C (-22 $^{\circ}$ F to 149 $^{\circ}$ F). Humidity 90% or less (non-condensing)
Approval	
Protection	IP66 (IEC 60529-2013), TVS 6000V lightning protection, surge protection and voltage transient protection

▪ DORI

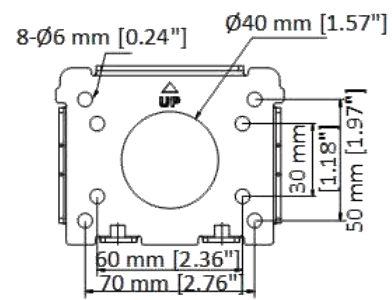
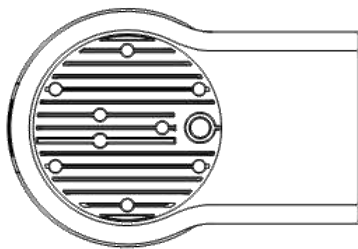
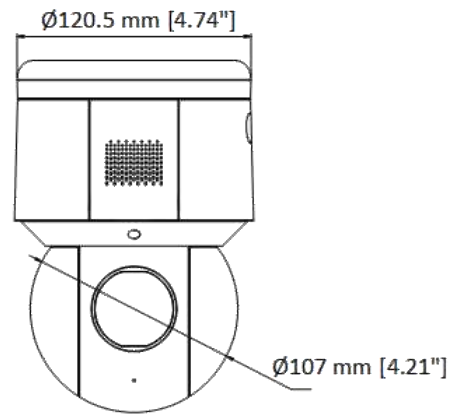
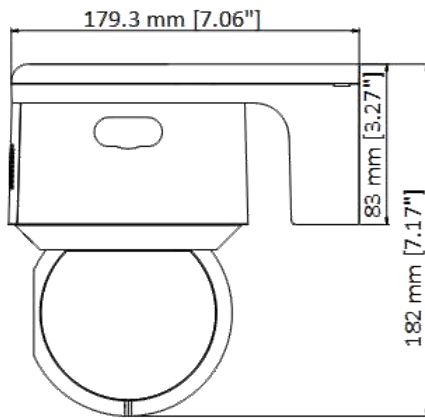
The DORI (detect, observe, recognize, identify) distance gives the general idea of the camera ability to distinguish persons or objects within its field of view. It is calculated based on the camera sensor specification and the criteria given by EN 62676-4: 2015.

DORI	Detect	Observe	Recognize	Identify
Definition	25 px/m	63 px/m	125 px/m	250 px/m
Distance (Tele)	180 m (590.5 ft)	71.4 m (234.2 ft)	36 m (118.1 ft)	18 m (59.1 ft)

▪ Available Model

DS-2DE3A404IWG-E/W

▪ Dimension



Headquarters

No.555 Qianmo Road, Binjiang District,
Hangzhou 310051, China
T +86-571-8807-5998
www.hikvision.com



Follow us on social media to get the latest product and solution information.

