

DS-2DP3D404IWG1-E/36 DP3A Mini PanoVu

Powered by

DarkFighter



Hikvision 4 × IR Network Speed Dome adopts 1/2.8" progressive scan CMOS chip. With the 4 × optical zoom lens, the camera offers more details over expansive areas.

This series of cameras can be widely used for wide ranges of high-definition.

Hikvision has been dedicated to develop products with security since established.

Hikvision always follows security by design principle and has adopted many methods of security technologies into our product development lifecycle, including terminal security, data security, application security, network security, and privacy protection. In the meantime, the security technologies used by Hikvision are all in compliance with local applicable laws and safety regulations. These security measures could enhance product's cyber security protection capability and protect your devices as well as your data from malicious cyber attacks.

- Captures a large area and great details at the same time
- High quality imaging with 4 MP resolution
- Excellent low-light performance with powered-by-DarkFighter technology
- Secures an expansive area with 4× optical zoom and 16× digital zoom
- Supports WDR, HLC, BLC, 3D DNR, defog, regional exposure, regional focus
- Supports 12V DC
- Support regional population statistics function, which can enable regional population statistics for panoramic 1 stream + detail 1 stream

▪ Specification

Camera	
Image Sensor	[Panoramic channel] 1/2.8" Progressive Scan CMOS, [PTZ channel] 1/3" Progressive Scan CMOS
Min. Illumination	[Panoramic channel] Color: 0.03 Lux @ (F2.3, AGC ON), B/W: 0.01 Lux @ (F2.3, AGC ON), 0 Lux with IR, [PTZ channel] Color: 0.02 Lux @ (F1.82, AGC ON), B/W: 0.01 Lux @ (F1.82, AGC ON), 0 lux with IR
Shutter Speed	1/30 s to 1/30,000 s
Slow Shutter	yes
Day & Night	ICR
Zoom	[PTZ channel] 4 × optical, 16 × digital
Max. Resolution	[Panoramic channel] 1920 × 1080, [PTZ channel] 2560 × 1440
Lens	
Focus	Auto, semi-auto, manual
Focal Length	[Panoramic channel] 2 mm, [PTZ channel] 2.8 to 12 mm
Zoom Speed	[PTZ channel]: approx. 3.3 s
FOV	[Panoramic channel] horizontal field of view: 125.3°, vertical field of view: 73.2°, diagonal field of view: 143.1°, [PTZ channel] horizontal field of view: 93.2° to 48.6°, vertical field of view: 50.3° to 27.3°, diagonal field of view: 109.7° to 55.8°
Aperture	[Panoramic channel] Max. F2.3, [PTZ channel] Max. F1.82
Illuminator	
Supplement Light Type	IR
Supplement Light Range	IR distance: up to 20 m
PTZ	
Movement Range (Pan)	[PTZ channel] 0° to 340°
Movement Range (Tilt)	[PTZ channel] 0° to 90°
Pan Speed	Pan speed: configurable from 0.1° to 35°/s, preset speed: 35°/s
Tilt Speed	tilt speed: configurable from 0.1° to 30°/s, preset speed 30°/s
Proportional Pan	Yes
Presets	300
Power-off Memory	Yes
Park Action	Preset
3D Positioning	Yes
PTZ Status Display	Yes
Preset Freezing	Yes
Scheduled Task	Preset, dome reboot, dome adjust

Video	
Main Stream	[PTZ channel] Channel 1: 50 Hz: 25 fps (1920 × 1080,1280 × 960,1280 × 720), 60 Hz: 30 fps (1920 × 1080,1280 × 960,1280 × 720) [Panoramic channel] Channel 2, 3, 4: 50 Hz: 25 fps (2560 × 1440,1920 × 1080,1280 × 960,1280 × 720), 60 Hz: 30 fps (2560 × 1440,1920 × 1080,1280 × 960,1280 × 720)
Sub-Stream	[Panoramic channel] 50 Hz:25 fps(1920 × 1080,1280 × 960,1280 × 720,704 × 576,640 × 480,352 × 288) 60 Hz:30 fps(1920 × 1080,1280 × 960,1280 × 720,704 × 480,640 × 480,352 × 240) [PTZ channel] 50 Hz:25 fps(1920 × 1080,1280 × 960,1280 × 720,704 × 576,640 × 480,352 × 288) 60 Hz:30 fps(1920 × 1080,1280 × 960,1280 × 720,704 × 480,640 × 480,352 × 240)
Third Stream	[Panoramic channel] 50 Hz: 25 fps (1920 × 1080, 1280 × 960, 1280 × 720, 704 × 576, 640 × 480, 352 × 288) 60 Hz: 30 fps (1920 × 1080, 1280 × 960, 1280 × 720, 704 × 576, 640 × 480, 352 × 288) 50 Hz: [PTZ channel] 50 Hz: 25 fps (1920 × 1080, 1280 × 960, 1280 × 720, 704 × 576, 640 × 480, 352 × 288) 60 Hz: 30 fps (1920 × 1080, 1280 × 960, 1280 × 720, 704 × 576, 640 × 480, 352 × 288)
Region of Interest (ROI)	8 fixed regions for main stream
Video Bit Rate	32 Kbps to 16384 Mbps
H.264 Type	Baseline profile,Main profile,High profile
H.265 Type	Main profile
Video Compression	H.265, H.264, MJPEG
Scalable Video Coding (SVC)	Yes
Audio	
Audio Compression	G.711,G.722.1,G.726,MP2L2,PCM,MP3,AAC
Audio Bit Rate	8~320 Kbps(MP3)/16 Kbps(G.726)/16 Kbps(G.722.1)/32~192 Kbps(MP2L2)/16~64 Kbps(AAC-LC)/PCM/64 Kbps(G.711ulaw/G.711alaw)
Audio Sampling Rate	32kHz/16kHz/48kHz/8kHz
Environment Noise Filtering	Yes
Network	
API	ONVIF (Profile S, Profile G, Profile T),ISAPI,SDK,ISUP
Network Storage	NAS (NFS, SMB/CIFS)
Protocols	TCP/IP,ICMP,HTTP,HTTPS,FTP,DHCP,DNS,DDNS,RTP,RTCP,RTSP,NTP,UPnP,SMTP,SNMP,IGMP,QoS,UDP,Bonjour,SSL/TLS,WebSocket,WebSockets
Simultaneous Live View	Up to 20 channels
User/Host	Up to 32 users. 3 user levels: administrator, operator, and user
Security	Password protection,complicated password,HTTPS encryption,802.1X authentication (EAP-TLS, EAP-LEAP, EAP-MD5),watermark,IP address filter,basic and digest authentication for HTTP/HTTPS,WSSE and digest authentication for Open Network Video Interface, RTP/RTSP over HTTPS,control timeout settings,security audit log
Client	iVMS-4200
Web Browser	IE8+, Chrome31 to 44, Firefox 30 to 51, Safari8.0+

Image	
Image Settings	sharpness, saturation, brightness, contrast
Wide Dynamic Range (WDR)	120 dB
SNR	≥ 52 dB
Defog	Digital defog
Day/Night Switch	Day,night,auto,schedule
Image Enhancement	BLC,HLC,3D DNR
Privacy Mask	[Panoramic channel] 24 programmable polygon privacy masks, [PTZ channel] 24 programmable polygon privacy masks
Regional Focus	[Panoramic channel] No, [PTZ channel] Yes
Regional Exposure	Yes
Image Parameters Switch	Yes
Interface	
Built-in Microphone	1 built-in microphone
Built-in Speaker	1 built-in speaker
Audio	1 input (line in), max. input amplitude: 2-2.4 vpp, input impedance: 1 KΩ ± 10%, 1 output (line out), line level, output impedance: 600 Ω
RS-485	No
Ethernet Interface	RJ45, self-adaptive 10M/100M Ethernet port
On-board Storage	Built-in memory card slot, support Micro SD/SDHC/SDXC, up to 512 GB
Reset	yes
Event	
Basic Event	Motion detection,video tampering alarm,exception (network disconnected, IP address conflict, illegal login, HDD full, HDD error)
Smart Event	Line crossing detection,intrusion detection,region entrance detection,region exiting detection,audio exception detection
Linkage	[Panoramic channel] Upload to FTP/NAS/memory card, notify surveillance center, send email, trigger alarm output, and trigger recording, [PTZ channel] Upload to FTP/NAS/memory card, notify surveillance center, send email, trigger alarm output, trigger recording, and PTZ actions (such as preset, patrol scan, pattern scan)
General	
General Function	mirror,watermark,IP address filter,password protection
Power	DC 12V 2A , PoE(802.3at) 42.5-57V 0.6A
Operating Condition	-10 °C to 50 °C (14 °F to 122 °F). Humidity 90% or less (non-condensing)
Material	PC
Dimension	Ø183.2 mm × 128.6 mm (Ø7.2" × 5.2")
Weight	Approx. 0.9 kg (1.98 lb.)
Approval	
Protection	IP54 (IEC 60529-2013)

▪ DORI

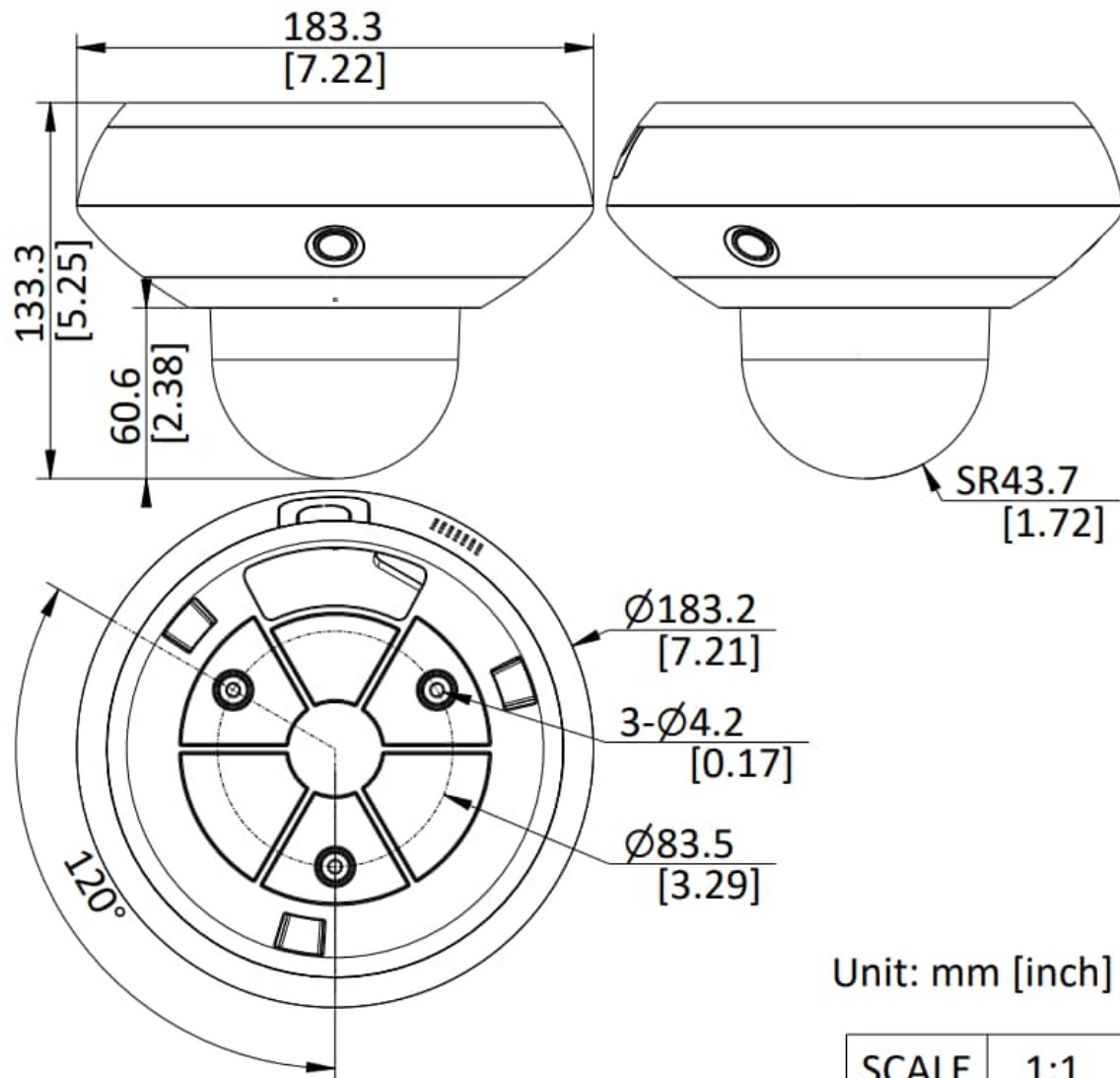
The DORI (detect, observe, recognize, identify) distance gives the general idea of the camera ability to distinguish persons or objects within its field of view. It is calculated based on the camera sensor specification and the criteria given by EN 62676-4: 2015.

DORI	Detect	Observe	Recognize	Identify
Distance (Tele)	120.8 m (396.3 ft)	47.9 m (157.1 ft)	24.2 m (79.4 ft)	12.1 m (39.7 ft)

▪ Available Model

DS-2DP3D404IWG1-E/36(F5)

▪ Dimension



Unit: mm [inch]

SCALE	1:1
-------	-----

▪ Accessory

▪ Optional

DS-1294ZJ-TRL	DS-1271ZJ-PT10
	

See Far, Go Further



www.hikvision.com
support@hikvision.com

