

35 SERIES

HC35WP5B

(HA35P2L28 / HA35P5L37 / HA35P5F12)



Split Pin-Hole Camera Base + Lens

5 YEAR
WARRANTY

ONVIF | **SGTM**

OPERATIONAL	
RAM	2 x 4 Gigabits DDR3
Flash	2 Gigabits
Video Standard	NTSC/PAL
Scanning System	Progressive
Image Sensor	1/2.8" CMOS
Sensor Size (H x V)	5.216 mm x 3.968 mm
Number of Pixels (H x V)	HA35P2L28: 1920x1080 (2 MP) HA35P5L37: 2592x1944 (5 MP) HA35P5F12: 2592x1944 (5 MP)
Minimum Illumination	HA35P2L28: 0.008 Lux @ (F2.0, 30 IRE) HA35P5L37: 0.009 Lux @ (F2.4, 30 IRE) HA35P5F12: 0.008 Lux @ (F2.0, 30 IRE)
S/N Ratio	50 dB
Electronic Shutter Speed	1/8 to 1/100,000s
Day/Night	Auto/Day/Night/Time
Backlight Compensation	WDR, BLC, HLC
White Balance	Auto/ Tungsten/ Fluorescent/ Daylight/ Shadow/ Manual
Gain Control	0 ~ 100 %
Wide Dynamic Range	Up to 120 dB
Noise Reduction	2D/3D DNR
Lens	HA35P2L28: Lens, 2.8 mm, Fixed Iris, F2.0 HA35P5L37: Lens 3.7mm, Fixed Iris, F2.4 HA35P5F12: Fisheye Lens 1.22 mm , Fixed Iris, F2.0
Angle of View (H x V)	HA35P2L28: 2M Mode LDC off: H:94.3°, V:53.2° 2M Mode LDC on (50%): H:87.5°, V:52.9° 2M Mode LDC on (100%): H:79.6°, V:52.7° 1M Mode LDC off: H:44.7°, V:24.9° 1M Mode LDC on (50%): H:41.6°, V:24.7° 1M Mode LDC on (100%): H:38°, V:24.7° HA35P5L37: 5M Mode LDC off: H:75.3°, V:52.5° 5M Mode LDC on (50%): H:71.3°, V:52.3° 5M Mode LDC on (100%): H:65.9°, V:51.4° 4M Mode LDC off: H:73.9°, V:37.8° 4M Mode LDC on (50%): H:67.4°, V:37.5° 4M Mode LDC on (100%): H:61.6°, V:37.4° HA35P5F12: 5M Mode Fisheye Correction Off: 193.9° 5M Mode Fisheye Correction On: H:167.6°, V:129.0° 2M Mode Fisheye Correction Off: 193.9° 2M Mode Fisheye Correction On: H:167.6°, V:97.5°
Privacy Masking	Off/On (4 Areas)
Defog	Supported
Local Storage	Micro SD (up to 1 TB)
Alarm Inputs/Outputs	1 Ch Input, 1 Ch Output

VIDEO				
Video Compression	H.265 HEVC/H.264/MJPEG, Smart Codec			
Resolution HA35P2L28	2 MP Mode	PAL		NTSC
		LDC On/Off		LDC On/Off
	Stream 1	1920 x 1080, 1280 x 720 @25fps		1920 x 1080, 1280 x 720 @30fps
	Stream 2	704 x 576/640 x 480/352 x 288 @25fps		704 x 480/640 x 480/352 x 240 @30fps
	Stream 3	1920 x 1080/640 x 480/352 x 288/320 x 240 @25fps		1920 x 1080/640 x 480/352 x 240/320 x 240 @30fps
	1 MP Mode	PAL		NTSC
	LDC On	LDC Off	LDC On	LDC Off
Stream 1	1280 x 720 @150fps	1280 x 720 @180fps	1280 x 720 @150fps	1280 x 720 @180fps
Stream 2	704 x 576/640 x 480/352 x 288 @25fps		704 x 480/640 x 480/352 x 240 @30fps	
Stream 3	640 x 480/352 x 288/320 x 240 @25fps		640 x 480/352 x 240/320 x 240 @30fps	
Resolution HA35P5L37	5 MP Mode	PAL		NTSC
		LDC On/Off		LDC On/Off
	Stream 1	2592 x 1944, 2560 x 1440, 2304 x 1296, 1920 x 1080, 1280 x 720 @25fps		2592 x 1944, 2560 x 1440, 2304 x 1296, 1920 x 1080, 1280 x 720 @30fps
	Stream 2	704 x 576, 640 x 480 @25fps		704 x 480/640 x 480 @30fps
	Stream 3	1920 x 1080/640 x 480/352 x 288/320 x 240 @25fps		1920 x 1080/640 x 480/352 x 240/320 x 240 @30fps
	4 MP Mode	PAL		NTSC
	LDC On/Off		LDC On	LDC Off
Stream 1	2560 x 1440, 2304 x 1296, 1920 x 1080, 1280 x 720 @50fps		2560 x 1440, 2304 x 1296, 1920 x 1080, 1280 x 720 @60fps	2560 x 1440, 2304 x 1296, 1920 x 1080, 1280 x 720 @60fps
Stream 2	704 x 576/640 x 480/352 x 288 @25fps		704 x 480/640 x 480/352 x 240 @30fps	
Stream 3	1920 x 1080/640 x 480/352 x 288/320 x 240 @25fps		1920 x 1080/640 x 480/352 x 240/320 x 240 @30fps	
Resolution HA35P5F12	5 MP Mode	PAL		NTSC
	Stream 1	2592 x 1944, 2048 x 1536, 1600 x 1200 @25fps		2592 x 1944, 2048 x 1536, 1600 x 1200 @30fps
	Stream 2	704 x 576, 640 x 480 @25fps		704 x 480, 640 x 480 @30fps
	Stream 3	1600 x 1200, 704 x 576, 640 x 480 @25fps		1600 x 1200, 704 x 480, 640 x 480 @30fps
	2 MP Mode	PAL		NTSC
	Stream 1	1600 x 1200, 1920 x 1080, 1280 x 720 @50fps		1600 x 1200, 1920 x 1080, 1280 x 720 @60fps
Stream 2	704 x 576, 640 x 480 @25fps		704 x 480, 640 x 480 @30fps	
Stream 3	1600 x 1200, 704 x 576, 640 x 480 @25fps		1600 x 1200, 704 x 480, 640 x 480 @30fps	



Honeywell

35 SERIES SPLIT PIN-HOLE CAMERA BASE + LENS

VIDEO	
Number of Video Streams	3 (2 for encryption)
Frame Rate Main Stream	HA35P2L28: 2MP mode: max 30fps (LDC on and off), max 15fps for https 1MP mode: max 150fps (LDC on)/180fps (LDC off), max 15fps for https, HA35P5L37: 5MP mode: max 30fps (LDC on and off), max 15fps for https 4MP mode: max 50fps (LDC on)/60fps(LDC off), max 15fps for https HA35P5F12: 5MP mode: max 30fps (dewarp and undewarped), max 15fps (dewarp and undewarped) for https 2MP mode: max 60fps (dewarp and undewarped), max 15fps (dewarp and undewarped) for https
Frame Rate Second Stream	MAX 30fps for all resolution MAX 15fps for encryption under https
Frame Rate Third Stream	MAX 30fps (Not available for encryption)
Bit Rate HA35P2L28	Stream 1: 1920 x 1080 @25/30fps 500kbps-1200kbps 1280 x 720 @25/30fps 200kbps-800kbps 1280 x 720 @150/180fps 500kbps-2000kbps Stream 2: 704 x 576(PAL)/704 x 480(NTSC) @25/30fps 100kbps-6000kbps 640 x 480 @ 25/30fps 100kbps-3000kbps 352 x 288(PAL)/352 x 240(NTSC) @25/30fps 100kbps-1500kbps Stream 3: 1920 x 1080 @25/30fps 500kbps-1200kbps 640 x 480 @ 25/30fps 100kbps-3000kbps 352 x 288(PAL)/352 x 240(NTSC), 320 x 240 @25/30fps 100kbps-1500kbps
Bit Rate HA35P5L37	Stream 1: 2592 x 1944 @25/30fps, 2560 x 1440, 2304 x 1296, 1920 x 1080 @25/30/50/60fps 500kbps-12000kbps 1280 x 720 @25/30/50/60fps 200kbps-8000kbps Stream 2: 704 x 576(PAL)/704 x 480(NTSC) @25/30fps 100kbps-6000kbps 640 x 480 @ 25/30fps 100kbps-3000kbps 352 x 288(PAL)/352 x 240(NTSC) @25/30fps 100kbps-1500kbps Stream 3: 1920 x 1080 @25/30fps 500kbps-12000kbps 640 x 480 @ 25/30fps 100kbps-3000kbps 352 x 288(PAL)/352 x 240(NTSC), 320 x 240 @25/30fps 100kbps-1500kbps
Bit Rate HA35P5F12	Stream 1: 2592 x 1944, 2048 x 1536, 1600 x 1200, 2560 x 1440, 2304 x 1296, 1920 x 1080 @25/30fps 500kbps-12000kbps 1280 x 720 @25/30fps 200kbps-8000kbps Stream 2: 704 x 576(PAL)/704 x 480(NTSC) @25/30fps 100kbps-6000kbps 640 x 480 @ 25/30fps 100kbps-3000kbps Stream 3: 1600 x 1200, 1920 x 1080 @25/30fps 500kbps-12000kbps 704 x 576(PAL)/704 x 480(NTSC) @25/30fps 100kbps-6000kbps 640 x 480 @ 25/30fps 100kbps-3000kbps 352 x 288(PAL)/352 x 240(NTSC), 320 x 240 @25/30fps 100kbps-1500kbps
Analog Output Support	CVBS
AUDIO	
Audio Compression	G.711 a/ G.711 Mu
Audio Stream	2-Way, Full duplex
Audio Interface	1Ch Input, 1Ch Output
NETWORK	
Ethernet	10 Base-T/100 Base-TX Ethernet (RJ-45)
Supported Web Browsers	Chrome/Edge
Supported OS	Microsoft Windows 10/11
Protocols*	IPv4, IPv6, TCP / IP, HTTP, HTTPS, RTSP / RTP / RTCP, IGMP / Multicast, SMTP, DHCP, NTP, DNS, QoS, SNMP, 802.1X, UDP, ICMP, ARP, TLS, FTP/SFTP, DDNS
Interoperability	ONVIF Profile G/S/T/M
Maximum Users Access	10 Users
Security	User account and password protection, HTTPS, IP Filter, Digest authentication, TLS1.2&1.3, Stream encryption, AES128 / 256, SSH / Telnet closed, PCI-DSS compliance
Secure Boot	Supported
Languages Supported	Arabic, Czech, Dutch, English, French, German, Italian, Japanese, Korean, Polish, Portuguese (Brazil), Spanish, Turkish, Traditional Chinese

EVENTS/ANALYTICS	
Video Analytics	HA35P2L28: 720P 150/180fps mode supports Motion Detection only Other modes: Motion Detection, Smart Motion, Scene Change, Intrusion, Multi Loitering, People Counter, Face Detection, Line Crossing Detection HA35P5L37: Motion Detection, Smart Motion, Scene Change, Intrusion, Multi Loitering, People Counter, Face Detection, Line Crossing Detection HA35P5F12: Motion Detection, Smart Motion, Scene Change, Intrusion, Multi Loitering, People Counter, Face Detection, Line Crossing Detection
Event Type	Video Motion Detection, Alarm Input, Recording Notification, Tampering, Audio Detection
Event Linkage	Event notification, Email and MicroSD card
Region of Interest	8

ELECTRICAL	
Power Supply	DC12 V, 1A; (-15% to +25%)/PoE (IEEE 802.3af) PoE 44~57V, 350mA
Power Consumption (Max)	Max 5W
Power Output	DC12V output

MECHANICAL	
Dimensions	HA35P2L28: Camera lens: 34.7 x 22 x 22 mm (1.37" x 0.87" x 0.87") Lens cable length: 2000±35 mm (78.74"±1.38") Main body With Bracket: 86.0 x 75.1 x 33.5 mm (3.39" x 2.96" x 1.32") HA35P5L37: Camera lens: 27.5 x 22 x 22 mm (1.08" x 0.87" x 0.87") Lens cable length: 2000±35 mm (78.74"±1.38") Main body With Bracket: 86.0 x 75.1 x 33.5 mm (3.39" x 2.96" x 1.32") HA35P5F12: Camera lens: 36.6 x 22 x 22 mm (1.44" x 0.87" x 0.87") Lens cable length: 2000±35 mm (78.74"±1.38") Main body With Bracket: 86.0 x 75.1 x 33.5 mm (3.39" x 2.96" x 1.32")
Package Dimensions (D x D x H)	170 x 125 x 60 mm (6.69" x 4.92" x 2.36")
Product Weight	HC35WP5B: 0.131 kg (0.289 lb) HA35P2L28: 0.131 kg (0.289 lb) HA35P5L37: 0.127 kg (0.28 lb) HA35P5F12: 0.135 kg (0.298 lb)
Package Weight	HC35WP5B: 0.227 kg (0.5 lb) HA35P2L28: 0.248 kg (0.547 lb) HA35P5L37: 0.245 kg (0.54 lb) HA35P5F12: 0.251 kg (0.553 lb)
Body Material	Metal + Plastic
Color	Black

ENVIRONMENTAL	
Operating Temperature	-30 °C ~ 55 °C (-22 °F ~ 131 °F)
Relative Humidity	Less than 90 %, non-condensing

REGULATORY	
Emissions	FCC PART 15, CE(EN55032), Complies with RCM and UKCA
Immunity	CE(EN 50130-4, EN 55035), Complies with RCM and UKCA
Safety	UL LISTED TO UL/CSA 62368-1, CE(EN 62368-1), Complies with RCM and UKCA
RoHS	CE(EN 63000), UAE (Cabinet Decree No.10 of 2017)
Country of Origin	Vietnam
Warranty	5 year

* Some development may be required in specific user cases to support some of these protocols in the field as they mature over time.

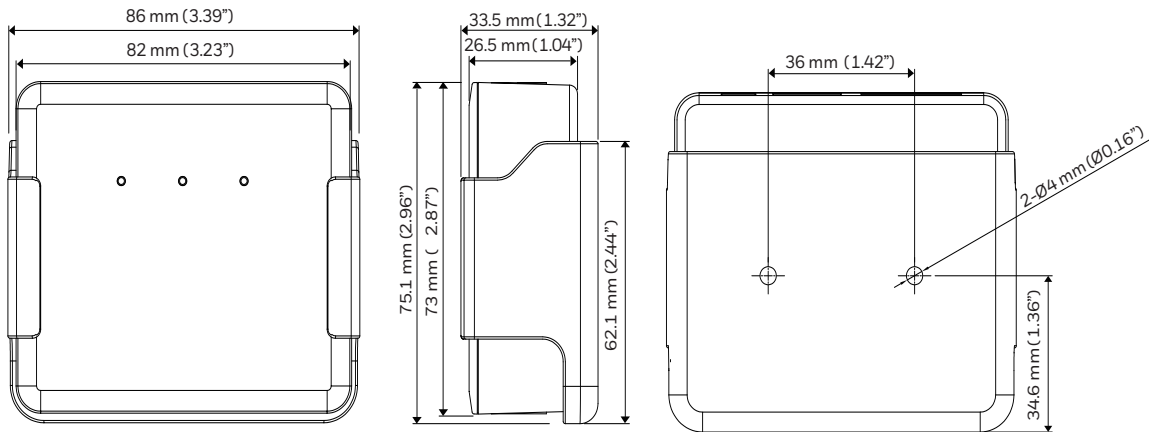
35 SERIES SPLIT PIN-HOLE CAMERA BASE + LENS

DORI (EN62676-4 STANDARD)

Detect	HC35WP5B + HA35P5F12: 33 m (108.27 ft)
	HC35WP5B + HA35P2L28: 46 m (150.92 ft)
	HC35WP5B + HA35P5L37: 87 m (285.43 ft)
Observe	HC35WP5B + HA35P5F12: 13.2 m (43.31 ft)
	HC35WP5B + HA35P2L28: 18.4 m (60.37 ft)
	HC35WP5B + HA35P5L37: 34.8 m (114.17 ft)
Recognize	HC35WP5B + HA35P5F12: 6.6 m (21.65 ft)
	HC35WP5B + HA35P2L28: 9.2 m (30.18 ft)
	HC35WP5B + HA35P5L37: 17.4 m (57.09 ft)
Identify	HC35WP5B + HA35P5F12: 3.3 m (10.83 ft)
	HC35WP5B + HA35P2L28: 4.6 m (15.09 ft)
	HC35WP5B + HA35P5L37: 8.7 m (28.54 ft)

DIMENSIONS

Split Pin-hole Base: HC35WP5B



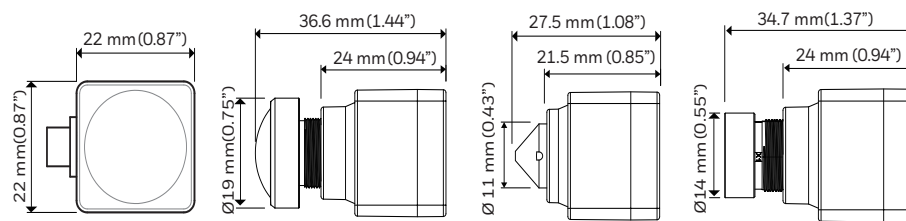
Split Pin-hole Lens:

HA35Pxxxx

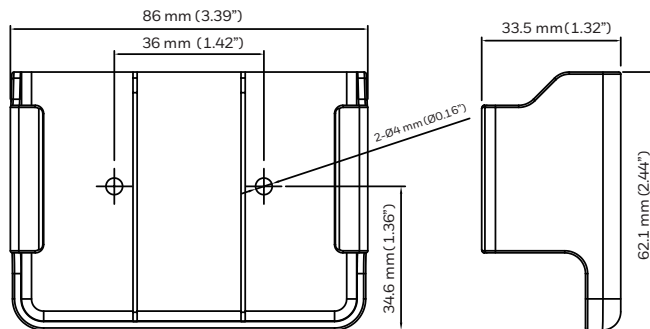
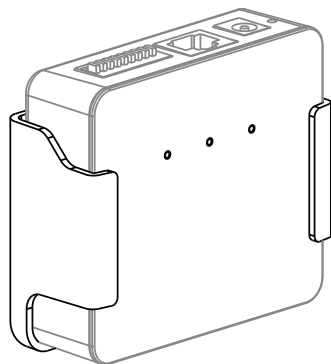
HA35P5F12

HA35P5L37

HA35P2L28

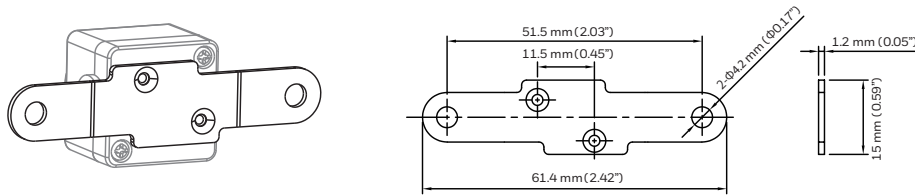


Base Bracket

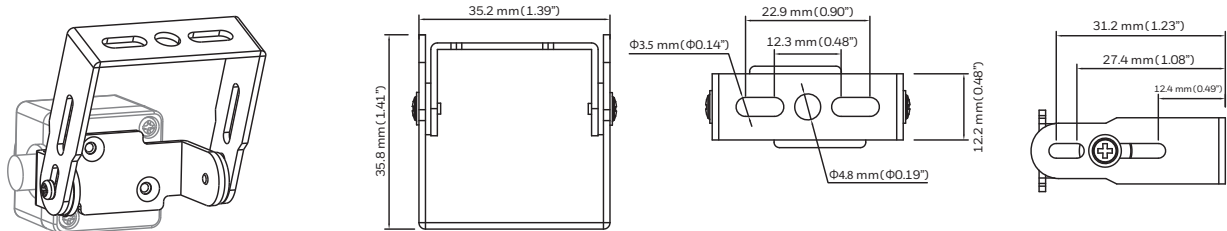


35 SERIES SPLIT PIN-HOLE CAMERA BASE + LENS

Lens Bracket Option 1



Lens Bracket Option 2



SYSTEM COMPATIBILITY

SYSTEM COMPATIBILITY	
MAXPRO NVR HE	Up to 256 IP channels RAID5/6 enterprise NVR
MAXPRO NVR PE	Up to 192 IP channels RAID5/6 enterprise NVR
MAXPRO NVR SE	Up to 96 IP channels system NVR
MAXPRO NVR XE	Up to 24 IP channels system NVR
MAXPRO NVR Software	Up to 256 IP channels recording software
ADPRO NVR IFT-E	Up to 32 IP channels with up to 32 VA channels NVRs
ADPRO NVR IFT	Up to 32 IP channels or 16 IP channels with up to 16 VA channels NVRs
ADPRO NVR EFT-S	Up to 16 IP channels or 8 IP channels with up to 8 VA channels NVRs
ADPRO NVR iFT Gateway	4 IP channels + 4 VA channels
Honeywell DVM	Supported with Honeywell DVM 800
35 Series NVR	4/8/16/32/64-channel 35 series NVRs

ORDERING

ORDERING	
HC35WP5B	35 Series split pin-hole IP base, must be used with Honeywell split pin-hole lens HA35P2L28/HA35P5L37/HA35P5F12
HA35P2L28	35 Series split pin-hole lens 2 MP 2.8 mm, must be used with Honeywell split pin-hole base HC35WP5B
HA35P5L37	35 Series split pin-hole lens 5 MP 3.7 mm, must be used with Honeywell split pin-hole base HC35WP5B
HA35P5F12	35 Series split pin-hole fisheye lens 5 MP 1.22 mm, must be used with Honeywell split pin-hole base HC35WP5B



For more information

buildings.honeywell.com/security

Honeywell Commercial Security

715 Peachtree St. NE

Atlanta, GA 30308

1.800.323.4576

www.honeywell.com

ONVIF and the ONVIF logo are trademarks of ONVIF Inc.
HEVC Advance logo is a trademark of HEVC Advance.
Honeywell reserves the right, without notification, to make changes in product design or specifications.

HBA-SEC-35S-HC35WP5B-DS-US-EN-01-2025-V01-Y
© 2025 Honeywell International Inc.

Honeywell