

Face recognition terminal is a kind of access control device. It can be widely applied in multiple scenarios, such as enterprises, stations, dwellings, factories, schools, campus and so on.

- 7-inch LCD touch screen, 2 Mega pixel wide-angle lens
- Recognition distance: 0.3 to 3 m
- Face recognition duration □ 0.2 s/User
- Face recognition accuracy rate ≥ 99%
- Built-in M1 card, Felica card, and DESfire card reading module (Presents card on the screen to authenticate)
- Face mask detection
- 10,000 face capacity, 10,000 fingerprint capacity (With fingerprint module), 50,000 card capacity, and 150,000 event capacity
- Supports ISAPI, ISUP 5.0, TCP/IP (IPv4 and IPv6) Supports Push SDK. Supports the following SIP servers: ASTERISK, 3CX, ELASTIX, miniSipServer, Brekeke, OpenSIPs, Kamailio. Supports face duplicate check, preventing multiple people from using the same face. Supports attendance-only function. Supports customized Wiegand parameters.
- Supports single person and multiple people (Up to 5 people) recognition

■ Specification

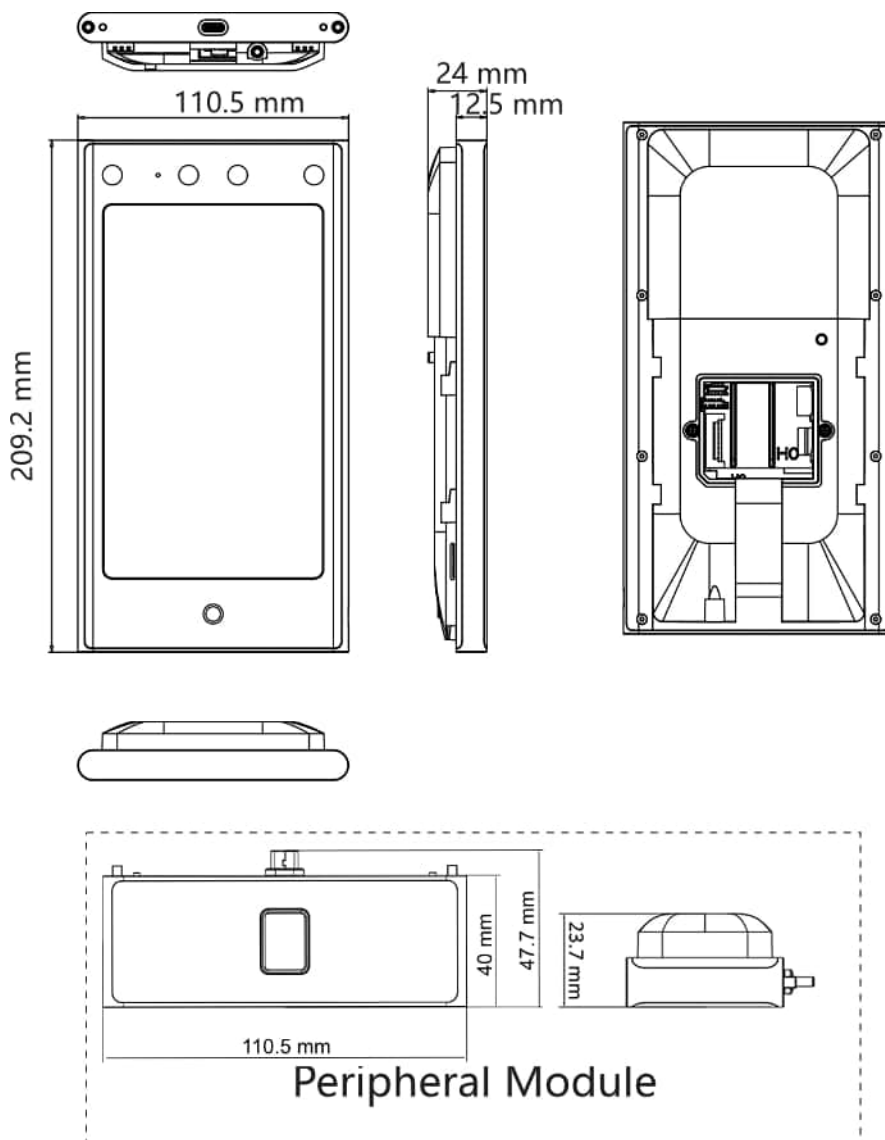
System	
Operating system	Linux
Display	
Screen size	7 inch
Operation method	Capacitive touch screen
Type	IPS
Resolution	600 × 1024
Video	
Lens	2
Resolution	2 MP
Video standard	PAL (Default)/NTSC
Audio	
Audio quality	Built-in omnidirectional microphone
Network	
Wired network	Support
Wi-Fi	Support, 2.4 G, 802.11b/g/n
Interface	
Network interface	1 RJ-45, 10/100/1000 M self-adaptive
Lock control	1
Exit button	1
Door contact input	1
Alarm input	2
Alarm output	1
TAMPER	1
RS-485	1 RS-485. Supports OSDP protocol version V2.1.7, Baud 9600, 19200, 38400
Wiegand	1 Wiegand(Hik 26bit,Hik 34bit)
USB	1 (For Module)
Audio output interface	1 (3.5 mm)
PoE	Support
Capacity	
Face capacity	10,000
Fingerprint capacity	10,000 (With fingerprint module)
Card capacity	50,000
Event capacity	150,000
Authentication	
Face recognition distance	0.3 to 3 m
Face recognition accuracy rate	≥ 99%
Face recognition duration	□ 0.2 s per person
Card type	M1 card,DESfire card,Felica card
General	
Power supply	12 VDC to 24 VDC, 2 A
Working temperature	-30 °C to 60 °C (-22 °F to 140 °F)
Working humidity	0 to 90% (no condensing)
Protective level	IP65
Dimensions	110.5 mm × 209.2 mm × 24 mm (4.35" × 8.24" × 0.94")
Weight	Gross Weight□1.06 kg (2.34 lb)
	Net Weight□0.57 kg (1.26 lb)
Language	English, Spanish (South America), Arabic, Thai, Indonesian, Russian, Vietnamese, Brazilian Portuguese, Japanese, Korean, Chinese Traditional, French, Turkish, Kazakh and Uzbek.
Power Output	DC 12 V, 0.5 A
Function	
Face anti-spoofing	Support



Available Model

DS-K1T673DWX-E1






Dimension



Accessory

Optional

DS-KAB673-S1	DS-KAB6-ZU2	DS-KAB673-FBQR	DS-KAB673-B	DS-KAB673-FB
DS-KAB6-ZU1	DS-KAB673-BQR	DS-KAB673-EDB	DS-KAB673-P	DS-KAB673-A

				
DS-KAB6-D1	DS-KAB6-W1	DS-KAB6-ZU3		
