



AXIS TX1901 Washer Kit

For Axis explosion-protected cameras

This all-in-one washer kit includes everything needed to clean the front window of compatible Axis explosion-protected cameras. It comes with a 10-liter (2.6 gallon) tank for fluid, enclosed in a marine-grade, stainless-steel cabinet. And the lid opens from the top for convenient access. There's also a 25 m (82 ft) hose, which is connected to the solenoid valve installed into the base of the camera. And it includes wall and pole mounts. It's easy to start cleaning the camera window. Simply click a button in the user interface or create an automated action and schedule cleaning depending on your needs.

- > [Stainless steel washer solution](#)
- > [ATEX/IECEx/MET certified](#)
- > [No external wiring needed](#)
- > [10-liter \(2.6-gallon\) capacity](#)
- > [Wall and pole mount included](#)



AXIS TX1901 Washer Kit

Approvals

Supply chain

TAA compliant

EMC

EN 61000-6-2, EN 61000-6-4

Safety

CAN/CSA C22.2 No. 62368-1 ed. 3,
IEC/EN/UL 62368-1 ed. 3, IEC/EN/UL 60950-22, UL 429

Environment

IEC 60068-2-6, IEC 60068-2-27,
IEC/EN 60529 IP66/67/68, IEC/EN 62262 IK10,
NEMA 250 Type 4X

Explosion

IEC/EN 60079-0, IEC/EN 60079-1, IEC/EN 60079-31

Certifications

Solenoid valve:¹²

ATEX

I M2 Ex db I Mb

II 2 G Ex db IIC T4 Gb

II 2 D Ex tb IIIC T135°C Db

Certificate: ExVeritas 20ATEX0651X

IECEX

Ex db I Mb

Ex db IIC T4 Gb

Ex tb IIIC T135°C Db

Certificate: IECEX EXV 20.0017X

cMETus:

Class I Div 1 Groups B,C,D T4

Class II Div 1 Groups E,F,G T4

Class III Div 1

Class I Zone 1 AEx db IIC T4 Gb

Zone 21 AEx tb IIIC T135°C Db

Certificate: MET E115198

General

Supported products

AXIS XFQ1656 Explosion-Protected Camera

AXIS XPQ1785 Explosion-Protected PTZ Camera

Casing

Cabinet: SUS 316L stainless steel

Washer tank: SUS 304 stainless steel

Valve body: nickel-plated brass

Dimensions

For the overall product dimensions, see the dimension drawing in this datasheet.

Cable entry: M25 x 1,5

Inlet and outlet connection hose: Ø6 mm

Effective Projected Area (EPA): 0.15 m² (1.6 ft²)

Weight

Cabinet with empty tank: 11.2 kg (24.7 lb)

Solenoid valve: 800 g (1.8 lb)

Mounting

Pole mount or wall mount

Power

48 VDC, max 5.5 W

Tank capacity

10 l (2.6 gal)

Hose length

25 m (82 ft)

Elevation

Camera can be placed up to 20 m (66 ft) above the water tank

Functionality

Manually pressurized washer tank

Operational pressure – 6 bar (87.0 psi)

Cleaning fluid: Washer fluid (with antifreeze if needed) or degreaser fluid

Operating conditions

-30 °C to 60 °C (-22 °F to 140 °F)

Humidity: 10–100% RH (condensing)

Storage conditions

Temperature: -40 °C to 65 °C (-40 °F to 149 °F)

Humidity: 5–95% RH (non-condensing)

1. When incorporating the solenoid valve into the camera system, the overall temperature rating of the solution reduces to T4.
2. Certifications are only valid when solenoid valve is used together with the specified supported devices.

Box content

Cabinet, washer tank, solenoid valve, steel straps, hose, installation guide, installation manual, Declaration of Conformity

Warranty

5-year warranty, see axis.com/warranty

Sustainability**Substance control**

PVC free, BFR/CFR free in accordance with JEDEC/ECA Standard JS709

RoHS in accordance with EU RoHS Directive 2011/65/EU/ and EN 63000:2018

REACH in accordance with (EC) No 1907/2006. For SCIP UUID, see echa.europa.eu

Materials

Screened for conflict minerals in accordance with OECD guidelines

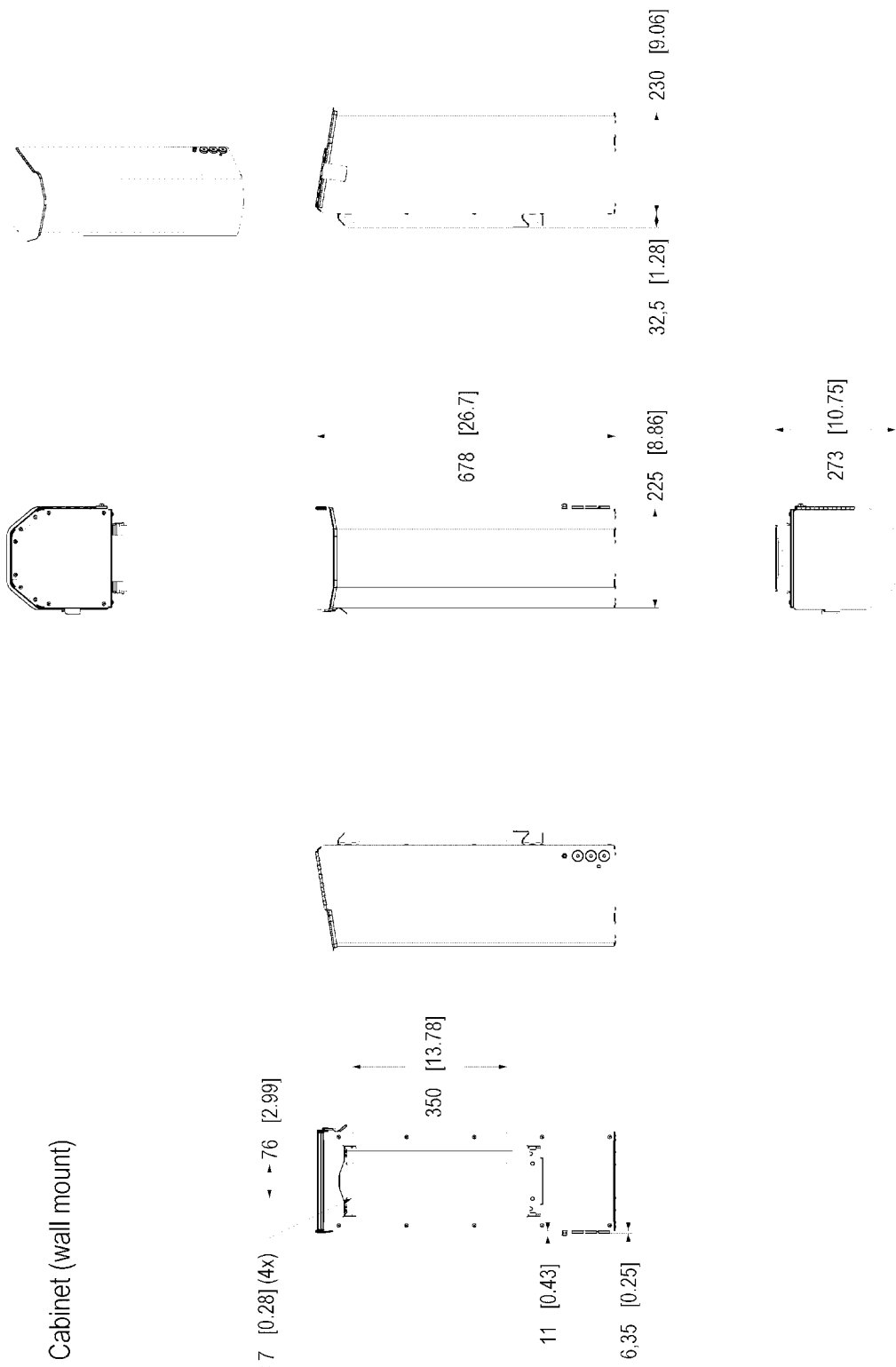
To read more about sustainability at Axis, go to axis.com/about-axis/sustainability

Environmental responsibility

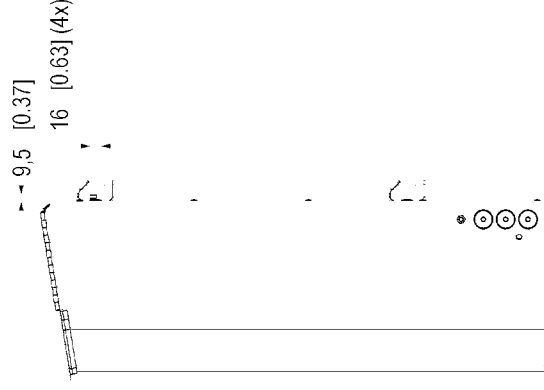
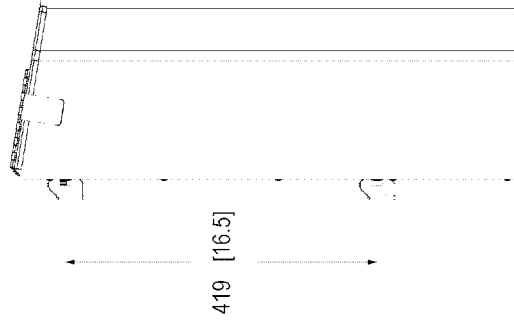
axis.com/environmental-responsibility

Axis Communications is a signatory of the UN Global Compact, read more at unglobalcompact.org

Cabinet (wall mount)

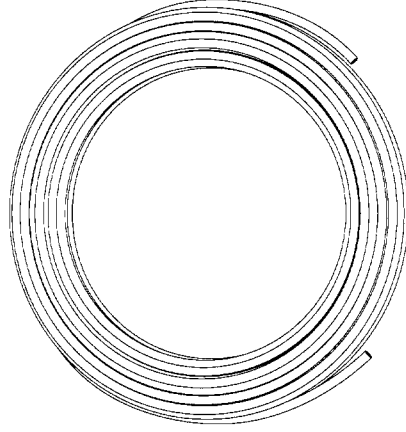


Cabinet (pole mount)



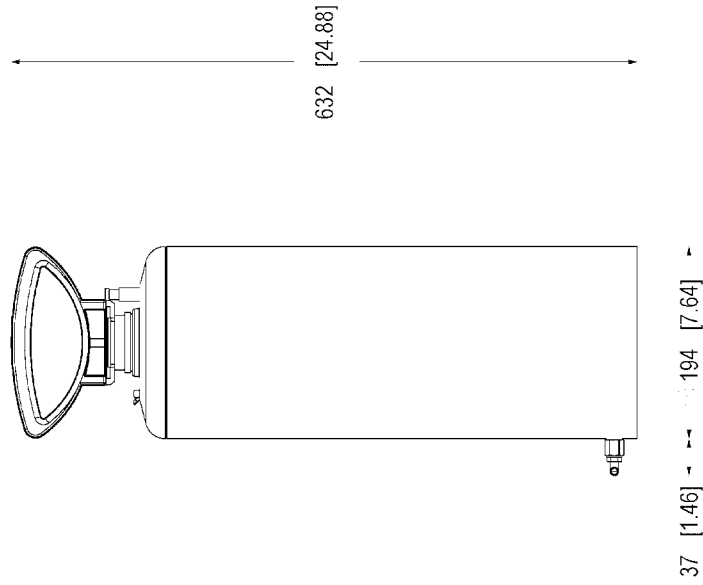
Tube

External diameter \varnothing 6 mm



Dimensionen in mm [Zoll]
2025-02-20 M17 1,2
13:00:00 2025 20

Tank



AXIS TX1901 Washer Kit

