



AXIS TQ1828-VE Safety Cabinet

Electrical safety cabinet for PTZ cameras

This robust cabinet protects internal equipment and is pre-assembled with Electrical Safety Kit A 120 V AC or Electrical Safety Kit B 230 V to ensure the safety and proper operation of the electrical equipment inside. It can handle extreme temperatures, harsh environments, and vandalism, and it complies with the 4M4 vibration standard to withstand vibrations and mechanical stress. Compatible with selected Axis PTZ cameras, it's lightweight, easy to install, and comes with a stainless-steel mounting plate, pre-mounted cable gaskets, DIN rail, and cabinet door screws. Ideal for remote locations, it safely houses and protects both mains power and low-voltage units.

- > **Available with either 120 V or 230 V**
- > **IP66-, IK10- and NEMA 4X-rated**
- > **Lightweight and easy to install**
- > **Resists vibrations and mechanical stress**
- > **Designed for PTZ cameras**



AXIS TQ1828-VE Safety Cabinet

Variants

AXIS TQ1828-VE Safety Cabinet 120 V
AXIS TQ1828-VE Safety Cabinet 230 V

Approvals

Product markings

UL/cUL, CE

Supply chain

TAA compliant

Safety

CAN/CSA C22.2 No. 62368-1 ed. 3,
IEC/EN/UL 62368-1 ed. 3, RCM AS/NZS 62368.1:2022

Environment

IEC 60068-2-6, IEC 60068-2-27, IEC/EN 60529 IP66,
IEC/EN 62262 IK10, NEMA 250 Type 4X

General

Casing

IP66-, NEMA 4X- and IK10-rated
Plastic
Stainless steel mounting plate
Color: white NCS S 1002-B

Operating conditions

Temperature: -40 °C to 85 °C (-40 °F to 185 °F)
Humidity: 10–100% RH (non-condensing)

Storage conditions

Temperature: -40 °C to 85 °C (-40 °F to 185 °F)
Humidity: 5–95% RH (non-condensing)

Dimensions

For the overall product dimensions, see the dimension drawing in this datasheet.
Effective Projected Area (EPA): 0.093 m² (1.0 ft²)

Weight

3930 g (8.7 lb)

Box content

Safety cabinet, electrical safety kit, installation guide, third party documentation

Warranty

3-year warranty, see axis.com/warranty

Part numbers

Available at axis.com/products/axis-tq1828-ve#part-numbers

Optional accessories

AXIS Cabinet Lock A, AXIS Door Switch A,
AXIS TQ1807-VE Cabinet Door, AXIS TQ1816-VE
Cabinet Door
For more accessories, go to axis.com/products/axis-tq1828-ve#compatible-products

Sustainability

Substance control

PVC free, BFR/CFR free in accordance with JEDEC/ECA Standard JS709
RoHS in accordance with EU RoHS Directive 2011/65/EU and 2015/863, and standard EN IEC 63000:2018
REACH in accordance with (EC) No 1907/2006. For SCIP UUID, see echa.europa.eu

Materials

Screened for conflict minerals in accordance with OECD guidelines
To read more about sustainability at Axis, go to axis.com/about-axis/sustainability

Environmental responsibility

axis.com/environmental-responsibility
Axis Communications is a signatory of the UN Global Compact, read more at unglobalcompact.org

Electrical Safety Kit A 120 V AC/Electrical Safety Kit B 230 V AC

Approvals

Product markings

UL/cUL, CE, RCM, UKCA

Supply chain

TAA compliant

Safety

Surge protector: IEC/EN 61643-11

MCB fuse: IEC 60947-2

Terminal block: IEC 60947-7-1:2009,
IEC 60947-7-2:2009

General

Power

Surge protector:

120 V AC

Surge voltage category: III

Requirements category acc. to IEC 61643-11: Type II,
Type III

Mains voltage: 120 V/240 V

Discharge current I_n (8/20 μ s) wire-PE: 20 kA

Short-circuit current rating I_{SCCR} : 50 kA

Combined pulse U_{OC} : 6 kV

Low voltage network: Single-phase, TN-S

Response time/fallback time: ≤ 25 ns

Temporary surge voltage (over-voltage) - U_{TOV} : 229 V

Max. continuous voltage, U_c (AC): 150 V

Discharge current I_{max} (8/20 μ s) wire-PE: 50 kA

Discharge current (type III): 3 kA

Protection level U_p at IN (L/N-PE): ≤ 1.25 kV

230 V AC

Surge voltage category: III

Requirements category acc. to IEC 61643-11: Type II,
Type III

Mains voltage: 230 V/400 V

Discharge current I_n (8/20 μ s) wire-PE: 20 kA

Short-circuit current rating I_{SCCR} : 50 kA

Combined pulse U_{OC} : 6 kV

Low voltage network: Single-phase, TN-S

Response time/fallback time: ≤ 25 ns

Temporary surge voltage (over-voltage) - U_{TOV} : 337 V

Max. continuous voltage, U_c (AC): 300 V

Discharge current I_{max} (8/20 μ s) wire-PE: 50 kA

Discharge current (type III): 3 kA

Protection level U_p at IN (L/N-PE): ≤ 1.5 kV

MCB fuse:

Breaking capacity: 3 kA I_{cu} 415 V AC EN/IEC 60947-2,

10 kA I_{cu} 240 V AC EN/IEC 60947-2,

14 kA AIR 240 V AC UL 489

Tripping Curve C

Operating conditions

Temperature: -30 °C to 70 °C (-22 °F to 158 °F)

Humidity: 5-95% RH (non-condensing)

Storage conditions

Temperature: -40 °C to 85 °C (-40 °F to 185 °F)

Humidity: 5-95% RH (non-condensing)

Dimensions

For the overall product dimensions, see the dimension drawing in the Electrical Safety Kit datasheet.

Weight

263 g (0.6 lb)

Warranty

3-year warranty, see axis.com/warranty

Part numbers

Electrical Safety Kit A 120 V AC

Available at axis.com/products/electrical-safety-kit-a-120-v-ac#part-numbers

Electrical Safety Kit B 230 V AC

Available at axis.com/products/electrical-safety-kit-b-230-v-ac#part-numbers

Sustainability

Substance control

PVC free, BFR/CFR free in accordance with JEDEC/ECA Standard JS709

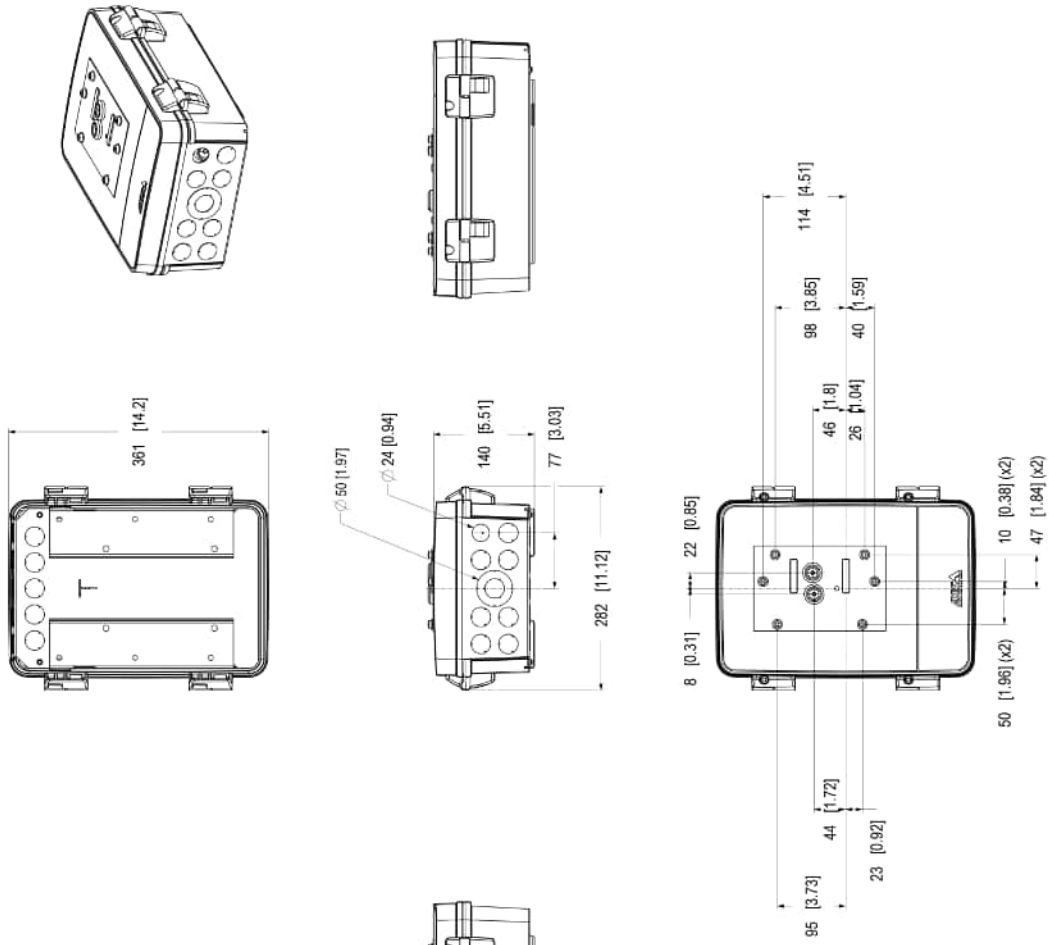
RoHS in accordance with EU RoHS Directive 2011/65/EU and 2015/863, and standard EN IEC 63000:2018

REACH in accordance with (EC) No 1907/2006. For SCIP UUID, see echa.europa.eu

Environmental responsibility

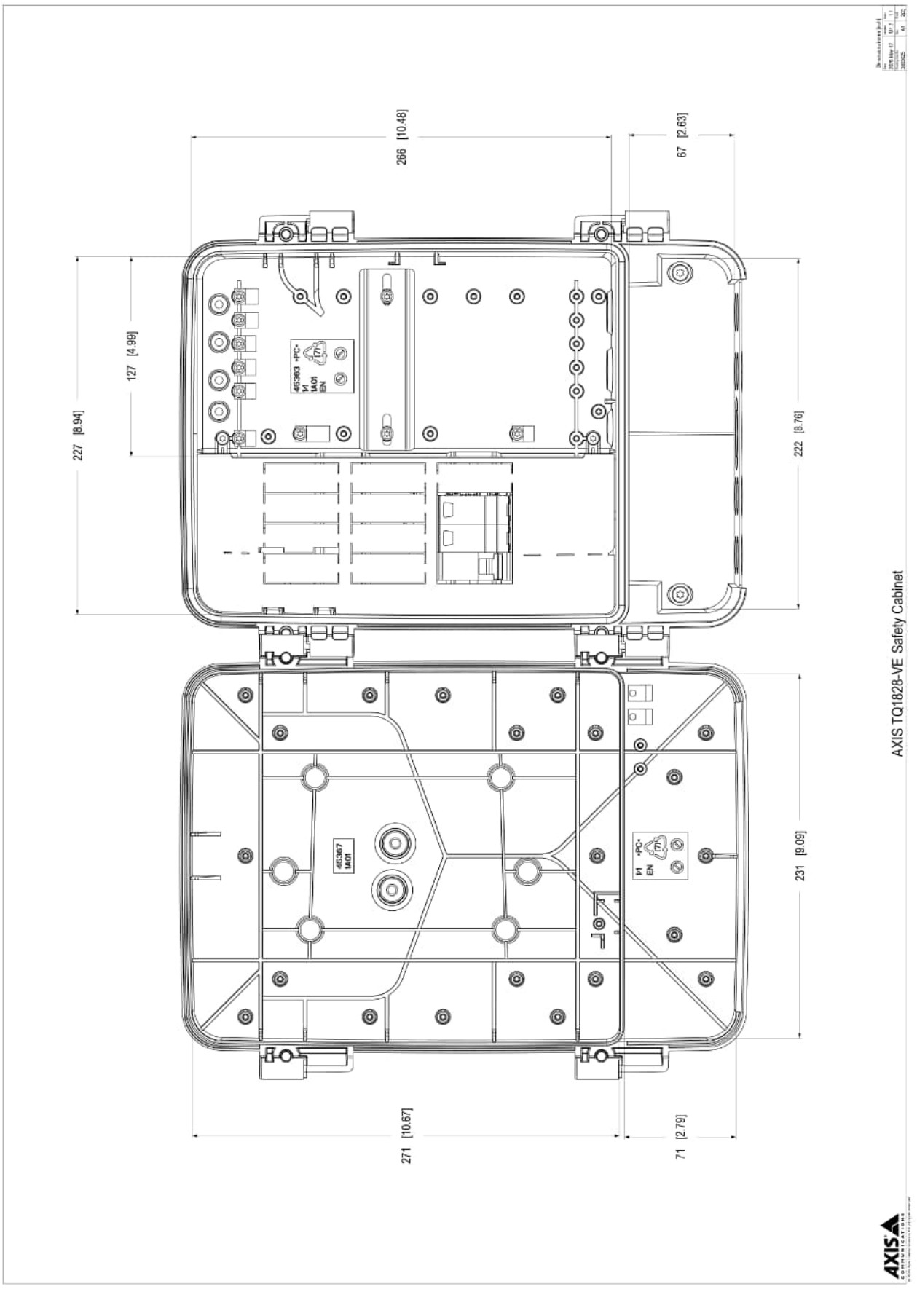
axis.com/environmental-responsibility

Axis Communications is a signatory of the UN Global Compact, read more at unglobalcompact.org



AXIS TQ182B-VE	01	01
AXIS TQ182B-VE	01	01
AXIS TQ182B-VE	01	01

AXIS TQ182B-VE Safety Cabinet



AXIS TQ1828-VE Safety Cabinet