

## AXIS 211W Network Camera

Flexible wireless video surveillance with superior image quality.



- > Superior image quality
- > Simultaneous MPEG-4 and Motion JPEG
- > Flexible installation with wireless capability
- > Secure communication
- > Outdoor option

AXIS 211W is a high performance network camera for professional video surveillance in locations such as retail stores, offices, hotels and university campuses. Designed for flexibility and ease of installation, it offers both wireless and wired connection to the network.

AXIS 211W, with progressive scan and 30 frames per second in VGA resolution, offers the high image quality customers have come to expect from Axis products.

Simultaneous MPEG-4 and Motion JPEG video streams allow for optimization of both image quality and bandwidth efficiency.

For optimal installation flexibility, AXIS 211W offers either a wireless IEEE 802.11g/b connection to the network or a wired Ethernet connection supporting Power over Ethernet. The camera only needs one outlet; either power or network.

AXIS 211W includes Enterprise and Personal Wi-Fi Protected Access (WPA/WPA2) for secure wireless communication, and HTTPS encryption as well as IEEE 802.1X access control for both wireless and wired connection to the network.

The AXIS 211W bundle, including outdoor antenna and housing, is the perfect choice for outdoor installations where power but no network connection is available.



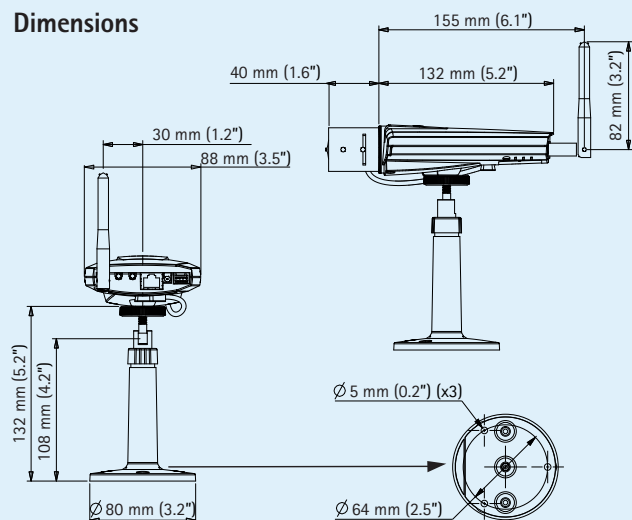
## Technical specifications – AXIS 211W Network Camera

Camera	
<b>Image sensor</b>	1/4" Progressive scan RGB CMOS VGA
<b>Lens</b>	Varifocal 3.0 – 8.0 mm, F1.0, DC-iris, CS mount Horizontal angle of view: 27° – 67°
<b>Minimum illumination</b>	0.75 lux, F1.0
<b>Shutter time</b>	1/15000 s to 1/4 s
Video	
<b>Video compression</b>	MPEG-4 Part 2 (ISO/IEC 14496-2) Motion JPEG
<b>Resolutions</b>	640x480 to 160x120
<b>Frame rate MPEG-4</b>	Up to 30 fps in all resolutions
<b>Frame rate Motion JPEG</b>	Up to 30 fps in all resolutions
<b>Video streaming</b>	Simultaneous MPEG-4 and Motion JPEG Controllable frame rate and bandwidth VBR/CBR MPEG-4
<b>Image settings</b>	Compression, color, brightness, sharpness, contrast, white balance, exposure control, fine tuning of behavior at low light, rotation Text and image overlay Privacy mask
Audio	
<b>Audio streaming</b>	Two-way
<b>Audio compression</b>	G.711 PCM 8 kHz G.726 ADPCM Configurable bit rate
<b>Audio input/output</b>	Built-in microphone, external microphone input or line input, line output
Network	
<b>Wireless interface</b>	IEEE 802.11g/b
<b>Security</b>	WEP 64/128 bit, WPA/WPA2-PSK, WPA/WPA2-Enterprise (EAP-TLS, EAP-PEAP/MSCHAPv2) Password protection, IP address filtering, HTTPS encryption, IEEE 802.1X network access control
<b>Supported protocols</b>	IPv4/v6, HTTP, HTTPS, QoS Layer 3 DiffServ, FTP, SMTP, Bonjour, UPnP, SNMPv1/v2c/v3 (MIB-II), DNS, DynDNS, RTSP, RTP, TCP, UDP, IGMP, RTCP, ICMP, DHCP, ARP, SOCKS, WPA-/WPA2-PSK, WPA-/WPA2-Enterprise, EAP-TLS, EAP-PEAP/MSCHAPv2, WEP

System integration	
<b>Application Programming Interface</b>	Open API for software integration, including VAPIX® from Axis Communications available at <a href="http://www.axis.com">www.axis.com</a>
<b>Intelligent video</b>	Video motion detection, audio detection
<b>Alarm triggers</b>	Intelligent video and external input
<b>Alarm events</b>	File upload via FTP, HTTP and email Notification via email, HTTP and TCP External output activation Pre- and post-alarm video buffering
General	
<b>Processors and memory</b>	ARTPEC-A, 64 MB RAM, 8 MB Flash
<b>Power</b>	7 – 20 V DC max. 5 W Power over Ethernet IEEE 802.3af Class 2
<b>Connectors</b>	RJ-45 10BASE-T/100BASE-TX PoE, Auto-MDIX Terminal block for 1 alarm input, 1 output and alternative power connection Reverse SMA for radio 3.5 mm mic/line in, 3.5 mm line out
<b>Operating conditions</b>	0 °C to 45 °C (32 °F to 113 °F) Humidity 20 – 80% RH (non-condensing)
<b>Approvals</b>	EN 301 489-1, EN 301 489-17, EN 300 328, FCC Part 15 Subpart B and C Class B, RSS-210, TELEC, AS/NZS 4711, MIC Power supply: EN 60950-1, UL, cUL
<b>Weight</b>	240 g (0.5 lb.)
<b>Included accessories</b>	Power supply, stand, terminal connector kit, antenna, antenna connector lid, Installation Guide, CD with installation tools, recording software and User's Manual, Windows decoder 1-user license

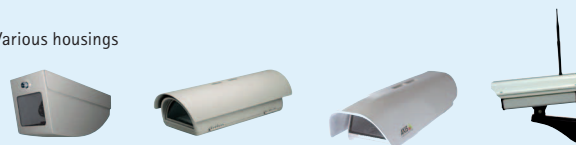
More information is available at [www.axis.com](http://www.axis.com)

### Dimensions



### Optional accessories

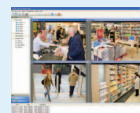
Various housings



Outdoor antenna



Lightning protector



For information on AXIS Camera Station and video management software from Axis' Application Development Partners, see [www.axis.com/products/video/software/](http://www.axis.com/products/video/software/)