

## AXIS M10 Network Camera Series

Smallest and smartest network cameras from the market leader.



- > Easy and flexible installation
- > PIR sensor and illumination LED
- > Microphone, speaker and I/O ports
- > Wireless capabilities
- > MicroSD/MicroSDHC card slot

AXIS M10 Series offers small and smart cameras, ideal for securing locations such as small businesses, boutiques, restaurants, hotels or residences. These intuitive and dependable cameras offer best-in-class image quality and professional monitoring capabilities.

AXIS M10 Network Cameras with their functional and smart design offer a high quality yet affordable video surveillance solution. Using progressive scan technology, the cameras provide VGA or HDTV (AXIS M1014 and AXIS M1054) images of moving objects with minimum motion blur.

Multiple H.264 and Motion JPEG streams can be provided simultaneously, individually optimized for different quality needs and bandwidth constraints. AXIS M1011, AXIS M1011-W and AXIS M1031-W additionally support MPEG-4 Part 2 for backward compatibility.

AXIS M10 Series is designed for easy and flexible installation. AXIS M1011-W and AXIS M1031-W offer the choice

of either a wireless or a wired connection to the network. AXIS M1054 can be powered either over Ethernet or by power supply.

AXIS M1031-W and AXIS M1054 feature an integrated PIR sensor for detecting movement even in the dark, and a white LED for illuminating the scene at an event. AXIS M1054 additionally supports one input and one output port for connecting external devices.

AXIS M1031-W and AXIS M1054 provide two-way audio support with built-in microphone and speaker, allowing remote listening in on an area, as well as communication with individuals directly or using uploaded or recorded audio clips.



## Model Specifications – AXIS M10 Network Camera Series

	Adjustable focus	Audio	Wireless IEEE 802.11b/g	PIR sensor White LED	I/O ports	PoE support
AXIS M1011						
AXIS M1013	✓					
AXIS M1014	✓					
AXIS M1011-W			✓			
AXIS M1031-W		✓	✓	✓		
AXIS M1054		✓		✓	✓	✓

## Technical Specifications – AXIS M10 Network Camera Series

Camera		Frame rate
<b>Models</b>	AXIS M1011/M1013/M1014: Wired interface AXIS M1011-W: Wired and wireless interface AXIS M1031-W: Wired and wireless interface, PIR sensor, illumination LED, audio AXIS M1054: Power over Ethernet, PIR sensor, illumination LED, audio, I/O ports	H.264: 30 fps in all resolutions Motion JPEG: 30 fps in all resolutions (performance may be reduced in wireless mode) AXIS M1011/M1011-W/M1031-W, MPEG-4 Part 2: 30 fps in all resolutions
<b>Image sensor</b>	AXIS M1011/M1011-W/M1031-W: 1/4" progressive scan RGB CMOS AXIS M1013/M1014/M1054: 1/4" progressive scan RGB CMOS	<b>Video streaming</b> Multiple, individually configurable streams in H.264 and Motion JPEG, as well as MPEG-4 Part 2 with AXIS M1011/ M1011-W/M1031-W Controllable frame rate and bandwidth VBR/CBR H.264, MPEG-4 Part 2
<b>Lens</b>	AXIS M1011/M1011-W/M1031-W: 4.4 mm: 47° view*, F2.0, fixed iris, fixed focus AXIS M1013: 2.8 mm: 67° view*, F2.0, fixed iris AXIS M1014: 2.8 mm: 80° view*, F2.0, fixed iris, adjustable focus AXIS M1054: 2.9 mm: 84° view*, F2.0, fixed iris, fixed focus *horizontal angle of view	<b>Image settings</b> AXIS M1011/M1011-W/M1031-W/M1054: Compression, color, brightness, sharpness, contrast, white balance, exposure control, exposure zones, backlight compensation, rotation Text and image overlay, Privacy mask AXIS M1013/M1014: Compression, color, brightness, sharpness, contrast, white balance, backlight compensation, rotation Text and image overlay, Privacy mask AXIS M1013/M1014/M1054: Mirroring, Axis' Corridor Format
<b>Light sensitivity</b>	AXIS M1011/M1011-W/M1031-W: 1-10000 lux, F2.0 AXIS M1013/M1014/M1054: 1.2 - 10000 lux, F2.0 AXIS M1031-W/M1054: 0 lux with illumination LED on	<b>Audio (AXIS M1031-W &amp; AXIS M1054)</b>
<b>Shutter time</b>	AXIS M1011/M1011-W/M1031-W: 1/5000 s to 1/4 s AXIS M1013/M1014: 1/8000 s to 1/6 s AXIS M1054: 1/24500 s to 1/6 s	<b>Audio streaming</b> Two-way
<b>Pan/Tilt/Zoom</b>	AXIS M1013/M1014/M1054: Digital PTZ, preset positions, guard tour	<b>Audio compression</b> AAC-LC 8/16 kHz, G.711 PCM 8 kHz, G.726 ADPCM 8 kHz Configurable bit rate
<b>Video</b>		<b>Audio in/out</b> Built-in microphone (can be disabled) and speaker
<b>Video compression</b>	AXIS M1011/M1011-W/M1031-W: H.264 Baseline (MPEG-4 Part 10/AVC), MPEG-4 Part 2 (ISO/IEC 14496-2), Motion JPEG AXIS M1013/M1014: H.264 Main Profile (MPEG-4 Part 10/AVC), Motion JPEG AXIS M1054: H.264 Baseline (MPEG-4 Part 10/AVC), Motion JPEG	<b>Network</b>
<b>Resolutions</b>	AXIS M1011/M1011-W/M1031-W: 640x480 to 160x120 AXIS M1013: 800x600 to 352x240 AXIS M1014: 1280x800 to 352x240 AXIS M1054: 1280x800 to 160x90	<b>Wireless interface</b> Internal antenna AXIS M1011-W/M1031-W: IEEE 802.11b/g
		<b>Security</b> Password protection, IP address filtering, HTTPS** encryption, IEEE 802.1X network access control, digest authentication, user access log AXIS M1011-W/M1031-W: WEP 64/128 bit, WPA/WPA2-PSK, WPA, WPA2 Enterprise
		<b>Supported protocols</b> IPv4/v6, HTTP, HTTPS**, QoS Layer 3 DiffServ, FTP, CIFS/SMB, SMTP, Bonjour, UPnP™, SNMPv1/v2c/v3(MIB-II), DNS, DynDNS, NTP, RTSP, RTP, TCP, UDP, IGMP, RTCP, ICMP, DHCP, ARP, SOCKS

# Technical Specifications – AXIS M10 Network Camera Series

## System integration

<b>Application Programming Interface</b>	Open API for software integration, including the ONVIF specification available at <a href="http://www.onvif.org">www.onvif.org</a> , as well as VAPIX® from Axis Communications, specifications available at <a href="http://www.axis.com">www.axis.com</a> ; Support for AXIS Video Hosting System (AVHS) with One-Click Camera connection AXIS M1054: Support for AXIS Camera Application Platform from Axis Communications, specifications available at <a href="http://www.axis.com">www.axis.com</a>
<b>Intelligent video</b>	Video motion detection, active tampering alarm AXIS M1031-W/M1054: Audio detection AXIS M1054: Support for AXIS Camera Application Platform enabling installation of additional applications
<b>Event triggers</b>	Intelligent video AXIS M1031-W: Built-in PIR sensor AXIS M1054: External input, built-in PIR
<b>Event actions</b>	File upload: FTP, HTTP, network share and email Notification: email, HTTP and TCP Pre- and post-alarm video buffering AXIS M1031-W/M1054: Activation of illumination LED, audio clip playback AXIS M1054: External output activation
<b>Data Streaming</b>	Event data
<b>Built-in installation aids</b>	Pixel counter
<b>General</b>	
<b>Casing</b>	AXIS M1011/M1011-W/M1013/M1014/M1031-W: Polycarbonate AXIS M1054: Aluminium and polycarbonate Color: white NCS S 1002-B
<b>Memory</b>	AXIS M1011/M1011-W/M1031-W: 64 MB RAM, 32 MB Flash AXIS M1013/M1014: 256 MB RAM, 128 MB Flash AXIS M1054: 128 MB RAM, 128 MB Flash
<b>Power</b>	4.9 – 5.1 V DC, max. 2.2 W AXIS M1054: Power over Ethernet IEEE 802.3af Class 2 (max. 6.49 W)
<b>Connectors</b>	DC jack, RJ-45 10BASE-T/100BASE-TX AXIS M1054: 1 alarm input and 1 output

More information is available at [www.axis.com](http://www.axis.com)

\*\*This product includes software developed by the OpenSSL. Project for use in the OpenSSL Toolkit. ([www.openssl.org](http://www.openssl.org))

<b>Edge storage</b>	AXIS M1013/M1014: MicroSD/MicroSDHC memory card slot (card not included) AXIS M1013/M1014/M1054: Support for recording to network share (Network Attached Storage or file server)
<b>PIR sensor</b>	AXIS M1031-W/M1054: Passive infrared (PIR) motion sensor with configurable sensitivity. Max range: 6 m
<b>Illumination LED</b>	AXIS M1031-W/M1054: White illumination LED: 1 W, Class 1M
<b>Operating conditions</b>	Humidity 20 – 80% RH (non-condensing) AXIS M1011/M1011-W/M1031-W: 0 °C to 50 °C (32 °F to 122 °F) AXIS M1013/M1014/M1054: 0 °C to 40 °C (32 °F to 104 °F)
<b>Approvals</b>	AXIS M1011: EN 55022 Class B, EN 55024, EN 61000-3-2, EN 61000-3-3, EN 61000-6-1, EN 61000-6-2, EN 60950-1, FCC Part 15 Subpart B Class B, VCCI Class B, ICES-003 Class B, C-tick AXIS M1011-W/M1031-W: EN 55022 Class B, EN 55024, EN 61000-3-2, EN 61000-3-3, EN 61000-6-1, EN 61000-6-2, EN 301489-1, EN 301489-17, EN 300328, EN 60950-1, FCC Part 15 Subpart B and C Class B, VCCI Class B, RSS-210, C-tick, TELEC, KCC AXIS M1013/M1014/M1054: EN 55022 Class B, EN 61000-3-2, EN 61000-3-3, EN 61000-6-1, EN 61000-6-2, EN 55024, FCC Part 15 Subpart B and C Class B, VCCI Class B, C-tick AS/NZS CISPR 22, ICES-003 Class B, KCC Class B, EN 60950-1 Power supply: EN 60950-1, cCSAus
<b>Weight</b>	AXIS M1011-W: 94 g (0.21 lb) AXIS M1013/M1014: 110 g (0.24 lb) AXIS M1031-W: 101 g (0.22 lb) AXIS M1054: 156 g (0.34 lb)
<b>Included accessories</b>	Power supply, stand and clamp, Installation/Quick Guide, Installation and Management Software CD, Windows decoder 1-user license AXIS M1054: Extension for stand: 100 mm (4.0")

## Unique pixel counter feature

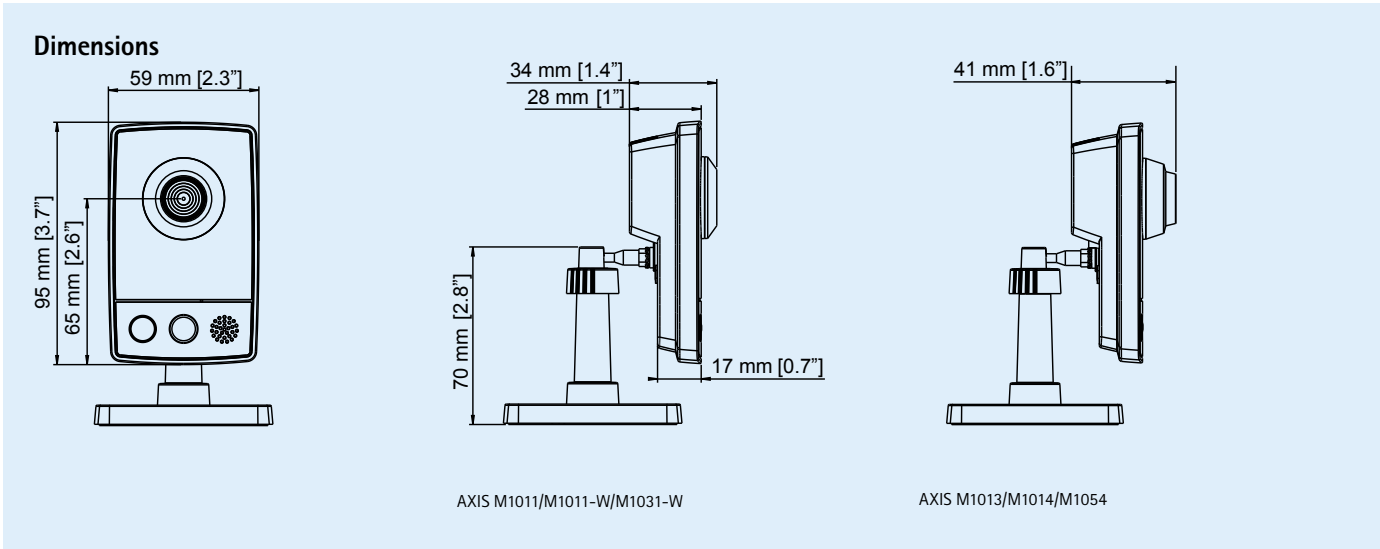


AXIS M10 Series features the unique pixel counter that allows the installer to easily verify that the camera installation fulfills any regulatory or specific customer requirements, for example, calculating the pixel resolution of the face of a person passing a doorway monitored by the camera.



More information is available at:  
[www.axis.com/products/m10\\_series/](http://www.axis.com/products/m10_series/)

## Dimensions – AXIS M10 Network Camera Series



## Accessories – AXIS M10 Network Camera Series

**Included accessories (AXIS M1054)**

Extension for stand

AXIS Camera Companion (included), AXIS Camera Station and video management software from Axis' Application Development Partners (not included). For more information, see [www.axis.com/products/video/software](http://www.axis.com/products/video/software)

**Optional accessories (\*all AXIS M10 Network Cameras except AXIS M1054)**

AXIS PoE Active Splitter 5V AF\*

AXIS T8414 Installation Display

AXIS P8221 Network I/O Audio Module