

AXIS 221 Network Camera

High performance, professional day and night network camera.



- > Superior image quality including progressive scan
- > Day & night function
- > Up to 45 frames per second, VGA resolution
- > Power over Ethernet
- > Powerful event management

AXIS 221 Network Camera is a high-performance camera for round-the-clock video surveillance over IP networks. The camera provides high-quality images under all lighting conditions, which makes it ideal for demanding security installations both indoors and outdoors.

The automatic, removable infrared-cut filter, together with the highly light-sensitive CCD sensor, enables AXIS 221 to provide color video when there is sufficient light, and black/white video in dark conditions. Progressive scan enables the camera to reproduce moving objects without distortion.

The camera provides up to 45 frames per second in VGA resolution (640x480 pixels).

Simultaneous MPEG-4 and Motion JPEG video streams allow for optimization of image quality and bandwidth efficiency.

Power over Ethernet (IEEE 802.3af) supplies power to the camera via the network, which eliminates the need for power cables and reduces installations costs.

The event management capabilities ensure efficient use of the camera in the video surveillance system. This includes video motion detection, active tampering alarm and pre/post alarm buffering.



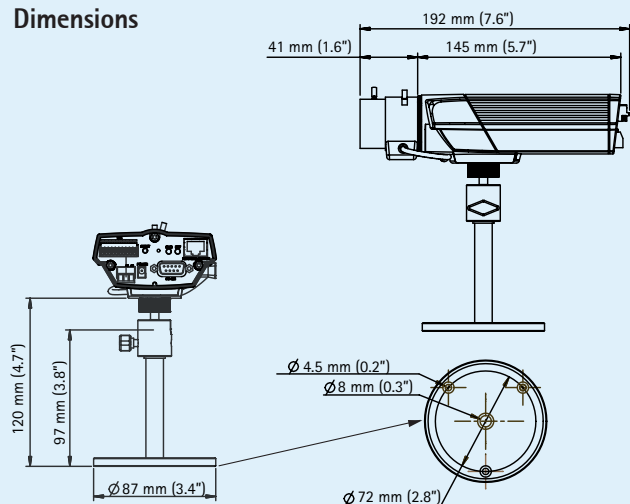
Technical specifications – AXIS 221 Network Camera

Camera	
Image sensor	1/3" Progressive scan RGB CCD
Lens	Varifocal 3.0 – 8.0 mm, F1.0, DC-iris, CS mount Angle of view, horizontal: 35° – 93°
Minimum illumination	Color: 0.65 lux, F1.0 B/W: 0.08 lux, F1.0
Shutter time	1/25000 s to 2 s
Video	
Video compression	MPEG-4 Part 2 (ISO/IEC 14496-2) Motion JPEG
Resolutions	160x120 – 640x480
Frame rate MPEG-4	Up to 30 fps at 640x480, 60 fps at 320x240
Frame rate Motion JPEG	Up to 45 fps at 640x480, 60 fps at 480x360
Video streaming	Simultaneous MPEG-4 and Motion JPEG Controllable frame rate and bandwidth VBR/CBR MPEG-4
Image settings	Compression, rotation, color, brightness, sharpness, contrast, white balance, exposure control, exposure area, backlight compensation, fine tuning of behavior at low light Text and image overlay Privacy mask
Network	
Security	Password protection, IP address filtering, HTTPS encryption, IEEE 802.1X network access control, user access log
Supported protocols	IPv4/v6, HTTP, HTTPS, QoS Layer 3 DiffServ, FTP, SMTP, Bonjour, UPnP, SNMPv1/v2c/v3 (MIB-II), DNS, DynDNS, NTP, RTSP, RTP, TCP, UDP, IGMP, RTCP, ICMP, DHCP, ARP, SOCKS

System integration	
Application Programming Interface	Open API for software integration, including VAPIX® from Axis Communications available at www.axis.com
Intelligent video	Video motion detection, active tampering alarm
Alarm triggers	Intelligent video, IR-cut filter, temperature and external input
Alarm events	File upload via FTP, HTTP and email Notification via email, HTTP and TCP External output activation
Video buffer	9 MB pre-and post alarm
General	
Casing	Metal (aluminum)
Processors and memory	ETRAX 100LX, ARTPEC-2, 32 MB RAM, 8 MB Flash
Power	7 – 24 V DC, max 5.5 W 10 – 24 V AC, max 7.5 VA Power over Ethernet IEEE 802.3a, Class 2
Connectors	RJ-45 for 10BASE-T/100BASE-TX, DC jack Terminal block for 2 alarm inputs, 1 output and RS485 D-sub for RS-232
Operating conditions	0 – 50 °C (32 – 122 °F) Humidity 20 – 80% RH (non-condensing)
Approvals	EN 55022 Class B, EN 55024, EN 61000-3-2, EN 61000-3-3, EN 61000-6-1, EN 61000-6-2, FCC Part 15 Subpart B Class B, VCCI Class B, C-tick AS/NZS CISPR22, ICES-003 Class B, EN 60950-1 Power supply: EN 60950-1, UL, cUL
Weight	550 g (1.2 lb.)
Included accessories	Installation Guide, CD with User's Manual, recording software, installation and management tools, mounting and connector kits, power supply, Windows decoder 1-user license

More information is available at www.axis.com

Dimensions



Optional accessories

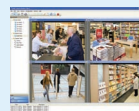
Various housings



Lenses



T90A IR Illuminators



For information on AXIS Camera Station and video management software from Axis' Application Development Partners, see www.axis.com/products/video/software/

©2008 Axis Communications AB. AXIS COMMUNICATIONS, AXIS, ETRAX, ARTPEC and VAPIX are registered trademarks or trademark applications of Axis AB in various jurisdictions. All other company names and products are trademarks or registered trademarks of their respective companies. We reserve the right to introduce modifications without notice.