

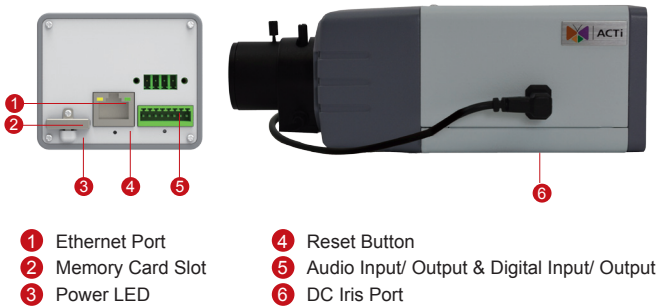
E271

10MP Box with D/N,
Basic WDR, Vari-focal Lens



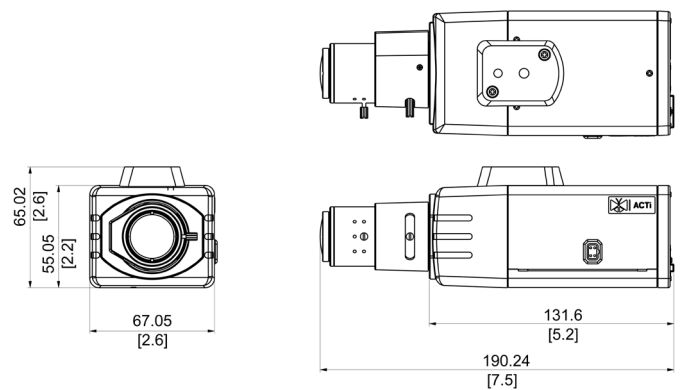
- 10 Megapixel with 4K/1080p
- Day & Night
- Vari-focal Lens with f3-13mm / F1.4, DC Iris
- Basic WDR (65.2 dB)
- 30 fps at 1920 x 1080

PHOTO INDICATION



- 1 Ethernet Port
- 2 Memory Card Slot
- 3 Power LED
- 4 Reset Button
- 5 Audio Input/ Output & Digital Input/ Output
- 6 DC Iris Port

DIMENSION DIAGRAM



Unit: mm [inch]

ACCESSORY OPTIONS

Popular Mounting Solutions		
Corner	PMAX-0202 PMAX-1101 PMAX-0402	
Pole	PMAX-0202 PMAX-1101 PMAX-0503	

* For more mounting solutions, please refer to Project Planner on www.acti.com

Outdoor Housing & Bracket		
PMAX-0200		IP66, with heater and fan powered by 110V AC, -30 °C ~ 50 °C (-22 °F ~ 122 °F), requires housing bracket
PMAX-0201		IP66, with heater and fan powered by 220V AC, -30 °C ~ 50 °C (-22 °F ~ 122 °F), requires housing bracket
PMAX-0202		IP66, -10°C ~ 50°C (14 °F ~ 122 °F), requires housing bracket
PMAX-1101		Aluminum, max. load 10 kg (22.05 lb), tilt angle 90° (For PMA-0200, PMA-0201, PMA-0202)

Camera Bracket		
PMAX-1100		Ceiling bracket for indoor box or bullet cameras, ivory
PMAX-1104		Ceiling bracket for indoor box or bullet cameras, gray



www.use-ip.co.uk
01304 827609



www.acti.com

* Latest product information: www.acti.com/product/
* Accessory information: www.acti.com/accessory/

PRODUCT SPECIFICATION**E271****• Device**

Device Type	Box Camera
Image Sensor	Progressive Scan CMOS
Sensor Size	1/2.3"
Day / Night	Yes
Superior Low Light Sensitivity	No
Minimum Illumination	Color: 0.1 lux at F1.4 (30 IRE, 2400°K); B/W: 0.05 lux at F1.4 (30 IRE, 2400°K)
Color to B/W Switch	ISP based switch; Configurable
Mechanical IR Cut Filter	Yes
IR Sensitivity Range	700 - 1100 nm
IR LED	No
Electronic Shutter	1/5 ~ 1/2,000 sec (manual mode); 1/5 ~ 1/10,000 sec (auto mode)

• Lens

Focal Length / Aperture	Vari-focal, f3 - 13 mm / F1.4
Iris	DC iris
Focus	Manual focus
Lens Mount	CS mount (interchangeable lens)
Horizontal Viewing Angle	100.5° ~ 26.2°

• Video

Compression	H.264 HP, MJPEG
Max. Frame Rate vs. Resolution	6 fps at 3648 x 2736; 6 fps at 3648 x 2160; 6 fps at 2592 x 1944; 6 fps at 2048 x 1536; 30 fps at 1920 x 1080; 30 fps at 1280 x 720; 30 fps at 640 x 480; 15 fps at 320 x 240
Multi-Streaming	Simultaneous dual streams based on two configurations
Bit Rate	28 Kbps - 6 Mbps (per stream)
Bit Rate Mode	Constant, Variable
Image Enhancement	Basic WDR (65.2 dB); White balance: automatic, hold, and manual; Brightness; Contrast; Sharpness(auto); Auto gain control; Digital noise reduction; Flickerless
Privacy Mask	4 configurable regions
Text Overlay	User defined text on video
Image Orientation	Image flip and mirror

• Audio

Compression	8kHz, Mono, PCM, 16 bit encoding; G. 711
Audio-In	Terminal Block
Audio-Out	Terminal block

• Network

Protocol & Service	TCP, UDP, HTTP, HTTPS, DHCP, PPPoE, RTP, RTSP, IPv6, DNS, DDNS, NTP, ICMP, ARP, IGMP, SMTP, FTP, UPnP, SNMP, Bonjour
Ethernet Port	1, Ethernet (10/100 Base-T), RJ-45 connector
Security	IP address filtering; HTTPS encryption; Password protected user levels; Anonymous login; IEEE 802.1X network access control

• Alarm

Alarm Trigger	Video motion detection (3 regions); External device through digital input
Alarm Response	Notify control center; Change camera settings; Command other devices; E-mail notification with snapshots; Save video, Snapshot to FTP server; Activate external device through digital output

• Interface

DC Iris Connector	External connector for DC iris lens
Digital Input	1, Terminal block
Digital Output	1, Terminal block
Local Storage	MicroSDHC/MicroSDXC memory card slot (card not included)

• General

Power Source / Consumption	PoE Class 2 (IEEE802.3af) / 4.32 W
Weight	486g (1.071lb)
Dimensions (W x H x D)	19.0mm x 6.7mm x 6.5mm (7.5" x 2.6" x 2.6")
Environmental Casing	Optional housing (IP 66 rated)
Starting Temperature	-10°C ~ 50°C (14°F ~ 122°F)
Operating Temperature	-10°C ~ 50°C (14°F ~ 122°F)
Operating Humidity	10% ~ 85% RH
Approvals	CE (EN 55022 Class B, EN 55024), FCC (Part15 Subpart B Class B)

• Integration

Unified Solution	Fully compatible with ACTi software
ISV Integration	Software Development Kit (SDK) available, ONVIF compliant
Firmware Access Browser	Microsoft Internet Explorer 8.0 or newer (full functionality); Other browsers with QuickTime installed (partial functionality)

* All specifications are subject to change without notice.

* All brand names and registered trademarks are the property of their respective owners.

www.acti.com