

# E46A

3MP Bullet with D/N, Adaptive IR, Superior WDR, Vari-focal Lens

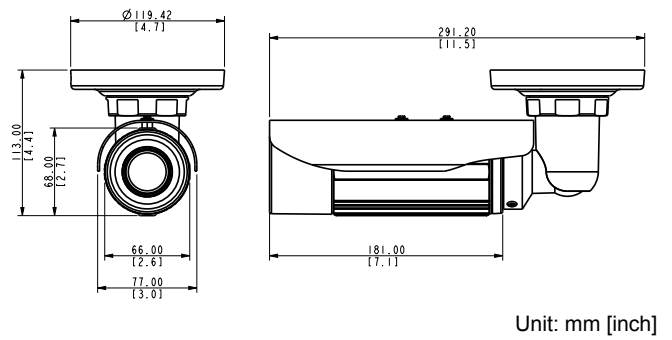


- 3 Megapixel with 1080p
- Day & Night with Adaptive IR LED
- Vari-focal Lens with f2.8-12mm / F1.4
- Superior WDR (110 dB)
- 30 fps at 1920 x 1080
- Weatherproof (IP68) and Vandal Proof Metal Casing (IK10)

## PHOTO INDICATION



## DIMENSION DIAGRAM



## ACCESSORY OPTIONS

### Popular Mounting Solutions

Gang Box PMAX-0806



\* For more mounting solutions, please refer to Project Planner on [www.acti.com](http://www.acti.com)



[www.use-ip.co.uk](http://www.use-ip.co.uk)  
01304 827609

**PRODUCT SPECIFICATION****E46A****• Device**

|                                |   |
|--------------------------------|---|
| Device Type                    | Bullet Camera   |
| Image Sensor                   | Progressive Scan CMOS   |
| Sensor Size                    | 1/3"  |
| Day / Night                    | Yes   |
| Superior Low Light Sensitivity | No  |
| Minimum Illumination           | Color: 0.1 lux at F1.4 (30 IRE, 2400°K); B/W: 0 lux (IR LED on) |
| Color to B/W Switch            | ISP based switch, configurable                                  |
| Mechanical IR Cut Filter       | Yes   |
| IR Sensitivity Range           | 700~1100nm  |
| IR LED                         | Adaptive IR LED (IR Exposure Compensation) x 15 (850 nm)        |
| IR Working Distance            | 30 m (0 lux, 30 IRE, Gain 255, Auto shutter mode)               |
| Electronic Shutter             | 1/5 ~ 1/2,000 sec (manual mode); 1/5 ~ 1/10,000 sec (auto mode) |

**• Lens**

|                          |                                 |
|--------------------------|---------------------------------|
| Focal Length / Aperture  | Vari-focal, f2.8 - 12 mm / F1.4 |
| Iris                     | Fixed iris                      |
| Focus                    | Manual focus                    |
| Mount Type               | Board mount                     |
| Horizontal Viewing Angle | 70.5°~28.8°                     |

**• Video**

|                               |  |
|-------------------------------|--|
| Compression                   | H.264 HP, MJPEG  |
| Max.Frame Rate vs. Resolution | 15 fps at 2048 x 1536; 30 fps at 1920 x 1080; 30 fps at 1280 x 720;<br>30 fps at 640 x 480; 15 fps at 320 x 240  |
| Multi-Streaming               | Simultaneous dual streams based on two configurations  |
| Bit Rate                      | 28 Kbps - 6 Mbps (per stream)  |
| Bit Rate Mode                 | Constant, Variable   |
| Image Enhancement             | Superior WDR (110 dB); White balance: automatic, hold, and manual; Brightness; Contrast; Sharpness (auto); Auto gain control; Digital noise reduction; Flickerless |
| Privacy Mask                  | 4 configurable regions   |
| Text Overlay                  | User defined text on video   |
| Image Orientation             | Image flip and mirror  |

**• Audio**

|             |  |
|-------------|--|
| Compression | 8 kHz, Mono, PCM, 16 bit encoding; G.711 |
| Audio-In    | Cable with 3.5mm phone jack              |
| Audio-Out   | Cable with 3.5mm phone jack              |

**• Network**

|                    |  |
|--------------------|--|
| Protocol & Service | TCP, UDP, HTTP, HTTPS, DHCP, PPPoE, RTP, RTSP, IPv6, DNS, DDNS, NTP, ICMP, ARP, IGMP, SMTP, FTP, UPnP, SNMP, Bonjour           |
| Ethernet Port      | 1, Ethernet (10/100 Base-T), RJ-45 connector   |
| Security           | IP address filtering; HTTPS encryption; Password protected user levels;<br>Anonymous login; IEEE 802.1X network access control |

**• Alarm**

|                |   |
|----------------|---|
| Alarm Trigger  | Video motion detection (3 regions)  |
| Alarm Response | Notify control center; Change camera settings; Command other devices; E-mail notification with snapshots;<br>Save video or snapshot to local storage; Upload video, snapshot to FTP server; Activate external device through digital output |

**• Interface**

|                |  |
|----------------|--|
| Digital input  | 1, Cable without connector                               |
| Digital Output | 1, Cable without connector                               |
| Local Storage  | MicroSDHC/MicroSDXC memory card slot (card not included) |

**• General**

|                            |   |
|----------------------------|---|
| Power Source / Consumption | PoE Class 2 (IEEE802.3af) / 5.76 W (IR on)  |
| Weight                     | 1007 g (2.22 lb)  |
| Dimensions (Ø x L)         | 77 mm x 291 mm (3" x 11.4")   |
| Bundled Accessories        | Bracket, Weatherproof Connector Kit   |
| Environmental Casing       | Weatherproof (IP68 rated); Vandal proof metal casing (IK10)   |
| Mount Type                 | Wall, Ceiling, Gang box   |
| Starting Temperature       | -20 °C ~ 50 °C (-4 °F ~ 122 °F)   |
| Operating Temperature      | -40 °C ~ 50 °C (-40 °F ~ 122 °F)  |
| Operating Humidity         | 10% ~ 85% RH  |
| Approvals                  | CE (EN 55022 Class B, EN 55024), FCC (Part15 Subpart B Class B), IP68, NEMA 4X, IK10 (metal casing) |

**• Integration**

|                         |  |
|-------------------------|--|
| Unified Solution        | Fully compatible with ACTi software  |
| ISV Integration         | Software Development Kit (SDK) available; ONVIF compliant  |
| Firmware Access Browser | Microsoft Internet Explorer 8.0 or newer (full functionality);<br>Safari with QuickTime installed or other browsers with VLC installed (partial functionality) |

\* All specifications are subject to change without notice.

\* All brand names and registered trademarks are the property of their respective owners.

www.acti.com

