

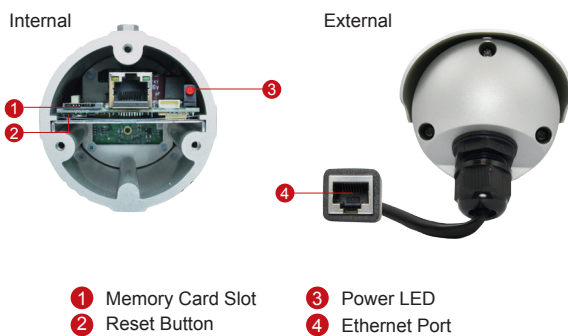
# E33A

5MP Bullet with D/N,  
Adaptive IR, Basic WDR, Fixed Lens

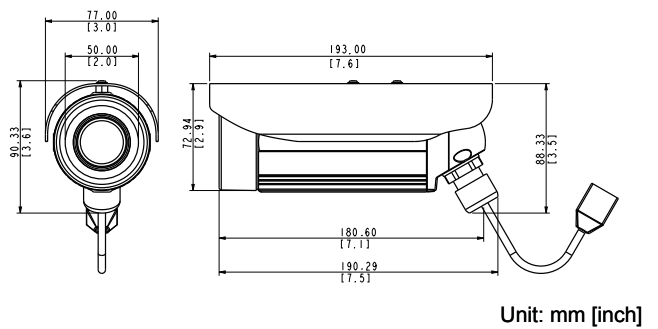


- 5 Megapixel with 1080p
- Day & Night with Adaptive IR LED
- Fixed Lens with f4.2mm / F1.8
- Basic WDR (74 dB)
- 30 fps at 1920 x 1080
- Weatherproof (IP68) and Vandal Proof Metal Casing (IK10)

## PHOTO INDICATION



## DIMENSION DIAGRAM



## ACCESSORY OPTIONS

| Camera Bracket |  |   |
|----------------|--|---|
| PMAX-1103      |  | Aluminum, max. load 10 kg (22.05 lb), tilt angle 90°, swivel angle 360° |

| Popular Mounting Solutions |                        |  |
|----------------------------|------------------------|--|
| Corner                     | PMAX-1103<br>PMAX-0402 |  |
| Pole                       | PMAX-1103<br>PMAX-0503 |  |

\* For more mounting solutions, please refer to Project Planner on [www.acti.com](http://www.acti.com)

**PRODUCT SPECIFICATION****E33A****• Device**

|                                |   |
|--------------------------------|---|
| Device Type                    | Bullet Camera   |
| Image Sensor                   | Progressive Scan CMOS   |
| Sensor Size                    | 1/3.2"  |
| Effective Pixels               | 2592 (H) x 1944 (V) (5.04 MP)                                   |
| Day / Night                    | Yes   |
| Superior Low Light Sensitivity | No  |
| Minimum Illumination           | Color: 0.1 lux at F1.8 (30 IRE, 2400°K); B/W: 0 lux (IR LED on) |
| Color to B/W Switch            | ISP sensor based switch; Configurable                           |
| Mechanical IR Cut Filter       | Yes   |
| IR Sensitivity Range           | 700 - 1100 nm   |
| IR LED                         | Adaptive IR LED (IR Exposure Compensation) x 20 (850 nm)        |
| IR Working Distance            | 30 m (0 lux, 30 IRE, Gain 255, Auto shutter mode)               |
| Electronic Shutter             | 1/5 ~ 1/2,000 sec (manual mode); 1/5 ~ 1/10,000 sec (auto mode) |
| TV Lines                       | 1350  |
| S/N Ratio                      | 52 dB   |

**• Lens**

|                          |                             |
|--------------------------|-----------------------------|
| Focal Length / Aperture  | Fixed focal, f4.2 mm / F1.8 |
| Iris                     | Fixed iris                  |
| Focus                    | Fixed focus                 |
| Lens Mount               | Board mount                 |
| Horizontal Viewing Angle | 62.7°                       |

**• Video**

|                                |  |
|--------------------------------|--|
| Compression                    | H.264 HP, MJPEG  |
| Max. Frame Rate vs. Resolution | 15 fps at 2592 x 1944; 15 fps at 2048 x 1536; 30 fps at 1920 x 1080;<br>30 fps at 1280 x 720; 30 fps at 640 x 480; 15 fps at 320 x 240                           |
| Multi-Streaming                | Simultaneous dual streams based on two configurations  |
| Bit Rate                       | 28 Kbps - 6 Mbps (per stream)  |
| Bit Rate Mode                  | Constant, Variable   |
| Image Enhancement              | Basic WDR (74 dB); White balance: automatic, hold, and manual; Brightness;<br>Contrast; Sharpness(auto); Auto gain control; Digital noise reduction; Flickerless |
| Privacy Mask                   | 4 configurable regions   |
| Text Overlay                   | User defined text on video   |
| Image Orientation              | Image flip and mirror  |

**• Network**

|                    |   |
|--------------------|---|
| Protocol & Service | TCP, UDP, HTTP, HTTPS, DHCP, PPPoE, RTP, RTSP, IPv4, IPv6, DNS, DDNS, NTP, ICMP, ARP, IGMP, SMTP, FTP, UPnP, SNMP, Bonjour    |
| Ethernet Port      | 1, Ethernet (10/100 Base-T), RJ-45 connector  |
| Security           | IP address filtering; HTTPs encryption; Password protected user levels;<br>Anonymous login; IEEE802.1X network access control |

**• Alarm**

|                |  |
|----------------|--|
| Alarm Trigger  | Video motion detection (3 regions)   |
| Alarm Response | Notify control center; Change camera settings; Command other devices; E-mail notification with snapshots; Upload video, Snapshot to FTP server |

**• Interface**

|               |  |
|---------------|--|
| Local Storage | MicroSDHC/MicroSDXC memory card slot (card not included) |
|---------------|--|

**• General**

|                            |   |
|----------------------------|---|
| Power Source / Consumption | PoE Class 2 (IEEE802.3af) / 4.8 W (IR on)   |
| Weight                     | 704 g (1.29 lb)   |
| Dimensions (Ø x L)         | 77mm x 190mm (3.03" x 7.48")  |
| Bundled Accessories        | Bracket   |
| Environmental Casing       | Weatherproof (IP68); Vandal proof metal casing (IK10)   |
| Mount Type                 | Wall, Ceiling, Corner, Pole   |
| Starting Temperature       | -20 °C ~ 50 °C (-4 °F ~ 122 °F)   |
| Operating Temperature      | -40 °C ~ 50 °C (-40 °F ~ 122 °F)  |
| Operating Humidity         | 10% ~ 85% RH  |
| Approvals                  | CE (EN 55022 Class B, EN 55024), FCC (Part15 Subpart B Class B), IP68, IK10 (metal casing); NEMA 4X |

**• Integration**

|                         |  |
|-------------------------|--|
| Unified Solution        | Fully compatible with ACTi software  |
| ISV Integration         | Software Development Kit (SDK) available; ONVIF compliant  |
| Firmware Access Browser | Microsoft Internet Explorer 8.0 or newer (full functionality);<br>Safari with QuickTime installed, and other browsers with VLC installed (partial functionality) |

\* All specifications are subject to change without notice.

\* All brand names and registered trademarks are the property of their respective owners.

[www.acti.com](http://www.acti.com)