

## AXIS M11 Network Camera Series

Compact and affordable high-resolution cameras for professional surveillance.



- > Excellent image quality
- > Multiple H.264 streams
- > Power over Ethernet
- > Pixel counter
- > Digital PTZ

AXIS M11 Series offers professional and cost-effective fixed cameras suitable for a wide range of video surveillance applications, such as for retail and banking as well as libraries and other office buildings.

AXIS M11 Network Camera Series offer excellent image quality with progressive scan and providing crisp and clear images of both illuminated and low-light areas. AXIS M11 Series ranges from SVGA-resolution cameras to 1-megapixel cameras, which also provide HDTV 720p full frame rate video.

Multiple H.264 streams, as well as Motion JPEG streams, can be provided either in full frame rate or individually optimized for different quality needs and bandwidth constraints.

Power over Ethernet supplies power to the cameras via the network, eliminating the need for power cables and reducing installation costs.

The pixel counter further helps the installer verify that the pixel resolution of an object or face fulfills regulatory or specific customer requirements, for example, for facial identification purposes.

AXIS M11 Series supports digital pan/tilt/zoom, which allows a view cropped from the full view to be streamed for viewing or recording.



## Technical Specifications – AXIS M11 Network Camera Series

Camera	
<b>Models</b>	AXIS M1103, fixed focal lens: SVGA resolution AXIS M1104, fixed focal lens: 1 MP/HDTV 720p AXIS M1113, varifocal, DC-iris lens: SVGA resolution AXIS M1114, varifocal, DC-iris lens: 1 MP/HDTV 720p
<b>Image sensor</b>	1/4" progressive scan RGB CMOS
<b>Lens</b>	AXIS M1103 2.8 mm: 66° view*, F2.0, fixed iris, CS mount AXIS M1103 6 mm: 31° view*, F1.8, fixed iris, CS mount AXIS M1104 2.8 mm: 80° view*, F2.0, fixed iris, CS mount AXIS M1104 6 mm: 37° view*, F1.8, fixed iris, CS mount AXIS M1113: Varifocal 2.9 – 8.2 mm: 65° – 25° view*, F1.4, DC-iris, CS mount AXIS M1114: Varifocal 2.8 – 8 mm: 87° – 29° view*, F1.2, DC-iris, CS mount *horizontal angle of view
<b>Light sensitivity/Min. Illumination</b>	AXIS M1103/AXIS M1104 2.8mm: 1.0 – 100000 lux, F2.0 AXIS M1103/AXIS M1104 6mm: 0.9 – 100000 lux, F1.8 AXIS M1113: 0.6 lux, F1.4 AXIS M1114: 0.6 lux, F1.2
<b>Shutter time</b>	1/24 500 s to 1/6 s
Video	
<b>Video compression</b>	H.264 (MPEG-4 Part 10/AVC) Motion JPEG
<b>Resolutions</b>	AXIS M1103/AXIS M1113: 800x600 to 160x90 AXIS M1104/AXIS M1114: 1280x800 to 160x90* *1440x900 (1.3 MP) scaled resolution available via VAPIX®
<b>Frame rate H.264</b>	30 fps in all resolutions
<b>Frame rate Motion JPEG</b>	30 fps in all resolutions
<b>Video streaming</b>	Multiple, individually configurable streams in H.264 and Motion JPEG Controllable frame rate and bandwidth VBR/CBR H.264
<b>Pan/Tilt/Zoom</b>	Digital PTZ, preset positions, guard tour
<b>Image settings</b>	Compression, color, brightness, sharpness, contrast, white balance, exposure control, exposure zones, backlight compensation, fine tuning of behavior at low light, mirroring of images Rotation – including Corridor Format™ Text and image overlay, privacy mask
Network	
<b>Security</b>	Password protection, IP address filtering, HTTPS** encryption, digest authentication, user access log
<b>Supported protocols</b>	IPv4/v6, HTTP, HTTPS**, QoS Layer 3 DiffServ, FTP, SMTP, Bonjour, UPnP, SNMPv1/v2c/v3(MIB-II), DNS, DynDNS, NTP, RTSP, RTP, TCP, UDP, IGMP, RTCP, ICMP, DHCP, ARP, SOCKS

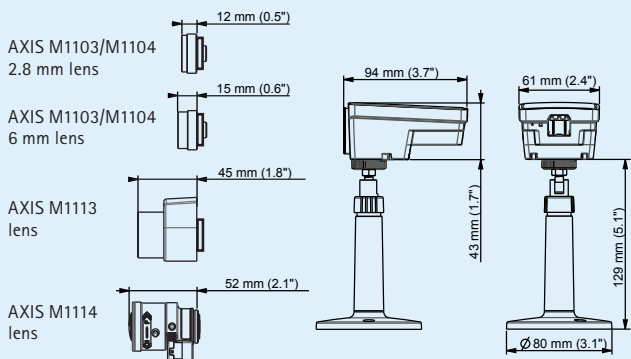
System integration	
<b>Application Programming Interface</b>	Open API for software integration, including VAPIX® from Axis Communications, specifications available at www.axis.com Support for AXIS Video Hosting System (AVHS) with One-Click Camera connection
<b>Intelligent video</b>	Video motion detection, active tampering alarm
<b>Alarm triggers</b>	Intelligent video
<b>Alarm events</b>	File upload via FTP, HTTP and email Notification via email, HTTP and TCP
<b>Video buffer</b>	25 MB pre- and post alarm
<b>Installation aids in software</b>	Pixel counter
General	
<b>Casing</b>	Aluminum and plastic
<b>Processor and memory</b>	ARTPEC-3, 128 MB RAM, 128 MB Flash
<b>Power</b>	Power over Ethernet IEEE 802.3af Class 1
<b>Connectors</b>	RJ-45 10BASE-T/100BASE-TX PoE
<b>Operating conditions</b>	-20 – 50°C (-4 – 122°F) Humidity 20 – 80% RH (non-condensing)
<b>Approvals</b>	EN 55022 Class B, EN 61000-3-2, EN 61000-3-3, EN 61000-6-1, EN 61000-6-3, EN 55024, FCC Part 15 Subpart B Class B, ICES-003 Class B, VCCI Class B, C-tick AS/NZS CISPR 22, KCC Class A, EN 60950-1
<b>Weight</b>	AXIS M1103/AXIS M1104: 170 g (0.37 lb.) AXIS M1113: 200 g (0.44 lb.) AXIS M1114: 210 g (0.46 lb.)
<b>Included accessories</b>	Stand, Installation Guide, CD with installation tools, recording software and User's Manual, Windows decoder 1-user license
<b>Optional accessories</b>	Various housings AXIS T8412 Installation Display AXIS P8221 Network I/O Audio Module AXIS Power over Ethernet Midspans Lenses
<b>Video management software (not incl.)</b>	AXIS Camera Station – Video management software for viewing and recording up to 50 cameras. For more software application via partners, see www.axis.com/products/video/software/

\*\* This product includes software developed by the OpenSSL Project for use in the OpenSSL Toolkit. (www.openssl.org)

More information is available at [www.axis.com](http://www.axis.com)

**use IP**  
www.use-ip.co.uk  
01304 827609

### Dimensions



### Optional accessories

AXIS T8412 Installation Display



AXIS P8221 Network I/O Audio Module



Lenses

