

2/3/4/5 Megapixel H.265+ Mini Bullet Network Camera



IP67

UI-2A63-PCV/UI-3B63-PCV/
UI-4C63-PCV/UI-5D63-PCV

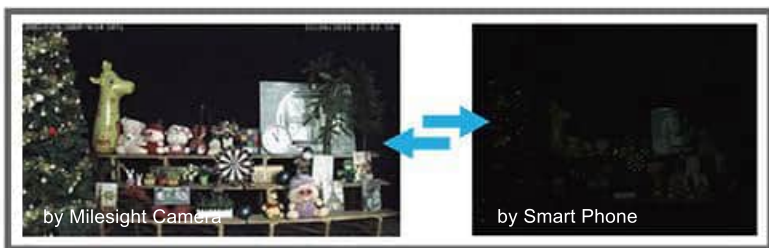
DATASHEET

KEY FEATURES

- ▶ **H.265+** (70~80% reduction in bandwidth, storage and bit rate compared with H.264.)
- ▶ **Powerful IR LEDs** (Equipped with 3rd generation dot matrix IR LEDs, guaranteeing excellent image quality, long lifespan and energy efficiency.)
- ▶ **Advanced Functions** (Boasting to support various advanced functions such as HLC, Defog, ROI.)
- ▶ **128G** (Supporting ultra-large external microSD/SDHC/SDXC card storage up to 128G.)
- ▶ **Adjustable 3-Axis Bracket** (Providing a robust mounting platform for angle adjustments on a 3-axis plane.)

Video Content Analysis

Milesight VCA with 8 detection modes provides advanced, accurate smart video analysis for Milesight network cameras, enabling the comprehensive surveillance function and quicker response to different monitoring scenes.

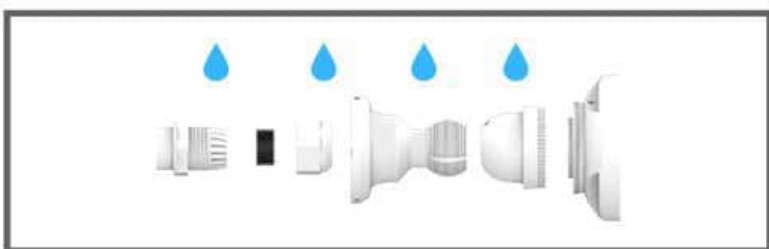


0.002Lux Ultra Low-light

The starlight camera is able to deliver high detailed color images even in low light environment reaching 0.002Lux(Color) or 0Lux(B/W), and near infrared light environments without any supplementary lighting.

140dB Super WDR

Milesight's sensor-based WDR technology allows the camera to record greater scene details with true color reproduction even under the extreme back light and high contrast conditions. The ratio that the brightest light signal values divided by the darkest light signal values is up to 140dB.



Weather-proof Design

For easy management and weather resistant, the camera is also equipped with a mounting bracket that conceals the cable within, offering a well-rounded protection of the cable from any water, dust or shock damages.

H.265 Mini Bullet Network Camera

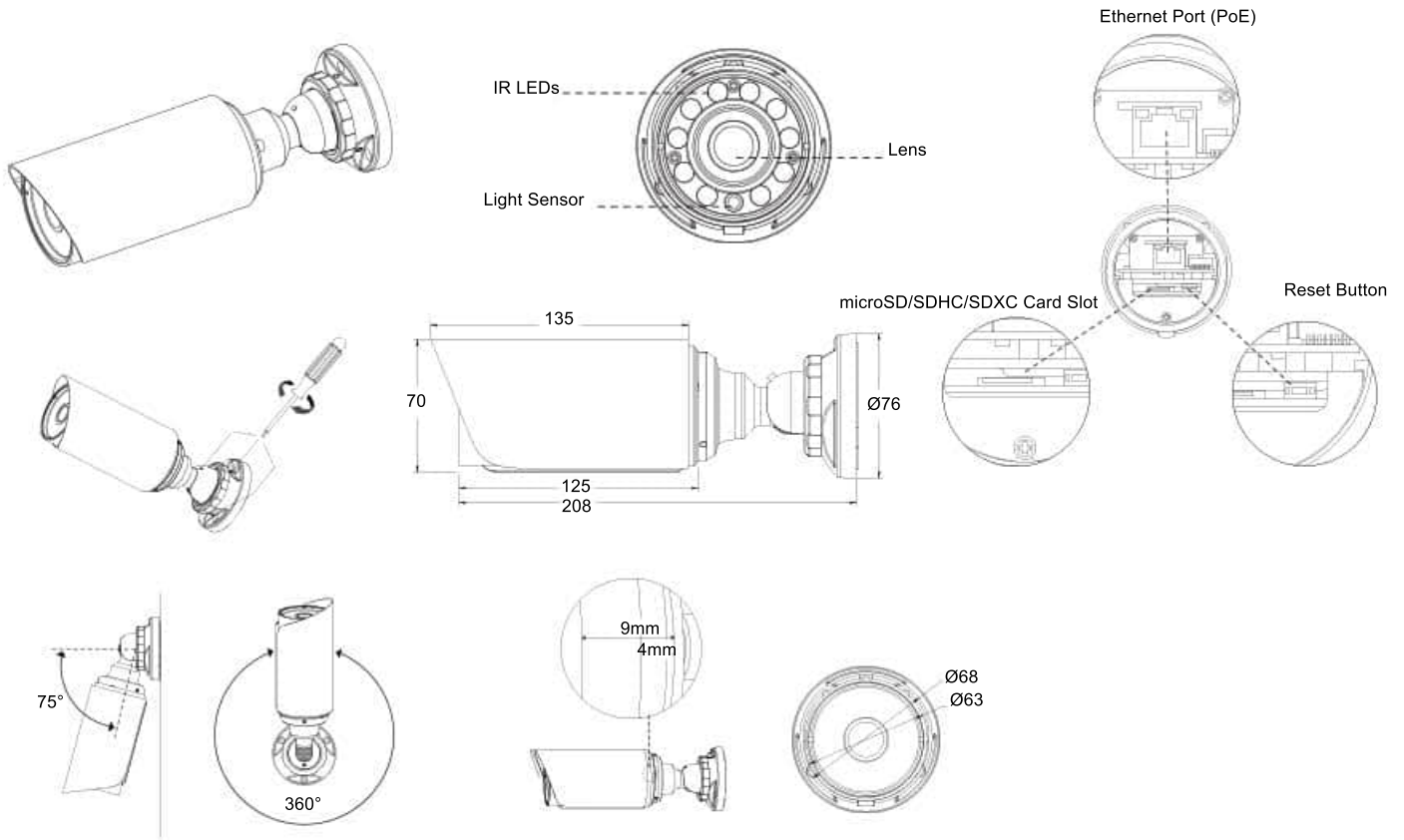


| | Model | UI-2A63-PCV (2MP) | UI-3B63-PCV (3MP) | UI-4C63-PCV (4MP) | UI-5D63-PCV (5MP) |
|----------------------|--|--|---|---|---|
| Camera | Image Sensor | 1/2.8" Progressive Scan CMOS | | 1/3" Progressive Scan CMOS | 1/2.9" Progressive Scan CMOS |
| | Min. Illumination | Color: 0.002Lux@F1.2 B/W: 0Lux with IR on | Color: 0.005Lux@F1.2 B/W: 0Lux with IR on | Color: 0.008Lux@F1.2 B/W: 0Lux with IR on | Color: 0.006Lux@F1.2 B/W: 0Lux with IR on |
| | WDR | Super WDR up to 140dB | | Super WDR up to 120dB | |
| | Lens | 4mm/6mm @F1.6 | | | |
| | Mount | M12 | | | |
| | Field of View | H78.8°/D90.7°/V43.9° (4mm) H53.8°/D62.4°/29.1° (6mm) | H72.6°/D91.1°/V54.3° (4mm) H49°/D62.2°/36.4° (6mm) | H73.3°/D85.5°/V42.5° (4mm) H50°/D58.5°/V28.8° (6mm) | H62.8°/D77.5°/V48.2° (4mm) H44°/D54.3°/V34.1° (6mm) |
| | Shutter Time | 1/100000s-1/5s | | | |
| | IR Distance | Up to 30m | | | |
| | Day&Night | ICR Filter Auto Switch | | | |
| Video | Max. Image Resolution | 1920×1080 | 2048x1536 | 2592×1520 | 2560×1920 |
| | Primary Stream | 30fps@(1920×1080, 1280×960, 1280×720, 704x576) | 30fps@(2048x1536, 1920×1080, 1280×960, 1280×720, 704x576) | 20fps@(2592×1520), 30fps@(2304x1296, 1920×1080, 1280×960, 1280×720, 704x576) | 20fps@(2560×1920, 2592×1520), 30fps@(2304x1296, 1920×1080, 1280×960, 1280×720, 704x576) |
| | Secondary Stream | 30fps(704x576, 640×480, 640×360, 352x288, 320x240, 320x192, 320x176) | | | |
| | Tertiary Stream | 30fps@(1920×1080, 1280×720, 704×576, 640×480, 640×360, 320×240, 320x192, 320x176) | | | |
| | Video Compression | H.265 ⁺ /H.265(HEVC)/H.264 ⁺ /H.264/MJPEG | | | |
| | Video Bit Rate | 16Kbps-16Mbps(CBR/VBR Adjustable) | | | |
| | Image Setting | Brightness/Contrast/Saturation/Sharpness | | | |
| Network | Ethernet | 1*RJ45 10M/100M Ethernet Port | | | |
| | Network Storage | NAS(Support NFS, SMB/CIFS) | | | |
| | Protocol | IPv4/IPv6, TCP, UDP, RTP, RTSP, RTCP, HTTP, HTTPS, DNS, DDNS, DHCP, FTP, NTP, SMTP, SNMP, UPnP, SIP, PPPoE, VLAN, 802.1x | | | |
| | Storage | Support microSD/SDHC/SDXC Card Local Storage, up to 128G | | | |
| | Advanced Function | Motion Detection, Privacy Masking, Backlight Compensation, HLC, 3D-DNR, ROI, Anti-fog | | | |
| | SIP/VoIP Support | Yes, Voice & Video-over-IP | | | |
| | Event Trigger | Motion Detection, Network Disconnection, etc. | | | |
| | Event Action | FTP Upload/ SMTP Upload/ SD Card Record/ SIP Phone | | | |
| Video Analysis | Region Entrance, Region Exiting, Advanced Motion Detection, Tamper Detection, Line Crossing, Loitering, Human Detection, People Counting | | | | |
| System Compatibility | ONVIF Profile S | | | | |
| General | Working Temperature | -30°C ~60°C | | | |
| | Working Humidity | 0-90%(Non-condensing) | | | |
| | Power Supply | PoE | | | |
| | Power Consumption | 2.5W MAX 5W MAX (With IR on) | 2.5W MAX 5.5W MAX (With IR on) | 2.5W MAX 5W MAX (With IR on) | 2.5W MAX 5W MAX (With IR on) |
| | Weather Proof | Up to IP67-rated for Weather-resistant Performance | | | |
| | Weight | 765g | | | |
| | Dimensions | Φ 76mmX208mm | | | |
| | Warranty | 3 Years | | | |

H.265+Mini Bullet Network Camera



Structure Diagrams



Units: mm

Accessories Support

A01 Pole mount with stainless steel straps

Weight: 720g
Dimensions: 170*51.5*152.6mm



A01-N Pole mount with stainless steel straps

Weight: 730g
Dimensions: 170*51.5*152.6mm



A02 Corner bracket

Weight: 540g
Dimensions: 170*23.2*205.3mm



A03 Corner bracket

Weight: 900g
Dimensions: 170*152.6*76.3mm



A63 Junction Box

Weight: 620g
Dimensions: 134*127*40mm



Naming Convention



www.use-ip.co.uk
01304 827609

Milesight Technology Co.,Ltd. | www.milesight.com



Add: 7509 N.W. 36th Street, Miami, Florida 33166, USA
Tel: +1-305-764-3474
Mail: sales@milesightusa.com

Add: 9F/901, Star Valley B/D Digital-ro 9gil 99, Geumcheon-gu, Seoul, Korea
Tel: +82-070-8996-8940
Mail: charley@milesight.co.kr

Add: No.23 Wanghai Road, 2nd Software Park, Xiamen, China
Tel: +86-592-5922772
Mail: sales@milesight.com

