

# A96

## 2MP Outdoor Mini Dome with D/N, Adaptive IR, Superior WDR, SLLS, Fixed Lens



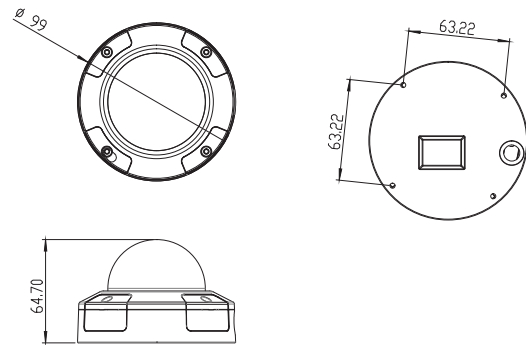
- 2 Megapixel
- Day & Night with Superior Low Light Sensitivity and Adaptive IR LED
- Fixed Lens with f2.8 mm, F2.0
- Superior WDR (120 dB)
- 30 fps at 1920 x 1080
- Weatherproof (IP66) and Vandal Proof (IK10)

### PHOTO INDICATION



- 1 Power Input
- 2 Ethernet Port
- 3 Power & System LED
- 4 Memory Card Slot
- 5 Reset Button

### DIMENSION DIAGRAM



Unit: mm

### ACCESSORY OPTIONS

| Power Supply |  |   |
|--------------|--|---|
| PPOE-0001    |  | IEEE 802.3af PoE Injector for Class 1, 2 or 3 devices, with universal adapter |
| PPBX-0012    |  | Power Adapter AC 100~240V (US), for A3x, A4x, A88, A9x, Z31, Z8x, Z9x         |
| PPBX-0013    |  | Power Adapter AC 100~240V (EU), for A3x, A4x, A88, A9x, Z31, Z8x, Z9x         |
| PPBX-0014    |  | Power Adapter AC 100~240V (UK), for A3x, A4x, A88, A9x, Z31, Z8x, Z9x         |

| Popular Mounting Solutions |                          |
|----------------------------|--------------------------|
| Surface                    | Accessories not required |
| Wall                       | PMAX-0318                |
| Pendant                    | PMAX-0111 + PMAX-1402    |
| Pole Mount                 | PMAX-0506 + PMAX-0318    |
| NPT Standard Mounts        | PMAX-0809 + PMAX-1402    |

\* For more mounting solutions, please refer to Project Planner on [www.acti.com](http://www.acti.com)

## PRODUCT SPECIFICATION

### A96

#### • Device

|                                  |  |
|----------------------------------|--|
| Device Type                      | Outdoor Mini Dome                                      |
| Image Sensor                     | Progressive Scan CMOS                                  |
| Sensor Size                      | 1/2.7"   |
| Effective Pixels                 | 1936 (H) x 1096 (V) (2.12 MP)                          |
| Day / Night                      | Yes  |
| Low Light Sensitivity            | Superior   |
| Minimum Illumination             | Color: 0.1 lux at F2.0, B/W: 0 lux at F2.0 (IR LED on) |
| Mechanical IR Cut Filter         | Yes  |
| IR Sensitivity Range             | 700 ~ 1100 nm  |
| IR LED                           | Adaptive IR LED x 4 (850 nm)                           |
| IR Working Distance              | 20 m   |
| Horizontal Resolution (TV Lines) | 1100 TVL   |

#### • Lens

|                          |                             |
|--------------------------|-----------------------------|
| Focal Length / Aperture  | Fixed Focal, f2.8 mm        |
| Aperture                 | F2.0                        |
| Iris                     | Fixed Iris                  |
| Focus                    | Fixed Focus                 |
| Lens Mount               | Board mount                 |
| Horizontal Viewing Angle | 90°                         |
| Viewing Angle Adjustment | Pan: ±120°; Tilt: 30° - 90° |

#### • Video

|                                |   |
|--------------------------------|---|
| Compression                    | H.265, H.264, MJPEG   |
| Max. Frame Rate vs. Resolution | 30 fps at 1920 x 1080, 30 fps at 1280 x 720, 30 fps at 640 x 480, 30 fps at 320 x 240                       |
| Multi-Streaming                | Simultaneous dual streams based on two configurations   |
| Bit Rate                       | 28 Kbps ~ 12 Mbps (per stream)  |
| Bit Rate Mode                  | Constant, Variable  |
| Wide Dynamic Range             | Superior WDR (120 dB)   |
| Image Enhancement              | White Balance, Brightness, Contrast, Sharpness, Automatic gain control, Digital Image Stabilizer, Defogging |
| Digital Noise Reduction        | 2D + 3D DNR   |
| Privacy Mask                   | 4 configurable regions  |
| Text Overlay                   | Yes   |
| On-Screen Graphics             | Yes   |
| Built-in Analytics             | Tampering Detection   |
| Image Orientation              | Image Flip, Mirror, Rotation  |

#### • Network

|                    |  |
|--------------------|--|
| Protocol & Service | IPv4/v6, TCP, UDP, DHCP, PPPoE, HTTP, HTTPS, DNS, DDNS, NTP, RTP, RTSP, RTCP, SMTP, FTP, IGMP, ICMP, ARP, Bonjour, UPnP, QoS, SNMP |
| Ethernet Port      | 1 x RJ-45 connector  |
| Security           | IP Address Filtering, HTTPS Encryption, Password Protected User Level, Anonymous Login   |

#### • Event

|                |   |
|----------------|---|
| Event Trigger  | Video motion detection (3 regions), Tampering detection   |
| Event Response | Notify control center, E-mail notification with snapshots, Saved video to local storage, Upload video or snapshot to FTP server, Upload video to NVR server |

#### • Interface

|               |  |
|---------------|--|
| Local Storage | MicroSDHC / MicroSDXC memory card slot (card not included) |
|---------------|--|

#### • General

|                       |  |
|-----------------------|--|
| Power Source          | DC 12V, PoE Class 3 (IEEE802.3af)                                |
| Power Consumption     | 5 W (PoE, IR on), 6 W (DC, IR on)                                |
| Weight                | 342 g ( 0.75 lb)   |
| Dimensions (Ø x H)    | 99 mm x 64.7 mm (3.9" x 2.55")                                   |
| Environmental Casing  | Weatherproof (IP66), Vandal proof (IK10)                         |
| Mount Type            | Surface, Wall, Pendant, Pole                                     |
| Starting Temperature  | -10°C ~ 50°C (14°F ~ 122°F)                                      |
| Operating Temperature | -20°C ~ 50°C (14°F ~ 122°F)                                      |
| Approvals             | CE (EN 55022 Class A, EN 55024), FCC (Part 15 Subpart B Class A) |

#### • Integration

|                         |                                     |
|-------------------------|-------------------------------------|
| Unified Solution        | Fully compatible with ACTi software |
| ONVIF Compliant         | Yes, Profile S, Profile G           |
| GPS Position            | Manual setting                      |
| Firmware Access Browser | Microsoft Internet Explorer 11      |