

QND-8011/8021

5MP Network Dome Camera

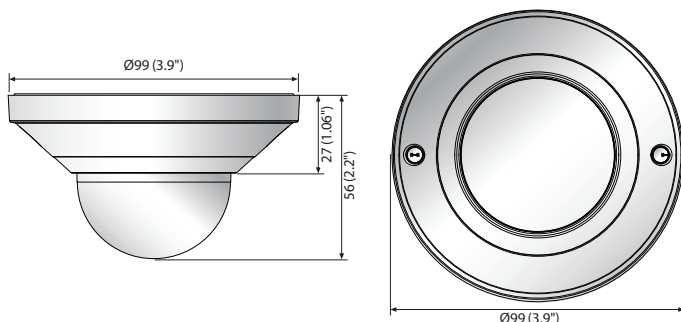


Key Features

- Max. 5Megapixel (2592 x 1944) resolution
- 2.8mm/4mm fixed lens
- 0.15Lux (Color), WDR (120dB)
- Max. 30fps@5MP (H.265 / H.264)
- H.265, H.264, MJPEG codec support, Multiple streaming
- Tampering, Motion detection, Defocus detection
- Micro SD / SDHC / SDXC memory slot (Max. 128GB)
- HDMI video out for easy installation and Public View Monitoring
- Hallway view, WiseStream II support
- LDC, PoE

Dimensions

Unit : mm (inch)



Accessories (Optional)



SBP-120WMW



SBV-116BW

| | QND-8011 | QND-8021 |
|-----------------------------------|--|------------------------------------|
| VIDEO | | |
| Imaging Device | 1/2.8" 5MP CMOS | |
| Effective Pixels | 2592(H) x 1944(V) | |
| Min. Illumination | Color : 0.15Lux (F2.0, 1/30sec) | Color : 0.15Lux (F1.6, 1/30sec) |
| Video Out | Micro HDMI (Type D) : 1080p@30/25fps (60/50Hz) | |
| LENS | | |
| Focal Length (Zoom Ratio) | 2.8mm fixed focal | 4mm fixed focal |
| Max. Aperture Ratio | F2.0 | F1.6 |
| Angular Field of View | H : 104.4° / V : 76.7° / D : 136.1° | H : 80.1° / V : 58.0° / D : 105.8° |
| Focus Control | Fixed | |
| PAN / TILT / ROTATE | | |
| Pan / Tilt / Rotate Range | 0°~350° / 0°~69° / 0°~355° | |
| OPERATIONAL | | |
| Camera Title | Displayed up to 85 characters | |
| Day & Night | Auto (Electrical) | |
| Backlight Compensation | BLC, WDR, SSSDR | |
| Wide Dynamic Range | 120dB | |
| Digital Noise Reduction | SSNR | |
| Motion Detection | 4ea, polygonal zones | |
| Privacy Masking | 6ea, rectangular zones | |
| Gain Control | Support | |
| White Balance | ATW / AWC / Manual / Indoor / Outdoor | |
| LDC | Support | |
| Electronic Shutter Speed | Minimum / Maximum / Anti flicker (1/5~1/12,000sec) | |
| Video Rotation | Flip, Mirror, Hallway view (90°/270°) | |
| Analytics | Defocus detection, Motion detection, Tampering | |
| Business Intelligence | People counting | |
| Alarm Triggers | Analytics, Network disconnect | |
| Alarm events | File upload via FTP and e-mail Notification via e-mail SD/SDHC/SDXC or NAS recording at event triggers | |
| NETWORK | | |
| Ethernet | RJ-45 (10/100BASE-T) | |
| Video Compression | H.265/H.264 : Main/High, MJPEG | |
| Resolution | 2592 x 1944, 1920 x 1080, 1280 x 960, 1280 x 720, 800 x 600, 800 x 448, 720 x 576, 720 x 480, 640 x 480, 640 x 360 | |
| Max. Framerate | H.265/H.264 : Max. 30fps/25fps (60Hz/50Hz) MJPEG : Max. 15fps/12fps (60Hz/50Hz) | |
| Smart Codec | WiseStream II | |
| Video Quality Adjustment | H.264/H.265 : Target bitrate level control MJPEG : Quality Level control | |
| Bitrate Control | H.264/H.265 : CBR or VBR MJPEG : VBR | |
| Streaming | Unicast (6 users) / Multicast Multiple streaming (Up to 3 profiles) | |
| Protocol | IPv4, IPv6, TCP/IP, UDP/IP, RTP(UDP), RTP(TCP), RTCP, RTSP, NTP, HTTP, HTTPS, SSL/TLS, DHCP, FTP, SMTP, ICMP, IGMP, SNMPv1/v2c/v3(MIB-2), ARP, DNS, DDNS, QoS, UPnP, Bonjour, LLDP | |
| Security | HTTPS (SSL) login authentication, Digest login authentication, IP address filtering, User access log, 802.1X authentication (EAP-TLS, EAP-LEAP) | |
| Edge Storage | Micro SD/SDHC/SDXC 1slot 128GB | |
| Application Programming Interface | ONVIF Profile S/G/T SUNAPI (HTTP API) Wisenet open platform | |

| | QND-8011 | QND-8021 |
|---|--|----------|
| Webpage Language | English, Korean, Chinese, French, Italian, Spanish, German, Japanese, Russian, Swedish, Portuguese, Czech, Polish, Turkish, Dutch, Hungarian, Greek | |
| Web Viewer | Supported OS : Windows 7, 8.1, 10, Mac OS X 10.12, 10.13, 10.14 Recommended Browser : Google Chrome Supported Browser : MS Explorer11, MS Edge, Mozilla Firefox (Windows 64bit only), Apple Safari (Mac OS X only) | |
| Memory | 512MB RAM, 256MB Flash | |
| ENVIRONMENTAL | | |
| Operating Temperature / Humidity | -10°C ~ +40°C (+14°F ~ +104°F) / Less than 90% RH | |
| Storage Temperature / Humidity | -30°C ~ +60°C (-22°F ~ +140°F) / Less than 90% RH | |
| Certification | IP42, IK08 | |
| ELECTRICAL | | |
| Input Voltage | PoE (IEEE802.3af, Class2) | |
| Power Consumption | PoE : Max 5W, typical 4W | |
| MECHANICAL | | |
| Color / Material | White / Plastic | |
| RAL Code | RAL9003 | |
| Product dimensions / weight | Ø99 x 56mm (Ø3.9 x 2.2"), 165g (0.364 lb) | |

* The latest product information / specification can be found at hanwha-security.com

* Design and specifications are subject to change without notice.

* Wisenet is the proprietary brand of **Hanwha Techwin**.