

DS-2CD6425G0-C1
2 MP Network Camera



 smart IPC

- 1/2.8" Progressive Scan CMOS
- 1920 × 1080 @ 30fps
- Three streams
- 120dB WDR
- 3D DNR
- 4 behavior analyses
- Audio and alarm I/O
- Smart encoding: low bit rate, low latency
- ROI



Specifications

Camera	
Image Sensor	1/2.8" Progressive Scan CMOS
Min. Illumination	Color: 0.005 Lux @(F1.2, AGC ON), 0.014 Lux @(F2.0, AGC ON) B/W: 0.0001 Lux @(F1.2, AGC ON), 0.0003 Lux @(F2.0, AGC ON)
Shutter Speed	1 s to 1/100,000 s
Slow Shutter	Yes
Auto-Iris	No
Day & Night	Electronic
Digital Noise Reduction	3D DNR
WDR	120 dB
Angle Adjustment	Not support
Lens	
Focal length	2.8 mm/3.7 mm/4.0 mm/6.0 mm
Aperture	L10, L20: F2.5 L30: F2.0
FOV	Pin-hole: 2.8 mm @ F2.5, horizontal FOV 88.2°, vertical FOV:48.8° 3.7 mm @ F2.5, horizontal FOV 71°, vertical FOV:39.3° M12: 2.8 mm @ F2.0, horizontal FOV 104°, vertical FOV:56.8° 4.0 mm @ F2.0, horizontal FOV 80°, vertical FOV:42.9° 6.0 mm @ F2.0, horizontal FOV 50°, vertical FOV:28.8°
Lens Mount	M12, pin hole
Compression Standard	
Video Compression	Main stream: H.265/H.264 Sub-stream: H.265/H.264/MJPEG Third stream: H.265/H.264
H.264 Type	Baseline Profile/Main Profile/High Profile
H.264+	Main stream support.
H.265 Type	Main Profile
H.265+	Main stream support.
Video Bit Rate	32 Kbps to 16 Mbps
Audio Compression	G.711/G.722.1/G.726/MP2L2/PCM
Audio Bit Rate	64Kbps(G.711)/16Kbps(G.722.1)/16Kbps(G.726)/32-192Kbps(MP2L2)
Smart Feature-set	
Behavior Analysis	Line crossing detection, intrusion detection, unattended baggage detection, object removal detection
Exception Detection	No
Face Detection	Yes
Region of Interest	1 fixed region for main stream and sub stream
Image	
Max. Resolution	1920 × 1080
Main Stream	H.265/H.264 50Hz: 25fps (1920 × 1080, 1280 × 960, 1280 × 720) 60Hz: 30fps (1920 × 1080, 1280 × 960, 1280 × 720)

Sub Stream	H.265/H.264/MJPEG	50Hz: 25fps (640 × 480, 640 × 360, 320 × 240) 60Hz: 30fps (640 × 480, 640 × 360, 320 × 240)
Third Stream	H.265/H.264	50Hz: 1fps (1920 × 1080, 1280 × 720, 704 × 576, 640 × 480, 640 × 360, 352 × 288, 320 × 240) 60Hz: 1fps (1920 × 1080, 1280 × 720, 704 × 480, 640 × 480, 640 × 360, 352 × 240, 320 × 240)
Image Enhancement	BLC, 3D DNR	
Image Setting	Rotate mode, saturation, brightness, contrast, sharpness, AGC, white balance adjustable by client software or web browser	
Target Cropping	No	
SVC	H.264 and H.265 encoding	
Day/Night Switch	Day/Night/Auto/Schedule/ Triggered by Alarm In	
Picture Overlay	No	
Network		
Network Storage	Micro SD/SDHC/SDXC card (128G), local storage and NAS (NFS,SMB/CIFS), ANR	
Alarm Trigger	Motion detection, video tampering alarm, network disconnected, IP address conflict, illegal login, HDD full, HDD error	
Protocols	TCP/IP, ICMP, HTTP, HTTPS, FTP, DHCP, DNS, DDNS, RTP, RTSP, RTCP, PPPoE, NTP, UPnP, SMTP, SNMP, IGMP, 802.1X, QoS, IPv6, UDP, Bonjour	
General Function	One-key reset, anti-flicker, three streams, heartbeat, password protection, privacy mask, watermark, IP address filter	
Firmware Version	V5.5.6	
API	ONVIF (PROFILE S, PROFILE G), ISAPI	
Simultaneous Live View	Up to 6 channels	
User/Host	Up to 32 users 3 levels: Administrator, Operator and User	
Client	iVMS-4200, iVMS-4500, iVMS-5200, Hik-Connect	
Web Browser	IE8+, Chrome31.0-44, Firefox30.0-51, Safari8.0+	
Interface		
Audio	1 input (line in), 1 output (line out), mono	
Alarm	1 input, 1 output (up to 24 VAC, 1A or 110 VAC, 500mA)	
Communication Interface	1 RJ45 10M/100M Ethernet port 1 VIN port 1 RS-485	
On-board storage	Built-in micro SD/SDHC/SDXC slot, up to 128 GB	
Reset Button	Yes	
Audio		
Environment Noise Filtering	Yes	
Audio Sampling Rate	Max. 48kHz	
General		
Operating Conditions	-10 °C to 40 °C (14 °F to 104 °F), humidity: 5% to 95% (non-condensing)	
Power Supply	12 VDC ± 20%, two-core terminal block, PoE: (802.3af, class 2)	
Power Consumption and Current	12 VDC ± 20%, 0.25 A, max. 3 W PoE: (802.3af, 36V-57V), 0.2A to 0.1A, Max: 3.5W	
Protection Level	No	

Material	Camera: Plastic Lens: Metal
Dimensions	Camera: 77.5 × 71 × 33.5 mm (3.1" × 2.8" × 1.3") L10: Ø26 × 32.7 mm (Ø1.0" × 1.3") L20: 37 × 26 × 15.1 mm (1.6" × 1.0" × 0.6") L30: Ø26 × 51.4 mm (Ø1.0" × 2.0")
Weight	Camera: 87 g (0.19 lbs.) With package: 220 g (0.49 lbs)

Available Model

- DS-2CD6425G0-C1: main unit,
- DS-2CD6425G0-L10: one cylindrical lens,
- DS-2CD6425G0-L20: one block-shaped lens,
- DS-2CD6425G0-L30: one tube lens,
- DS-2CD6425G0-10: main unit with one cylindrical lens,
- DS-2CD6425G0-20: main unit with one block-shaped lens,
- DS-2CD6425G0-30: main unit with one tube lens



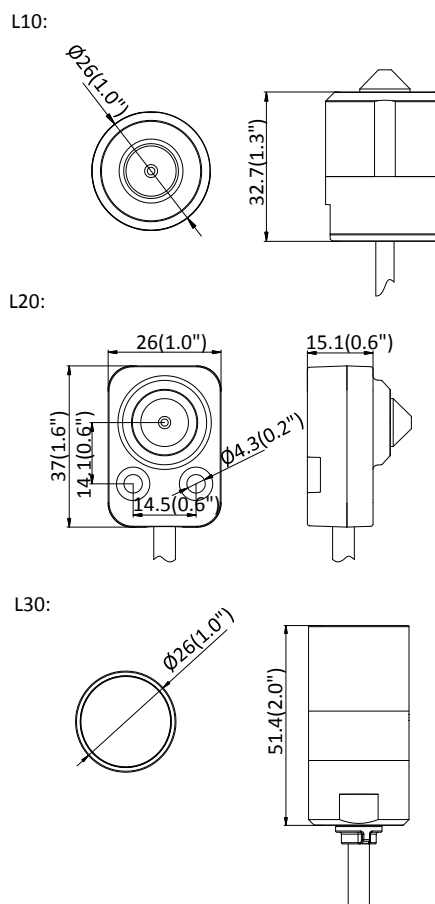
L10

L20

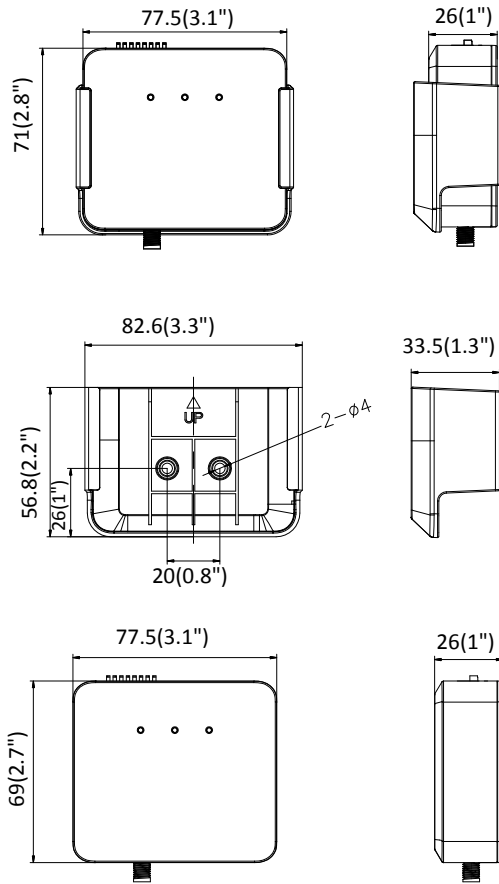
L30

**Connecting cable is included for each sensor unit*

Dimension



Camera:



Unit: mm (inch)



Distributed by

**HIKVISION®****Headquarters**

No.555 Qianmo Road, Binjiang District,
Hangzhou 310051, China
T +86-571-8807-5998
overseasbusiness@hikvision.com

Hikvision USA

T +1-909-895-0400
sales.usa@hikvision.com

Hikvision Australia

T +61-2-8599-4233
salesau@hikvision.com

Hikvision India

T +91-22-28469900
sales@pramahikvision.com

Hikvision Canada

T +1-866-200-6690
sales.canada@hikvision.com

Hikvision Thailand

T +662-275-9949
sales.thailand@hikvision.com

Hikvision Europe

T +31-23-5542770
sales.eu@hikvision.com

Hikvision Italy

T +39-0438-6902
info.it@hikvision.com

Hikvision Brazil

T +55 11 3318-0050
Latam.support@hikvision.com

Hikvision Turkey

T +90 (216)521 7070- 7074
sales.tr@hikvision.com

Hikvision Malaysia

T +601-7652-2413
sales.my@hikvision.com

Hikvision UK & Ireland

T +01628-902140
sales.uk@hikvision.com

Hikvision South Africa

Tel: +27 (10) 0351172
sale.africa@hikvision.com

Hikvision France

T +33(0)1-85-330-450
info.fr@hikvision.com

Hikvision Kazakhstan

T +7-727-9730667
nikia.panfilov@hikvision.ru

Hikvision Vietnam

T +84-974270888
sales.vt@hikvision.com

Hikvision UAE

T +971-4-4432090
salesme@hikvision.com

Hikvision Singapore

T +65-6684-4718
sg@hikvision.com

Hikvision Spain

T +34-91-737-16-55
info.es@hikvision.com

Hikvision Tashkent

T +99-87-1238-9438
uzb@hikvision.ru

Hikvision Hong Kong

T +852-2151-1761
info.hk@hikvision.com

Hikvision Russia

T +7-495-669-67-99
saleru@hikvision.com

Hikvision Korea

T +82-(0)31-731-8817
sales.korea@hikvision.com

Hikvision Poland

T +48-22-460-01-50
info.pl@hikvision.com

Hikvision Indonesia

T +62-21-2933759
Sales.Indonesia@hikvision.com

Hikvision Colombia

sales.colombia@hikvision.com