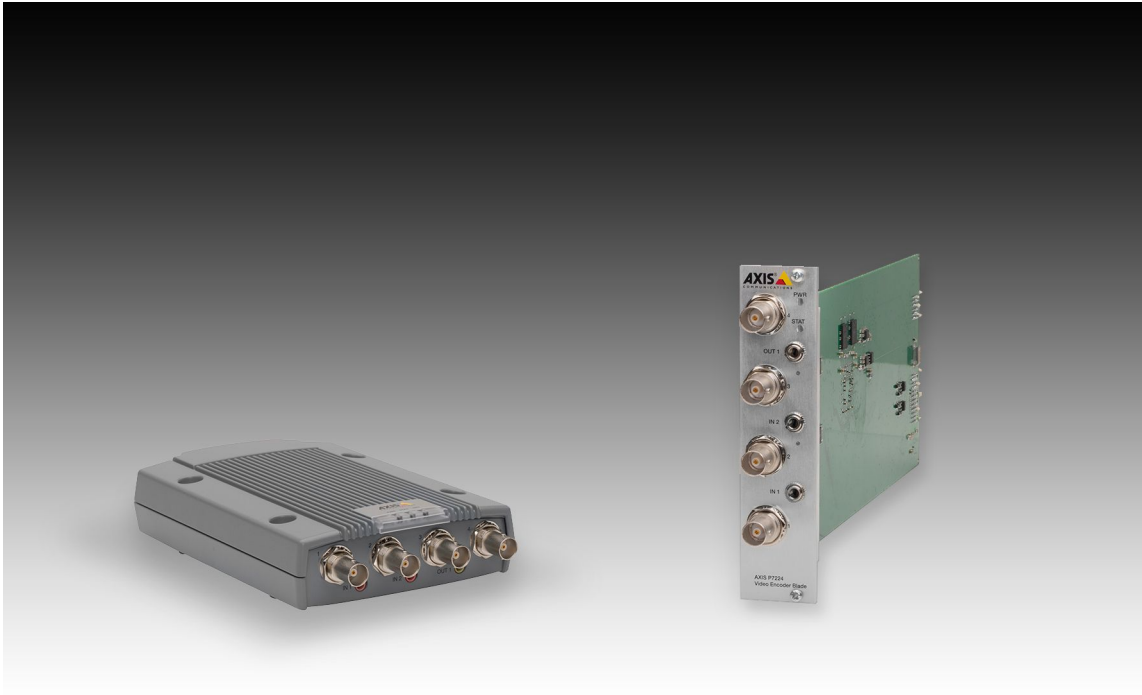


AXIS P72 Video Encoder Series

Full-featured, cost-effective video encoders with H.264



- > Full frame rate
- > Simultaneous H.264 and Motion JPEG streams
- > Edge storage
- > High resolution quad-view
- > Two-way audio
- > Power over Ethernet

AXIS P72 Video Encoder Series offers powerful, full-featured and efficient integration of analog cameras into an IP-based video surveillance system and is ideal for locations such as gas stations, convenience stores and small offices.

AXIS P72 Series enables a cost-effective way to gain all the benefits of professional network video without discarding existing analog investments. The video encoders offer advanced network capabilities with great video performance and excellent audio quality.

AXIS P72 Video Encoder Series comprises two 4-channel models: the standalone AXIS P7214 Video Encoder and AXIS P7224 Video Encoder Blade for use with an Axis video encoder chassis.

AXIS P72 video encoders offer one H.264 and one Motion JPEG stream per channel at full frame rate in all resolutions up to D1 (720x576 50 Hz or 720x480 60 Hz).

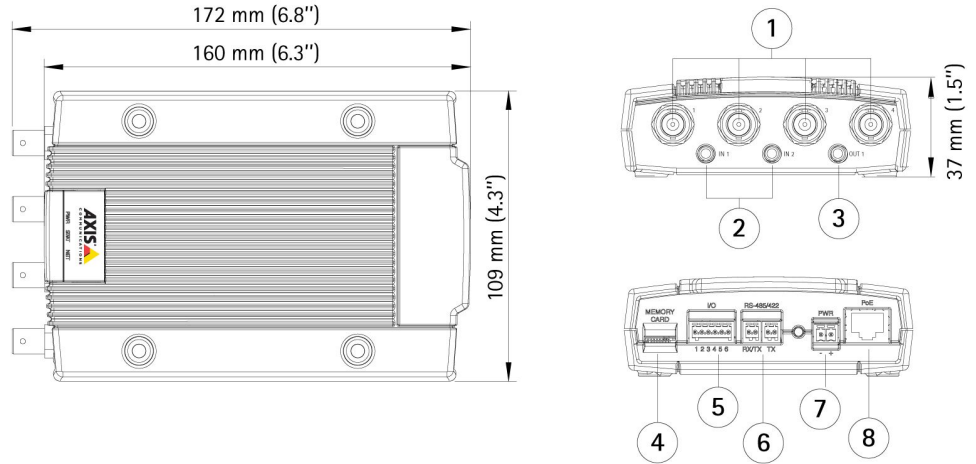
AXIS P72 Series offers two-way audio and intelligent video capabilities such as video motion detection, active tampering alarm and audio detection.

AXIS P72 Series includes support for Power over Ethernet (IEEE 802.3af), which enables the encoders to receive power through the network cable. The encoders also provide pan, tilt and zoom support, enabling control of analog PTZ cameras. AXIS P7214 also has a memory card slot for edge storage.



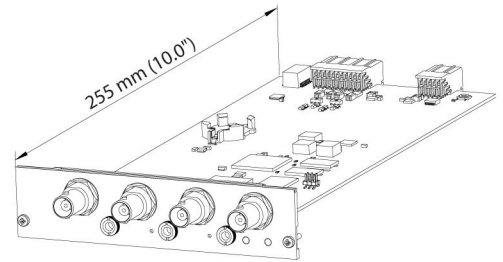
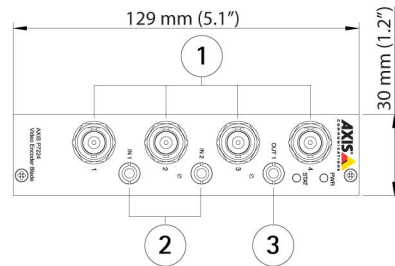
Dimensions - AXIS P7214 Video Encoder

1. Video inputs
2. Audio in
3. Audio out
4. Memory card
5. I/O
6. RS-485/RS-422 serial port
7. Power
8. Network connector



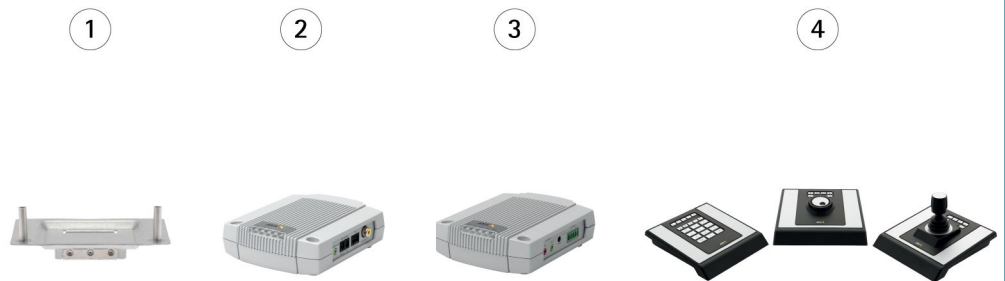
Dimensions - AXIS P7224 Video Encoder Blade

1. Video inputs
2. Audio in
3. Audio out



Accessories

1. AXIS T91A02 Din Rail Clip
86 mm (AXIS P7214 only)
2. AXIS P7701 Video Decoder
3. AXIS P8221 Network I/O Audio Module
4. AXIS T8310 Video Surveillance Control Board



Technical Specifications – AXIS P7214 Video Encoder

Video		System integration	
Video compression	H.264 Baseline and Main Profiles (MPEG-4 Part 10/AVC) Motion JPEG	Application Programming Interface	Open API for software integration, including VAPIX®, specifications at www.axis.com ONVIF Profile S, specifications at www.onvif.org
Resolutions	720x576 to 176x120, 1536x1152 to 176x120 for quad view	Intelligent video	Video motion detection, Active tampering alarm, Audio detection
Frame rate	H.264: 25/30 fps (50/60 Hz) 15 fps in quad view in full resolution Motion JPEG: 25/30 fps (50/60 Hz) 15 fps in quad view in full resolution	Event triggers	Intelligent video, External inputs, Video loss, Edge storage events
Video streaming	One individually configured H.264 and one Motion JPEG stream per channel at full frame rate More streams if identical or limited in frame rate/resolution Controllable frame rate and bandwidth VBR/CBR H.264	Event actions	File upload: FTP, HTTP, network share and email Notification: email, HTTP and TCP Video and audio recording to edge storage Pre- and post-alarm video buffering PTZ preset, Play audio clip, External output activation
Image settings	Compression, Color, Brightness, Contrast, Text and image overlay, Mirroring of images, Privacy mask, Aspect ratio correction, Enhanced deinterlace filter, Video termination, Antialiasing, Temporal noise filtering Rotation: 90°, 180°, 270°	Data streaming	Event data
Pan/Tilt/Zoom	Wide range of analog PTZ cameras supported ^a 100 presets/camera, Guard tour, PTZ control queue Supports Windows compatible joysticks	Built-in installation aids	Pixel counter
Audio		General	
Audio streaming	Two-way, full duplex and half duplex (2 mic/line inputs, 1 line output)	Casing	Standalone, metal casing, wall mount
Audio compression	In: AAC-LC 8 or 16 kHz 8–64 kbit/s G.711 μ -law PCM 8 kHz 64 kbit/s G.726 ADPCM 8 kHz 32 kbit/s or 24 kbit/s Out: G.711 μ -law PCM 8 kHz 64 kbit/s, μ -law PCM 16 kHz 128 kbit/s G.726 ADPCM 8 kHz 32 kbit/s or 24 kbit/s	Memory	512 MB RAM, 128 MB Flash
Audio input/output	External microphone input or line input Line level output Audio streaming, record (AU) and play uploaded (WAV, AU) clips AU (G.711 μ -law 8-bit 8/16 kHz mono), WAV (PCM 16-bit 8/16 kHz mono)	Power	8–20 V DC, max. 8 W; Power over Ethernet IEEE 802.3af/802.3at Type 1 Class 3
Connectors			DC input terminal block 4x analog composite video BNC inputs RJ45 10BASE-T/100BASE-TX PoE Terminal block for four configurable external inputs/outputs Terminal block for RS-485/RS-422 (full duplex) 2x 3.5 mm jacks for microphone or line input (mono) 3.5 mm jack for audio output (mono)
Network		Edge storage	MicroSD/microSDHC/microSDXC slot supporting memory card up to 64 GB (card not included) Support for recording to dedicated network-attached storage (NAS)
IP address	One IP address for four channels	Operating conditions	0 °C to 50 °C (32 °F to 122 °F) Humidity 20–80% RH (non-condensing)
Security	Password protection, IP address filtering, HTTPS ^b encryption, IEEE 802.1X ^b network access control, Digest authentication, User access log	Approvals	EN 55022 Class B, EN 55024, IEC/EN/UL 60950-1, EN 61000-3-2, EN 61000-3-3, EN 61000-6-1, EN 61000-6-2, FCC Part 15 Subpart B Class B, ICES-003 Class B, VCCI Class B, C-tick AS/NZS CISPR 22 Class B, KCC KN22 Class B, KN24
Supported protocols	IPv4/v6, HTTP, HTTPS ^b , SSL/TLS ^b , QoS Layer 3 DiffServ, FTP, CIFS/SMB, SMTP, Bonjour, UPnP™, SNMPv1/v2c/v3 (MIB-II), DNS, DynDNS, NTP, RTSP, RTP, TCP, UDP, IGMP, RTCP, ICMP, DHCP, ARP, SOCKS	Weight	570 g (1.26 lb)
		Included accessories	Installation Guide, Installation and Management Software CD, Windows decoder licenses, Power supply, Mounting and connector kits
		Video management software	AXIS Camera Companion (included), AXIS Camera Station and video management software from Axis' Application Development Partners (not included). For more information, see www.axis.com/products/video/software
		Warranty	Axis 3-year warranty, see www.axis.com/warranty

- a. Drivers available for download at www.axis.com
 b. This product includes software developed by the OpenSSL Project for use in the OpenSSL Toolkit (<http://www.openssl.org/>), and cryptographic software written by Eric Young (ey@cryptsoft.com).

Technical Specifications – AXIS P7224 Video Encoder Blade

Video	
Video compression	H.264 Baseline and Main Profiles (MPEG-4 Part 10/AVC) Motion JPEG
Resolutions	720x576 to 176x120, 1536x1152 to 176x120 for quad view
Frame rate	H.264: 25/30 fps (50/60 Hz) 15 fps in quad view in full resolution Motion JPEG: 25/30 fps (50/60 Hz) 15 fps in quad view in full resolution
Video streaming	One individually configured H.264 and one Motion JPEG stream per channel at full frame rate More streams if identical or limited in frame rate/resolution Controllable frame rate and bandwidth VBR/CBR H.264
Image settings	Compression, Color, Brightness, Contrast, Text and image overlay, Mirroring of images, Privacy mask, Aspect ratio correction, Enhanced deinterlace filter, Video termination, Antialiasing, Temporal noise filtering Rotation: 90°, 180°, 270°
Pan/Tilt/Zoom	Wide range of analog PTZ cameras supported ^a Support for one PTZ driver Multiple camera presets supported, Guard tour, PTZ control queue Supports Windows compatible joysticks
Audio	
Audio streaming	Two-way, full duplex and half duplex (2 mic/line inputs, 1 line output)
Audio compression	In: AAC-LC 8 or 16 kHz 8–64 kbit/s G.711 μ -law PCM 8 kHz 64 kbit/s G.726 ADPCM 8 kHz 32 kbit/s or 24 kbit/s Out: G.711 μ -law PCM 8 kHz 64 kbit/s, μ -law PCM 16 kHz 128 kbit/s G.726 ADPCM 8 kHz 32 kbit/s or 24 kbit/s
Audio input/output	External microphone input or line input Line level output Audio streaming, record (AU) and play uploaded (WAV, AU) clips AU (G.711 μ -law 8-bit 8/16 kHz mono), WAV (PCM 16-bit 8/16 kHz mono)
Network	
IP address	One IP address for four channels
Security	Password protection, IP address filtering, HTTPS ^b encryption, IEEE 802.1X ^b network access control, Digest authentication, User access log
Supported protocols	IPv4/v6, HTTP, HTTPS ^b , SSL/TLS ^b , QoS Layer 3 DiffServ, FTP, CIFS/SMB, SMTP, Bonjour, UPnP™, SNMPv1/v2c/v3 (MIB-II), DNS, DynDNS, NTP, RTSP, RTP, TCP, UDP, IGMP, RTCP, ICMP, DHCP, ARP, SOCKS
System integration	
Application Programming Interface	Open API for software integration, including VAPIX®, specifications at www.axis.com ONVIF Profile S, specifications at www.onvif.org
Intelligent video	Video motion detection, Active tampering alarm, Audio detection
Event triggers	Intelligent video, External inputs, Video loss, Edge storage events
Event actions	File upload: FTP, HTTP, network share and email Notification: email, HTTP and TCP Video and audio recording to edge storage Pre- and post-alarm video buffering PTZ preset, Play audio clip, External output activation
Data streaming	Event data
Built-in installation aids	Pixel counter
General	
Casing	Compatible with AXIS 291 1U Video Server Rack and AXIS Q7920 Video Encoder Chassis
Memory	512 MB RAM, 128 MB Flash
Power	12 V DC, max. 6 W
Connectors	4x analog composite video BNC inputs 1x Terminal block for four configurable external inputs/outputs (on back of rack) 1x Terminal block for RS-485/RS-422 (2-wire) 2x 3.5 mm jacks for microphone or line input (mono) 1x 3.5 mm jack for audio output (mono)
Edge storage	Support for recording to dedicated network-attached storage (NAS)
Operating conditions	0 °C to 45 °C (32 °F to 113 °F) Humidity 20–80% RH (non-condensing)
Approvals	EN 55022 Class B, EN 55024, EN 61000-3-2, IEC/EN/UL 60950-1, EN 61000-3-3, EN 61000-6-1, EN 61000-6-2, FCC Part 15 Subpart B Class B, ICES-003 Class B, VCCI Class B, C-tick AS/NZS CISPR 22 Class B, KCC KN22 Class A, KN24 EN 55022 Class B for AXIS 291 1U Video Server Rack and AXIS Q7920 Video Encoder Chassis
Weight	210 g (0.46 lb)
Included accessories	Installation Guide, Installation and Management Software CD, Windows decoder licenses
Video management software	AXIS Camera Companion (included), AXIS Camera Station and video management software from Axis' Application Development Partners (not included). For more information, see www.axis.com/products/video/software
Required hardware	AXIS 291 1U Video Server Rack or AXIS Q7920 Video Encoder Chassis
Warranty	Axis 3-year warranty, see www.axis.com/warranty

- a. Drivers available for download at www.axis.com
b. This product includes software developed by the OpenSSL Project for use in the OpenSSL Toolkit (<http://www.openssl.org/>), and cryptographic software written by Eric Young (ey@cryptsoft.com).

More information is available at www.axis.com