

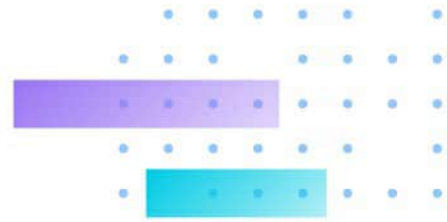
# SD9368-EHL

Speed Dome Network Camera

2MP • H.265 • 40x Optical Zoom • WDR Pro • Smart Stream III • SNV

- 60 fps @ 1920x1080
- 40x Optical Zoom, Auto Focus
- 360° Continuous Pan, -20° to 90° (auto flip) Tilt
- 250M IR with Smart IR
- Weather-proof IP66-rated, Vandal-proof IK10 and NEMA 4X-rated Housing
- -40°C ~ 60°C Wide Temperature Range for Extreme Weather Conditions
- EIS (Electronic Image Stabilization) for Image Stability
- Trend Micro IoT Security
- Smart Tracking Advanced for Moving People with People-based Deep Learning Technology





# Technical Specifications

## System Information

Model	SD9368-EHL
CPU	Multimedia SoC (System-on-Chip)
Flash	8 GB
RAM	2 GB

## Camera Features

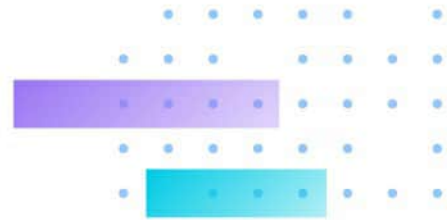
Image Sensor	1/2.8" Progressive CMOS
Max. Resolution	1920x1080 (2MP)
Lens Type	40x Optical Zoom, Auto Focus
Focal Length	f = 4.25 ~ 170 mm
Aperture	F1.6 ~ F4.95
Iris Type	DC-iris
Field of View	65.70° ~ 1.88° (Horizontal) 39.39° ~ 1.09° (Vertical) 73.03° ~2.13° (Diagonal)
Shutter Time	1 sec. to 1/100,000 sec.
WDR Technology	WDR Pro
Day/Night	Yes
Removable IR-cut Filter	Yes
IR Illuminators	Built-in IR Illuminators up to 250 meters with Smart IR, IR LED*8
Minimum Illumination	0.04 lux @ F1.6 (Color) 0.005 lux @ F1.6 (B/W) 0 lux with IR illumination on
Pan Speed	Preset speed: 450°/s
Pan Range	360° endless
Tilt Speed	Preset speed: 450°/s
Tilt Range	-20° to 90° (auto flip)
Preset Locations	256 preset locations
Pan/Tilt/Zoom Functionalities	32x digital zoom (4x on IE plug-in, 8x built in) Auto Pan mode Auto Patrol mode Mechanical Auto flip
Storage	Seamless Recording to MicroSD/SDHC/SDXC card and recording to network-attached storage (NAS)
Built-in Installation Aids	Remote focus, remote zoom

## Video

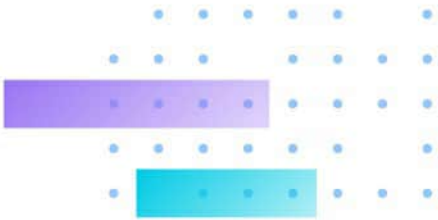
Video Compression	H.265, H.264, MJPEG
Maximum Frame Rate	60 fps @ 1920x1080
Maximum Streams	3 video streams (Up to 8 configurable profiles)
S/N Ratio	60 dB
Dynamic Range	120 dB
Video Streaming	Adjustable resolution, quality and constant bitrate control, Smart Stream III
Image Settings	General settings: video title and time stamp overlay, video orientation (flip, mirror), day/night settings; Illuminators: illuminators, anti-overexposure; Image settings: white balance, image adjustment (brightness, contrast, saturation, sharpness, gamma curve), defog, HLM, 3DNR, EIS, scene mode (auto, deblur); Exposure: BLC, HLC, exposure control (exposure level, iris adjustment, exposure time, gain control, iris mode), AE speed adjustment, WDR; Focus; Privacy mask; Scheduled profile settings; Pixel calculator

## Audio

Audio Capability	Two-way audio (Full duplex)
Audio Compression	G.711, G.726



Audio Interface	External line input External line output
<b>Network</b>	
Users	Live viewing for up to 10 clients
Security	Access list, digest authentication, HTTPS, IEEE 802.1x, password protection, secure boot, signed firmware, Trend Micro IoT Security (brute force attack event, cyberattack event, quarantine event), user access log, user account management
Protocols	802.1X, ARP, Bonjour, CIFS/SMB, DDNS, DHCP, DNS, FTP/SFTP, HTTP, HTTPS, ICMP, IGMPv3, IPv4, IPv6, NTP, PPPoE, QoS (CoS/DSCP), RTSP/RTP/RTCP, SMTP, SNMP, SSL, TCP/IP, TLS 1.2, UDP, UPnP
Interface	10 Base-T/100 Base-TX Ethernet (RJ-45) *It is highly recommended to use standard CAT5e & CAT6 cables which are compliant with the 3P/ETL standard.
ONVIF	Profile G, S, T supported, specification available at <a href="http://www.onvif.org">www.onvif.org</a>
<b>Solution Integration</b>	
Smart Tracking Advanced	Smart tracking Advanced (Default, license embedded; including intrusion detection, loitering detection, line crossing detection, face detection)
VADP Package	Smart Tracking Advanced, Trend Micro IoT Security (3-year free trial), Stratocast
<b>Alarm and Event</b>	
Event Trigger	Audio detection, camera tampering detection, cybersecurity events (brute force attack event, cyberattack event, quarantine event), digital input, manual trigger, motion detection, periodical trigger, recording notification, SD card life expectancy, smart tracking advanced trigger, system boot, preset reached
Event Action	Event notification via audio clip, camera link, digital output, email, HTTP, FTP, NAS server, SD card File upload via email, HTTP, FTP, NAS server, SD card; trigger track, trigger patrol, move to preset
<b>General</b>	
Connectors	RJ-45 cable connector for 10/100 Mbps PoE network connection Audio line input Audio line output DC 48V power input AC 24V power input Digital input*2 Digital output*1
LED Indicator	System power and status indicator
Power Input	AC 24V, DC 48V, IEEE 802.3 bt Class 6 PoE (Simultaneous Power Redundancy Supported)
Power Consumption	PoE: Max. 51W/26W (IR on/off) DC 48V: Max. 51W/26W (IR on/off) AC 24V: Max. 51W/26W (IR on/off)
Dimensions	256 x 336 mm
Weight	7.1 kg
Certifications	EMC: CE (EN 55032 Class A, EN55035, EN50121-4), UKCA (BS EN 55032: 2015 +A11: 2020, BS EN 55035: 2017), FCC (FCC Part 15 Subpart B Class A), IC (ICES-003:2020 Issue7, Class A), RCM (AS/NZS CISPR 32 Class A), VCCI (VCCI-CISPR 32 Class A); Safety: UKCA (BS EN 62368-1:2014+A11:2017), UL (UL 62368-1), CB (IEC/EN 62368-1, IEC/EN 60950-22, IEC/EN 62471); Environment: IK10 (IEC 62262), IP66 (IEC 60529), NEMA (NEMA 250 Type 4X); IA: BIS (IS 13252), BSMI
Operating Temperature	Starting Temperature: -40°C ~ 55°C (-40°F ~ 131°F) Working Temperature: -40°C ~ 60°C (-40°F ~ 140°F) (IR on)
Humidity	98% RH (non-condensing)
Warranty	36 months
<b>System Requirements</b>	
Operating System	Microsoft Windows 10/8/7 Mac 10.12 (Chrome only)
Web Browser	Chrome 58.0 or above Internet Explorer 10/11
Other Players	VLC: 1.1.11 or above
<b>Included Accessories</b>	

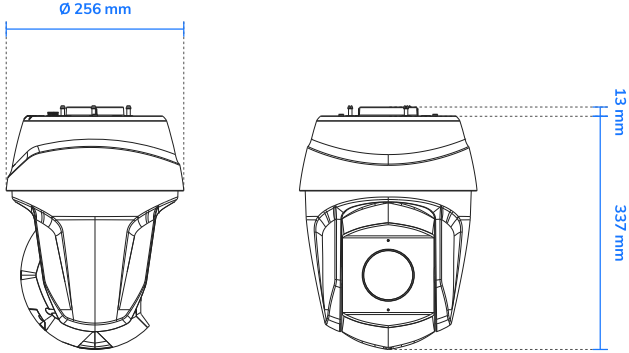


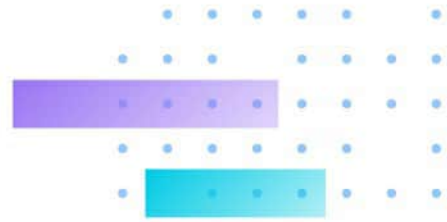
Packing Contents Wall mount bracket, Quick installation guide, alignment sticker, screw pack, desiccant bag, waterproof accessory bag, conduit ring, terminal block

**DORI (EN 62676-4 Standard)**

Detect (25PPM/ 8PPF)	Wide: 61.1 m (200.4 ft) Tele: 2239 m (7345.7 ft)
Observe (63PPM/ 19PPF)	Wide: 24.2 m (79.5 ft) Tele: 888.5 m (2914.9 ft)
Recognize (125PPM/ 38PPF)	Wide: 12.2 m (40 ft) Tele: 447.8 m (1469.1 ft)
Identify (250PPM/ 76PPF)	Wide: 6.1 m (20 ft) Tele: 223.9 m (734.5 ft)

**Dimensions**





## Compatible Accessories

### Mounting Kit



AM-220  
Wall Mount Bracket

### Mounting Kit



AM-529  
Mounting Adapter for Speed Dome

### Power Adaptor



HLG-80H-48  
80W Single Output Switching Power Supply - 48V

### Power Adaptor



NDR-75-48  
75W Single Output Industrial DIN RAIL - 48V

### PoE Kit



AP-GIC-011A-060  
Indoor 1xGE 60W High Power UPoE Injector

### PoE Kit



AP-GIC-015B-095  
Outdoor 1xGE 95W PoH/PoE Injector with Adaptor

### PoE Kit



AW-GEH-043A-120  
2xGE 95W PoH/PoE + 2xGE SFP Switch

### PoE Kit



AW-IHH-0110  
Industrial 1xGE 95W PoH/PoE Injector

### PoE Kit



AW-IHH-0410  
Industrial 2xGE 95W PoH/PoE + 2xGE SFP Switch

### Power Adaptor



AA-352  
Power Box, IP67, IK10

### IO Cable



AO-008  
Combo cable for speed dome

### Water Proof Connector



AN4000  
Cable Gland for IO, 8 pins,  $\Phi$ 1.1~1.6mm