

Revision History:

Rev. 1.0: Initial release

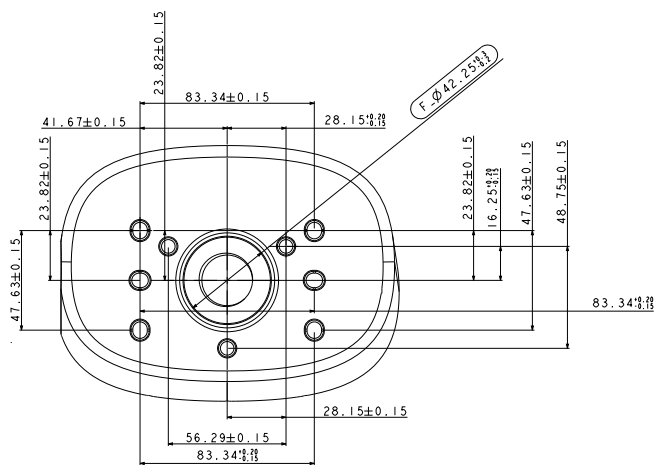
Accessory Ordering part no.: 100228700G

Compatible VIVOTEK Cameras

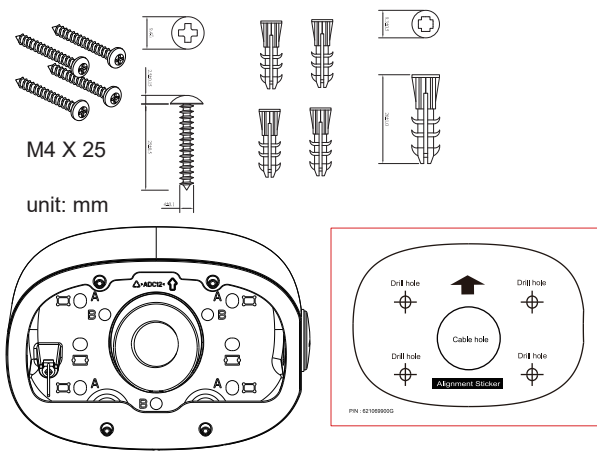
Compatible cameras/brackets

MS9390-HV

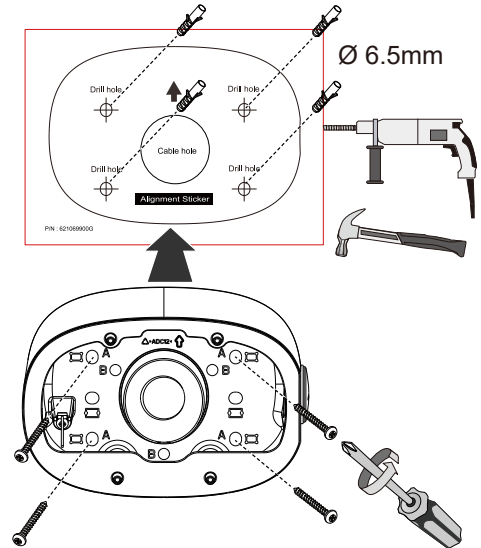
Mounting Dimensions



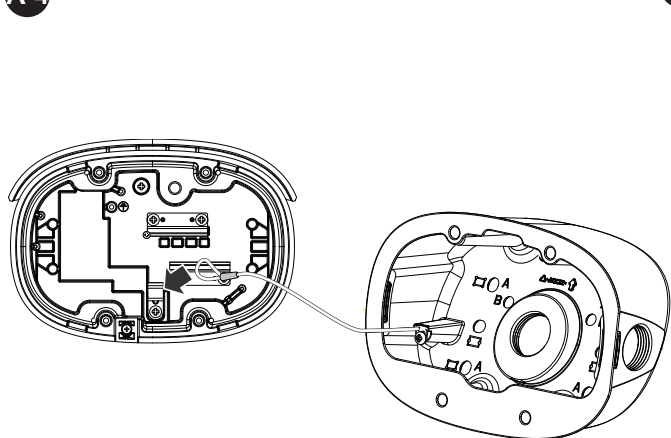
Package Contents



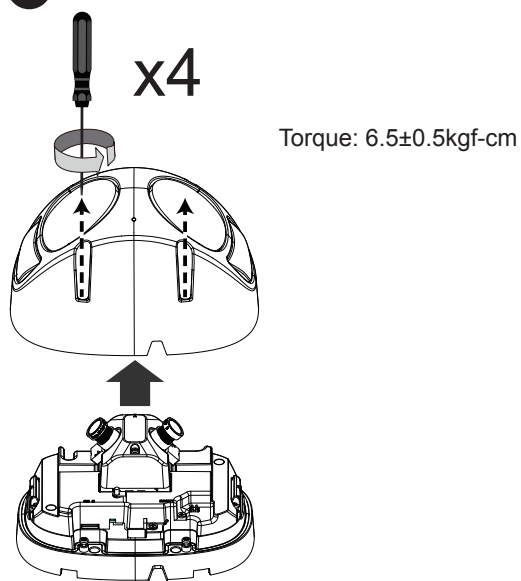
A-2 Attach the included alignment sticker to a preferred position. Drill holes on the wall and install the tilt bracket. If the space behind the wall allows, you may also pass cables through the wall.



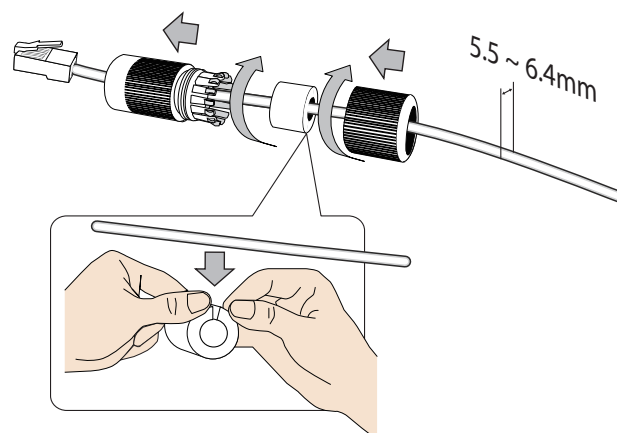
A-4 Attach the tether wire to the back of the camera.



A-3 Remove the top cover from your camera.

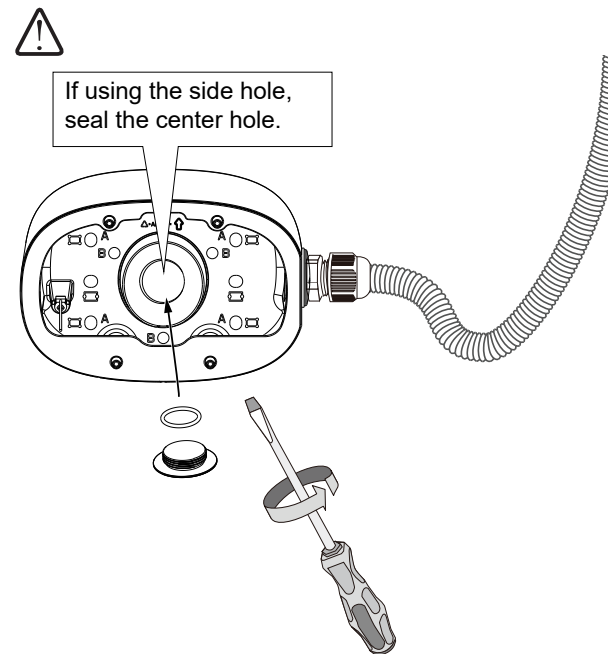
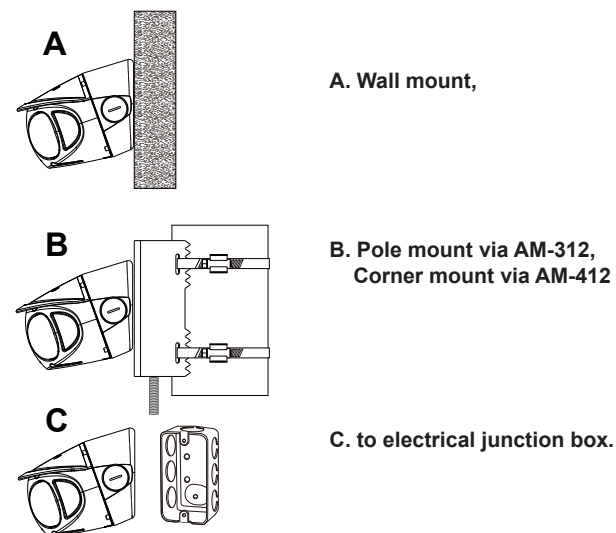


A-5 Install the waterproof components of the cable gland to your Ethernet cable following the QIG of your camera. The cable gland will be placed within the protection of the tilt bracket.

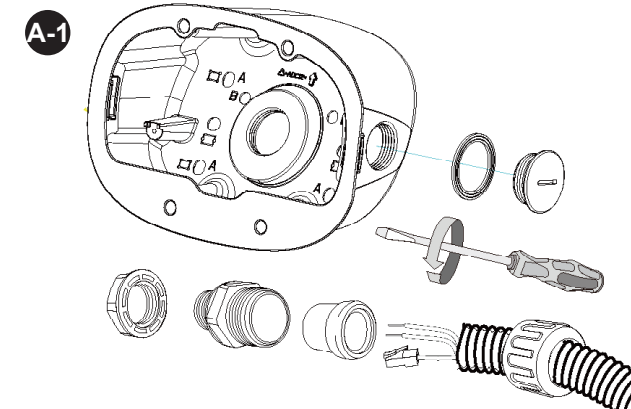


Installation

There are 3 mount types:

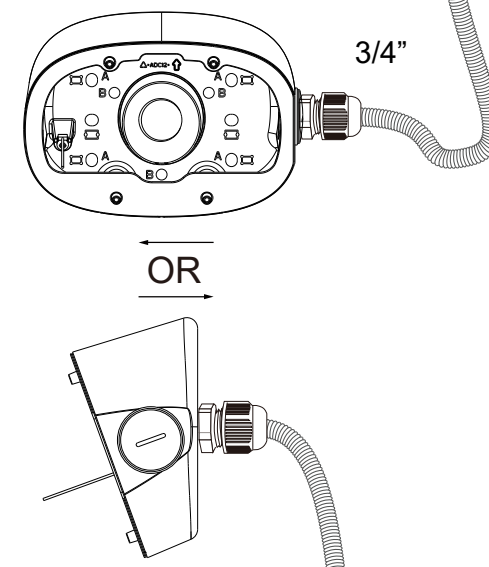


A Remove the plastic plug on the conduit hole. A 3/4" conduit is required for routing the cables with waterproof connection.

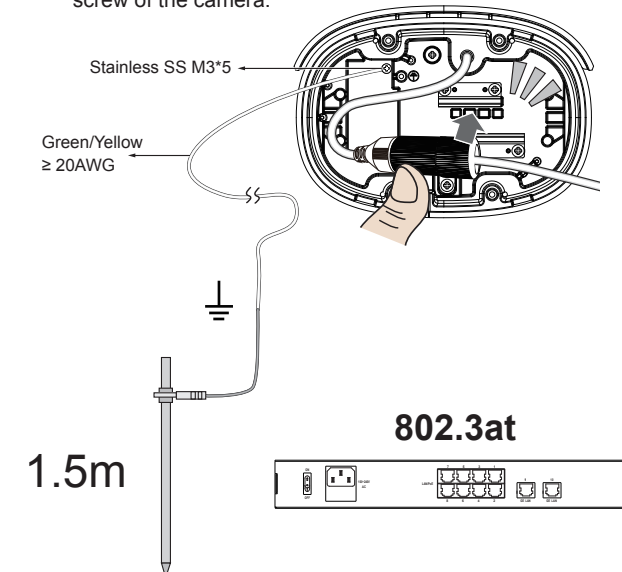


Install the cable gland and pass cables through it. The conduit is user-supplied.

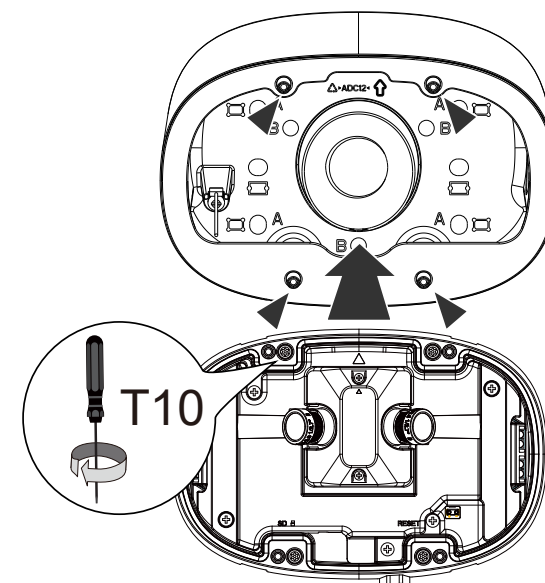
Install the cable conduit before wall-mounting. The conduit can be installed from the side or through the center hole.



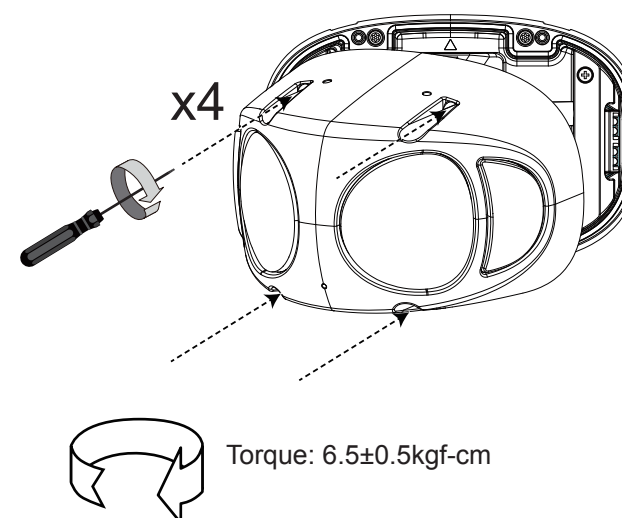
A-6 Attach the waterproof cable gland to the retention clips at the back of the camera. Connect a grounding wire to the ground screw of the camera.



A-7 Install the camera to the tilt bracket by fastening 4 T10 screws.

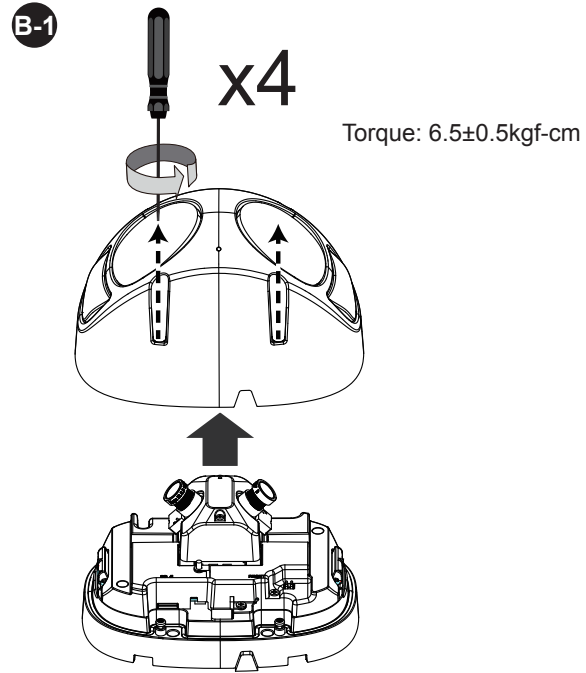


A-8 Install the dome cover to the camera.

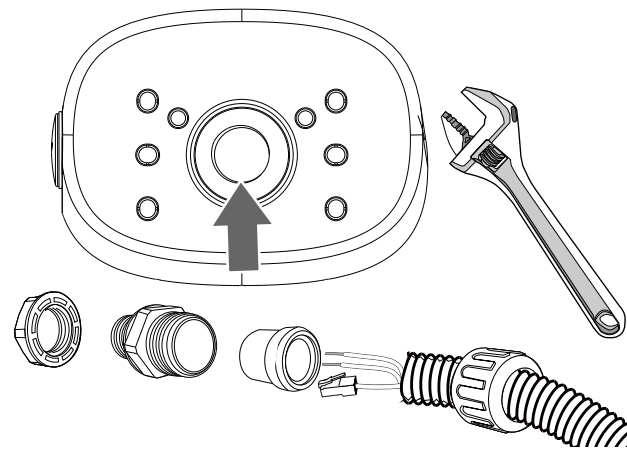


Open a live view console and adjust the shooting direction. Refer to the camera's QIG for more information.

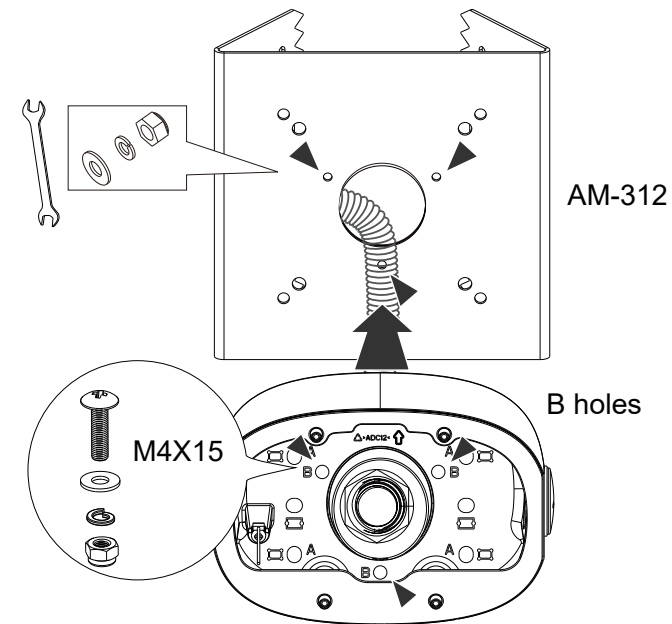
B Remove the top cover from the camera.



B-2 Install a 3/4" conduit to the center hole. A 3/4" conduit is required for routing the cables with waterproof connection.



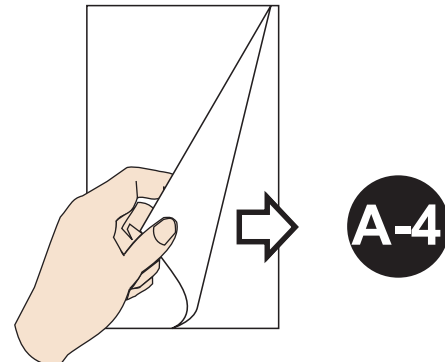
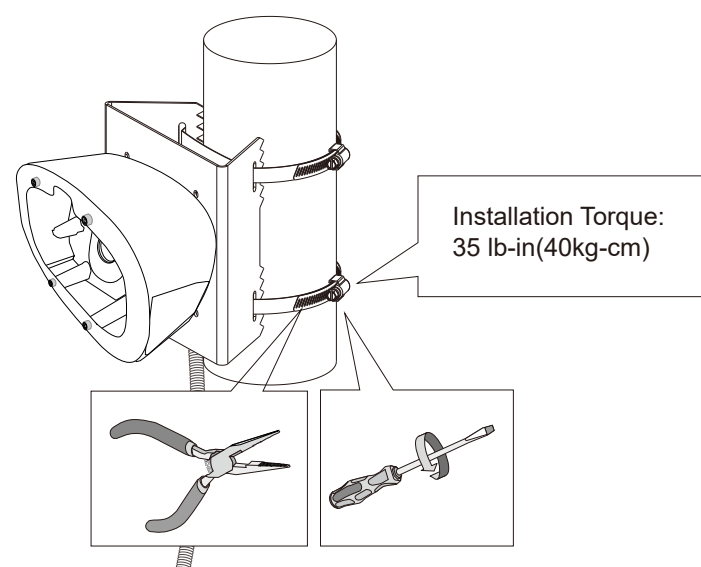
B-3 Install the tilt bracket to AM-312 using the included M4 screws, washers and hex nuts. Pass the conduit through the center hole of the AM-312.



B-4

1. Pass the stainless steel straps through the bracket and around the pole.
2. Tighten the straps using a pincer plier and a flat blade screwdriver.

Refer to Step A-4 for the rest of the installation process.



C The tilt bracket supports the installation to the following electrical boxes:

1. Cantex 3/4" type FSE 2 Gang, Outdoor/Indoor electrical box.
2. Generic 3/4" conduit box enclosure, 3/5 holes.
3. Single rectangular handy box.

The rest of the installation steps are identical to those described above.

