

VIVOTEK

A Delta Group Company



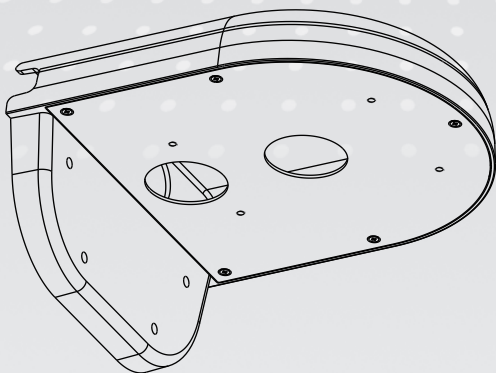
VIVOTEK Fixed Dome & Fisheye Series **Wall-mount Bracket**

Installation Guide

Using AM-210 wall-mount bracket
and compatible accessories

Corresponding part numbers:

909B00100G

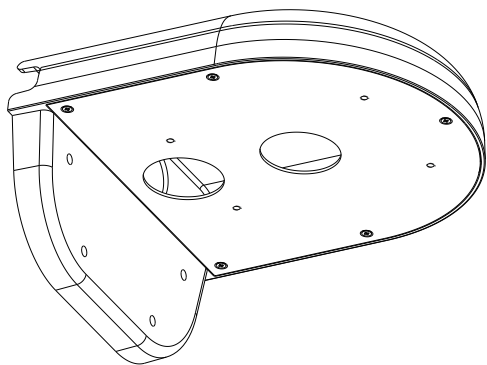


Rev. 1.0

Part no.: 625076300G

Revision History:
* Rev. 1.0: Initial Release

AM-210 Wall-mount Bracket



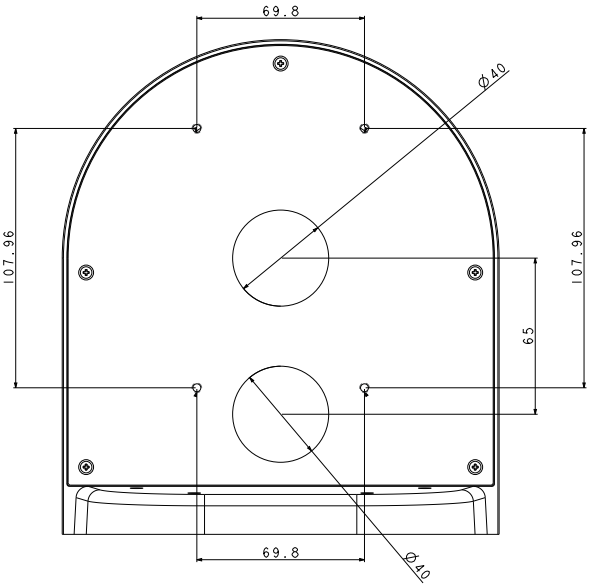
I Compatible VIVOTEK Cameras

Fixed Dome series	FD9167-HT-v2, FD9367-EHTV-v2, FD9365-EHTV-v2, FD9391-EHTV-v2
Fisheye series	FE9380-HV, FE9382-EHV-v2, FE9391-EHV-v2

You may also refer to VIVOTEK's website for the list of supported models. Support for other models can be available through time.

II Installation

Mounting Hole Definitions

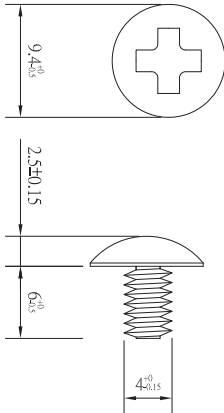


For cabling and configuration details with each network camera, please refer to their documentation.


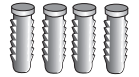
Refer to the table below for the description of the included screws:

Screw Description	No. of screws	Material char.
T4x6	4	Truss head

T4 x 6



Below are the screws and anchors for installing the bracket to wall:

Screw Description	Quantity	Applies to	
M4X40mm Phillips pan head	4	Securing the bracket to wall	
Plastic anchors, 3/16" in diameter, 1" in length	4	Securing the bracket to wall	



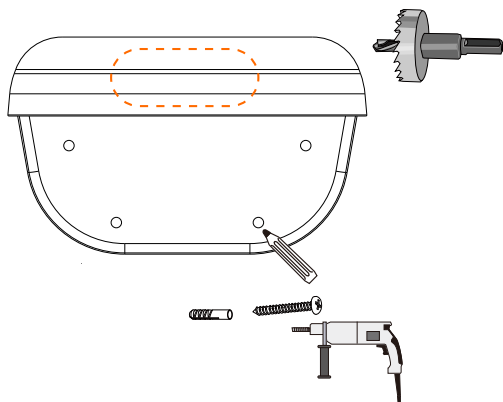
NOTE:

1. It is presumed that this wall-mount bracket is installed with a hole drilled on the wall for routing power lines, DI/DO, and Ethernet cables.
2. Route cables before you secure the wall-mount bracket to a wall.
3. For details on the cable connections with each camera, please refer to their Quick Installation Guide.

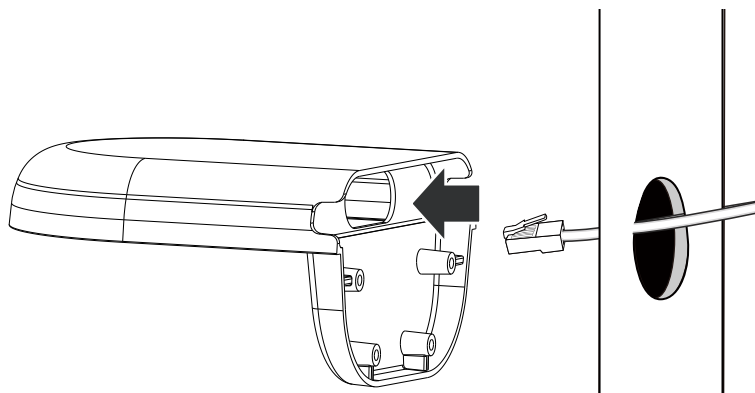
Wall Mount Installation

Below is a general, sample procedure using a wall mount bracket:

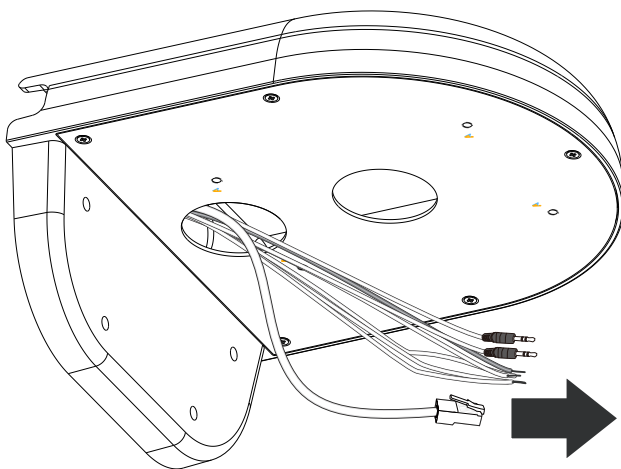
1. Locate the position where you want to install the wall mount bracket and camera. Drill holes on the wall for securing the bracket and for routing the cables.



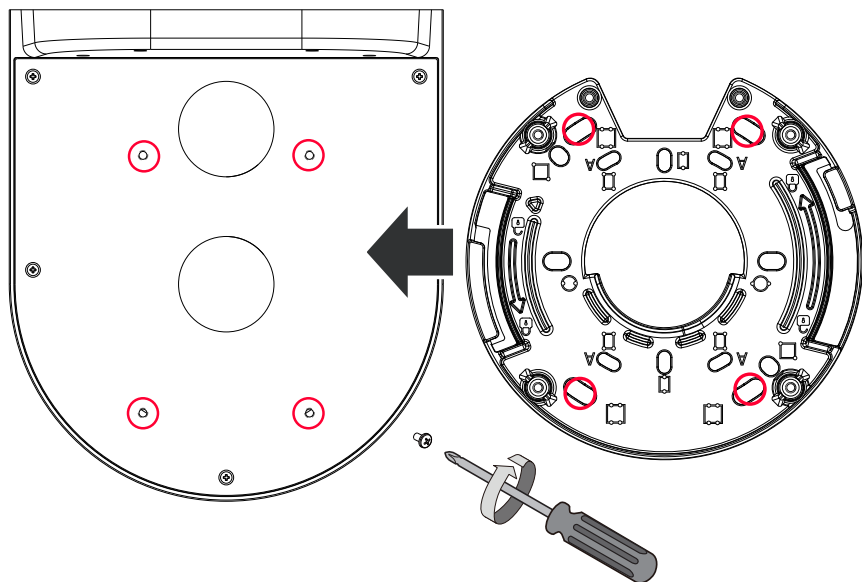
2. Pull cables through the wall, and through the top openings on the brackets.
3. Secure the bracket by hammering anchors into the wall and then fasten screws through the four mounting holes on the bracket.



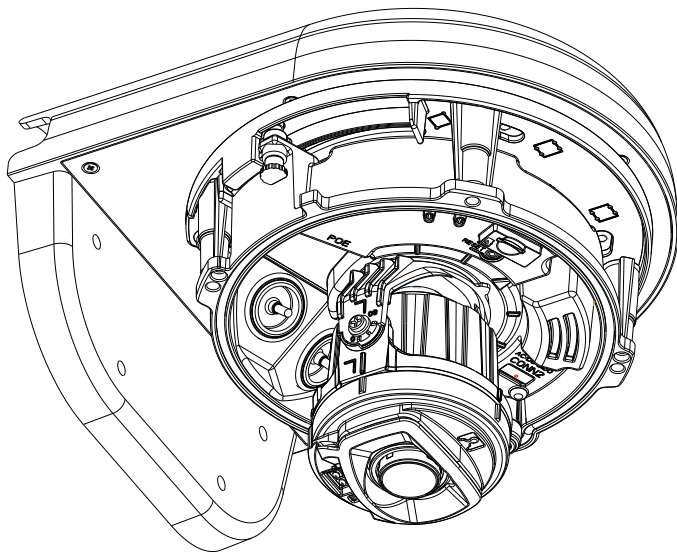
4. Connect cables to the camera following the instructions on the Quick Installation Guide.



5. Align the camera's mounting holes (those on the mounting bracket) with 4 of the A holes.

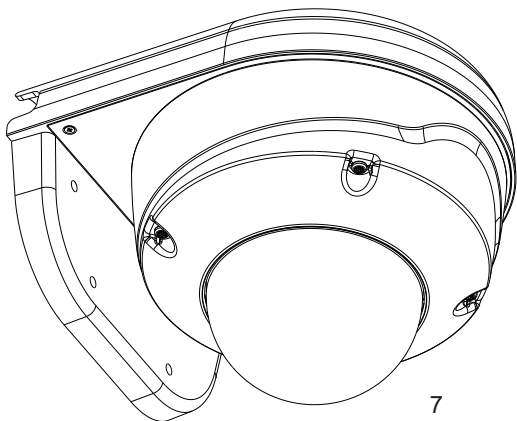


6. Orient the shooting direction and angles, and then secure the camera to the wall mount bracket.

**IMPORTANT:**

The screws and mounting surface must be able to support a weight of 4 kg.

7. Install the dome cover.



This page is intentionally left blank.