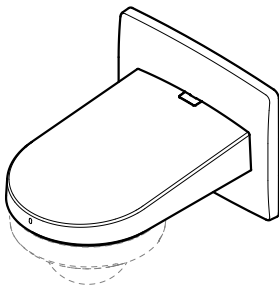


## Axis pendant wall mounts

**AXIS TM3101 Pendant Wall Mount**

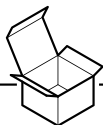
**AXIS TP3101 Pendant Wall Mount**

**AXIS TP3701 J-box and Pole Adapter**

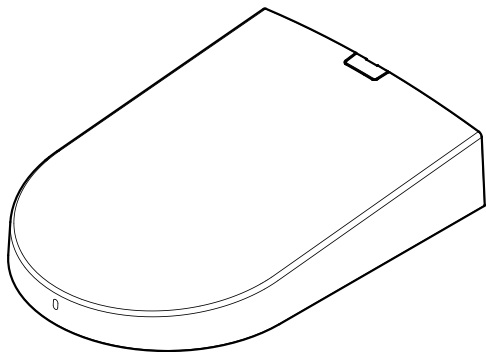


## Installation Guide





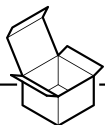
## AXIS TM3101



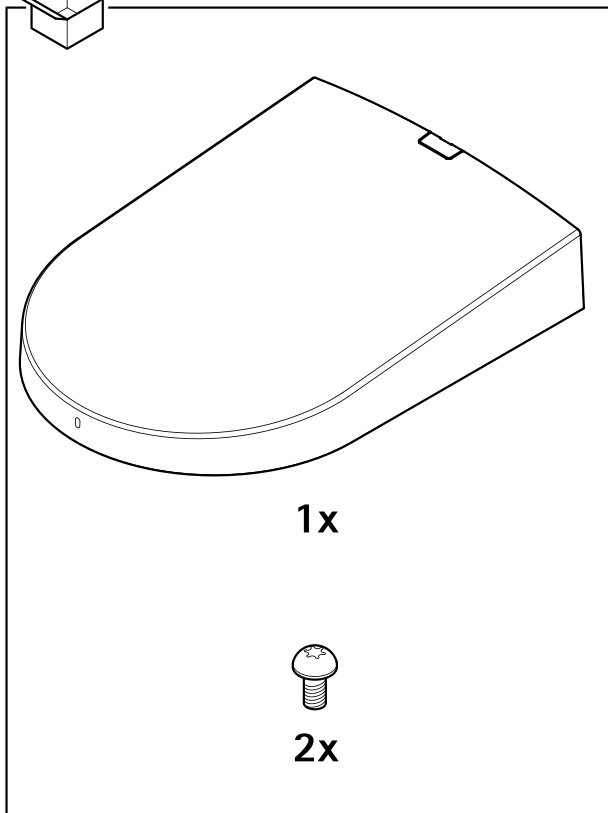
**1x**



**2x**



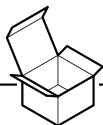
## AXIS TP3101



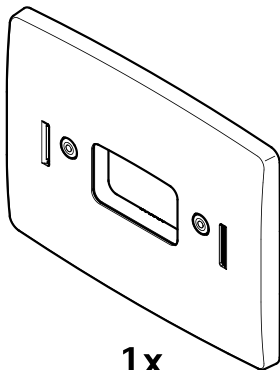
**1x**



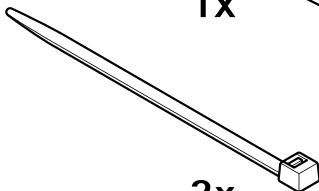
**2x**



## AXIS TP3701



1x



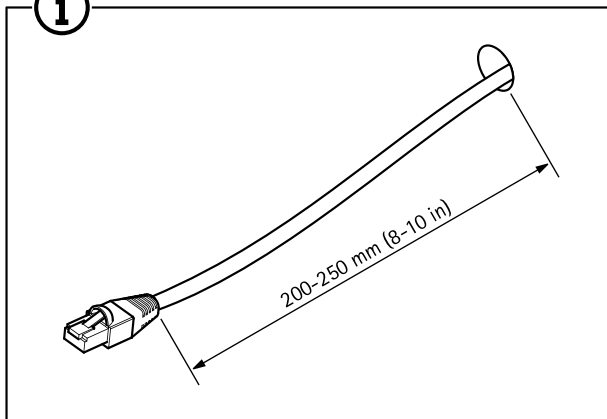
2x

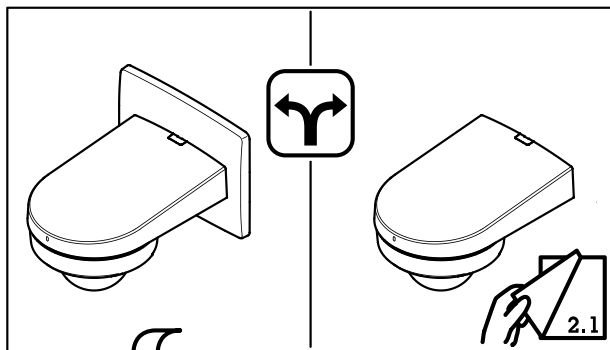


2x

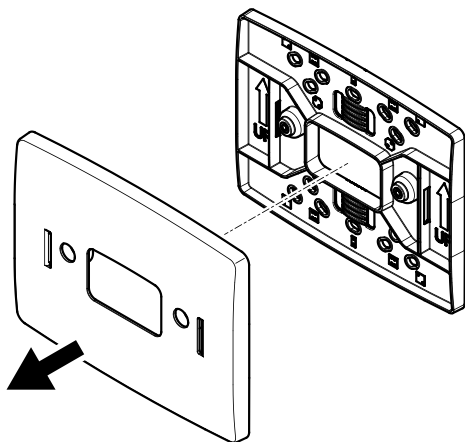
## Axis pendant wall mounts

---

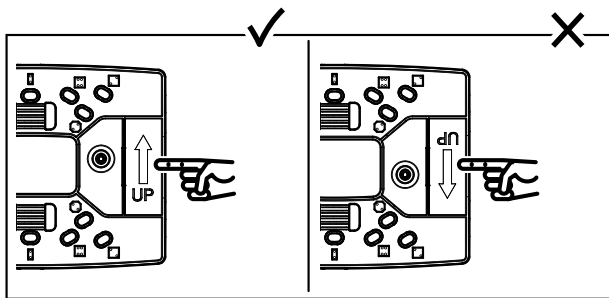
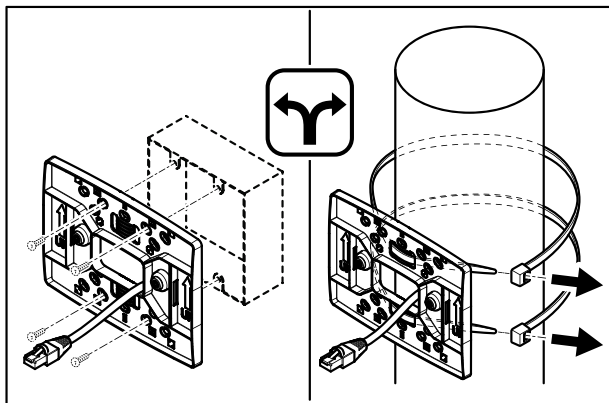




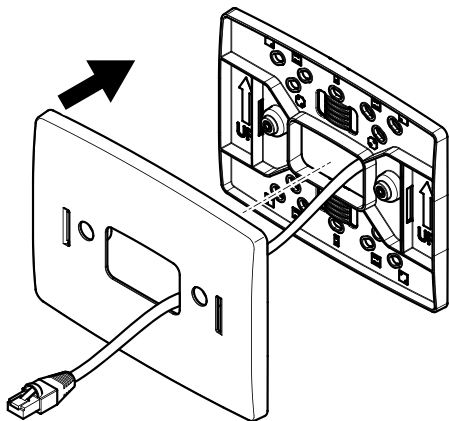
**1.1**



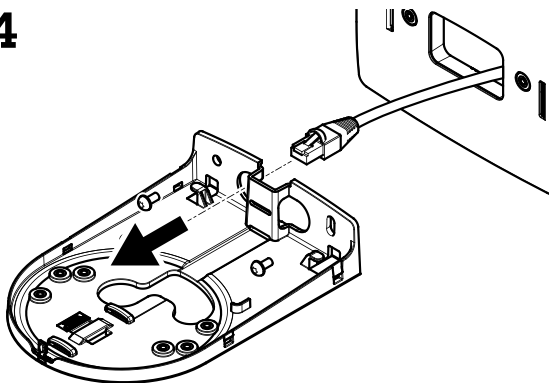
## 1.2



1.3

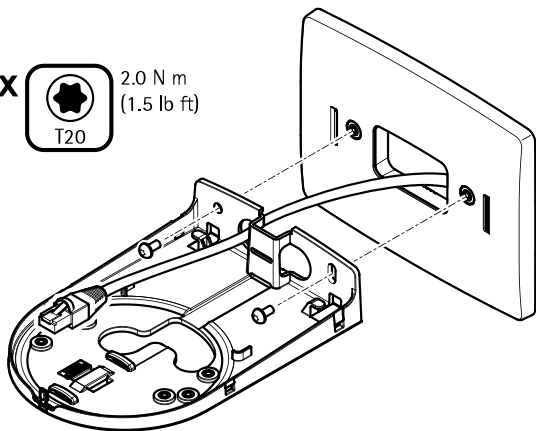


1.4

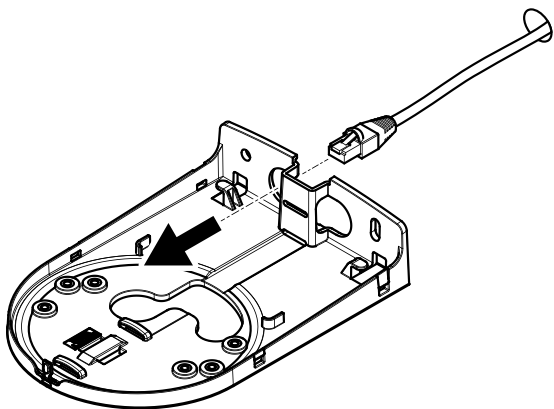


# 1.5

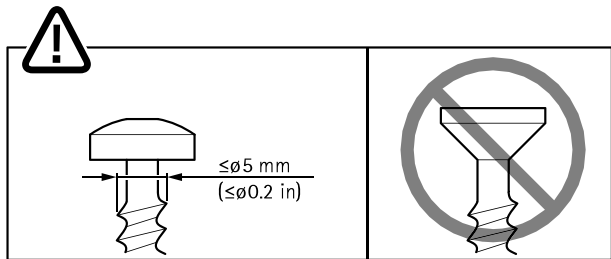
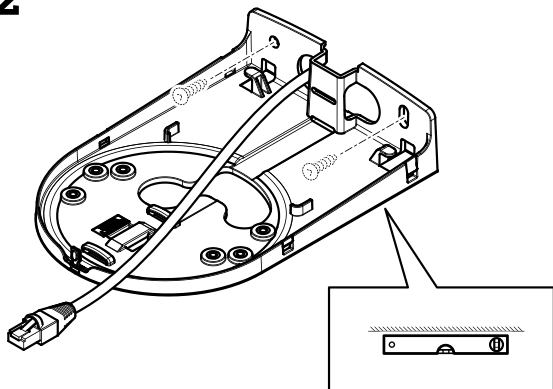
2x  2.0 N m  
(1.5 lb ft)



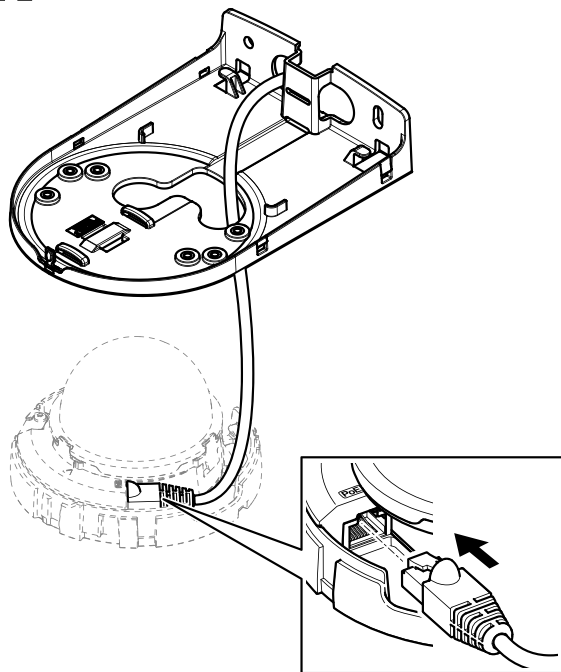
## 2.1



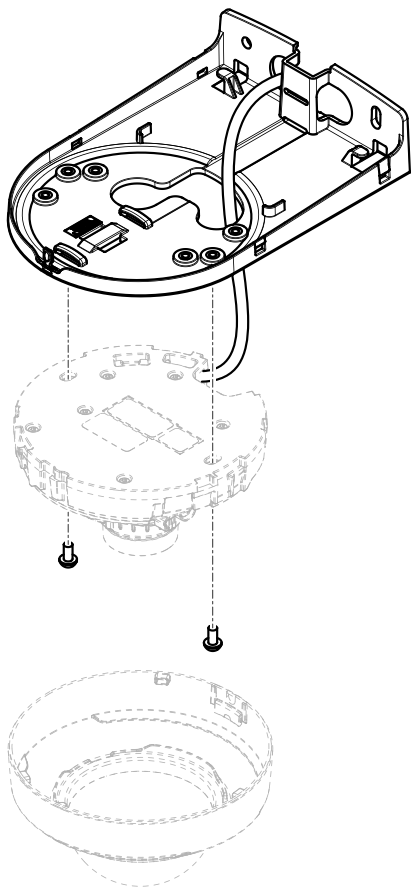
### 2.2



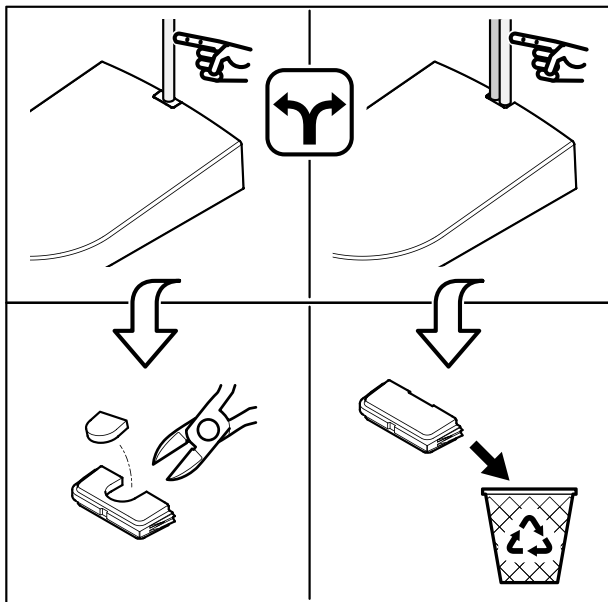
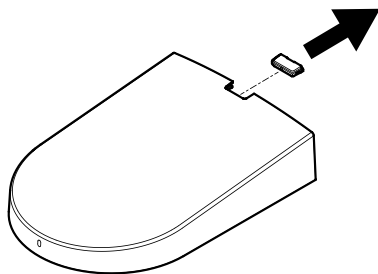
## 3.1



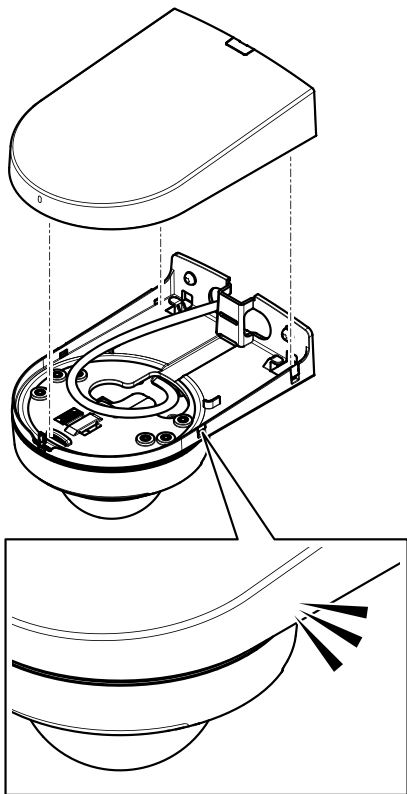
### 3.2

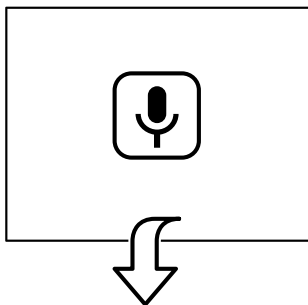


### 3.3

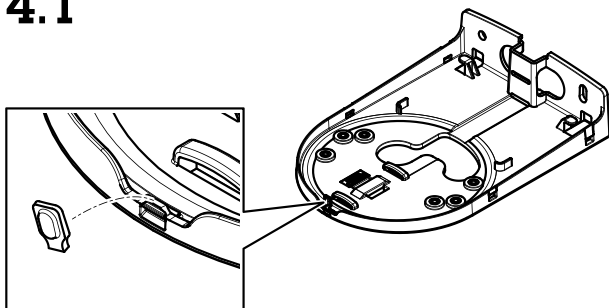


### 3.4

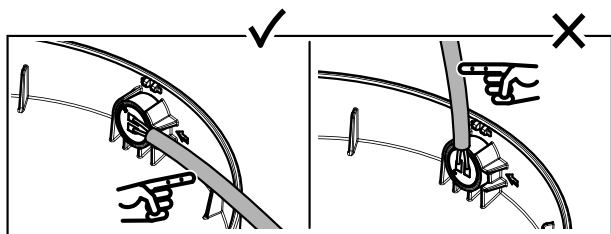
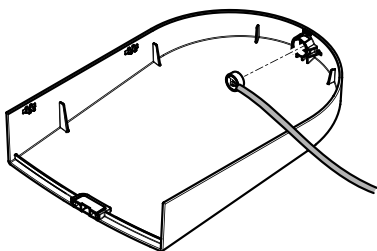




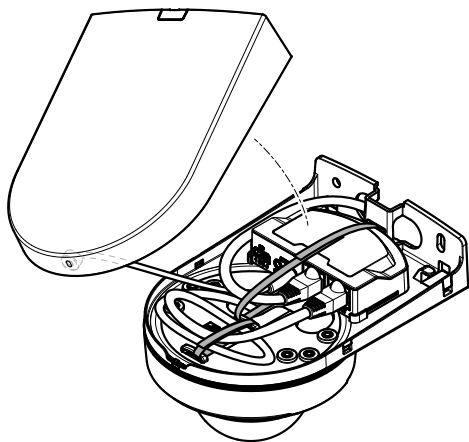
## 4.1

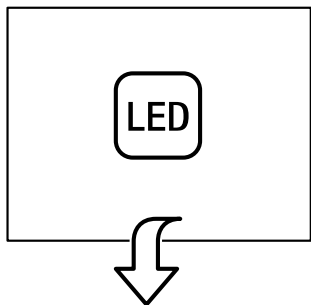


## 4.2



## 4.3



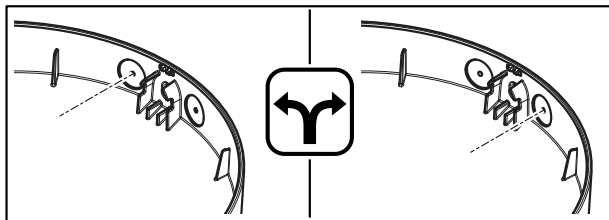
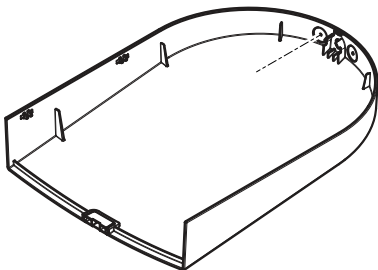


## AXIS TP3101

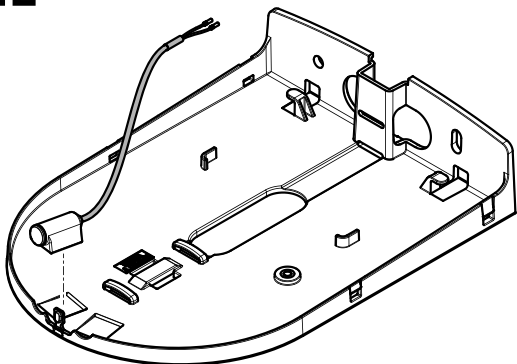
### 5.1



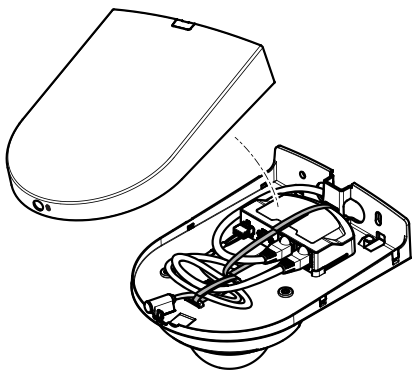
ø10 mm  
(ø3/8in)



## 5.2



## 5.3



Installation Guide

Axis pendant wall mounts

© Axis Communications AB, 2019

Ver. M3.3

Date: May 2019

Part No. 1985228