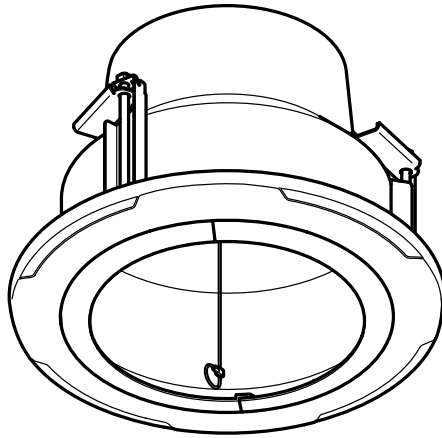
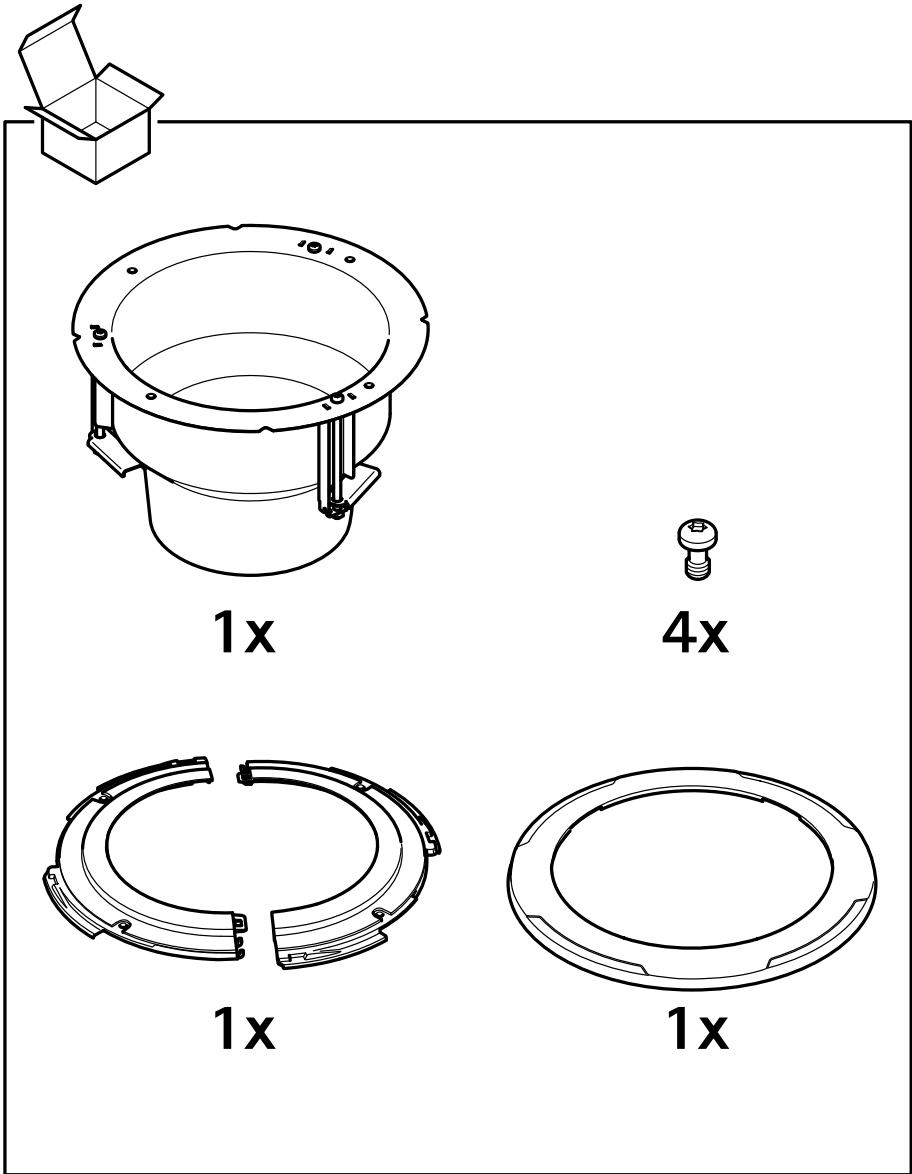


AXIS TQ6201-E Recessed Mount

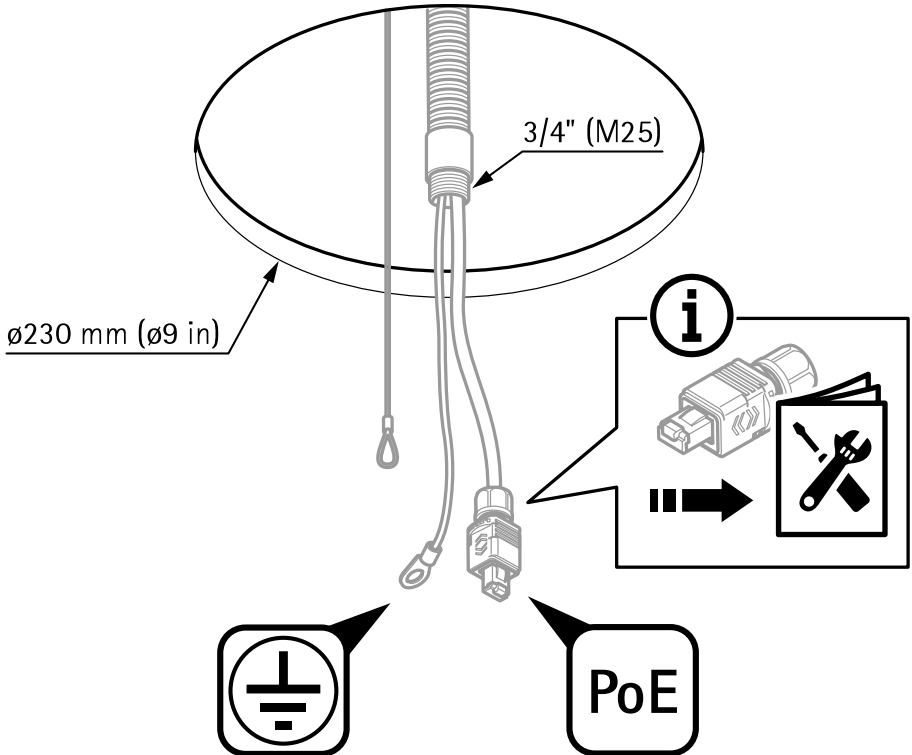
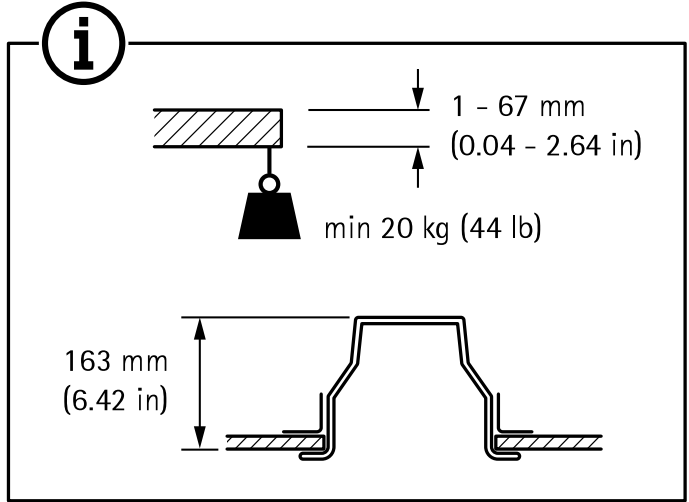


Installation Guide

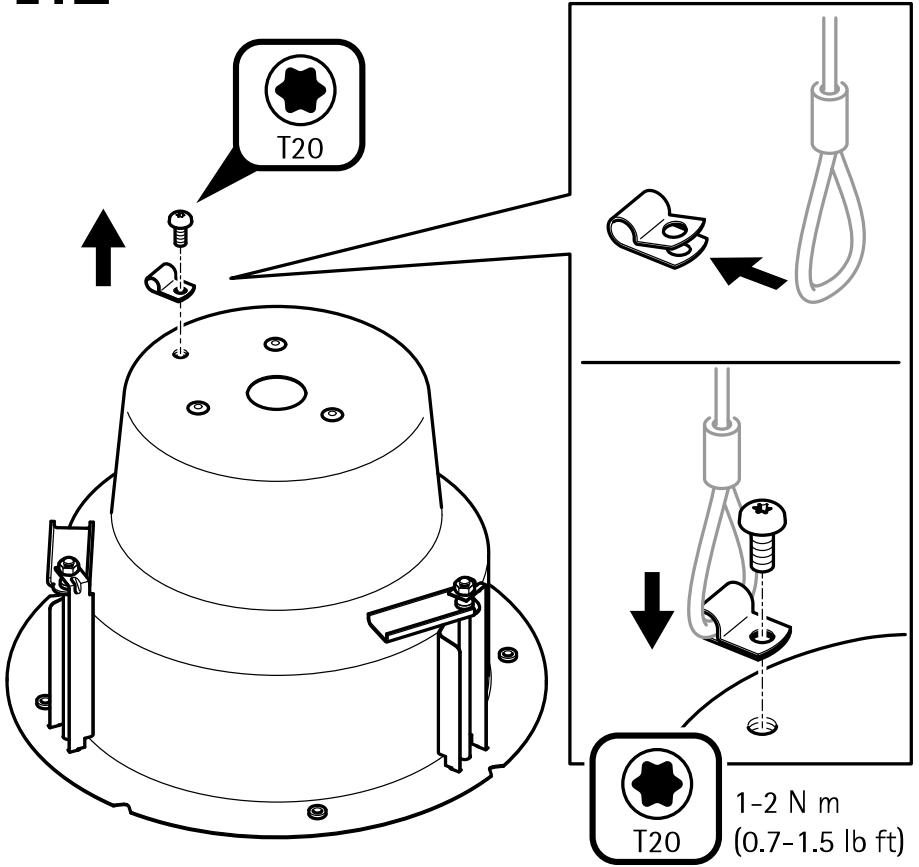
AXIS TQ6201-E Recessed Mount



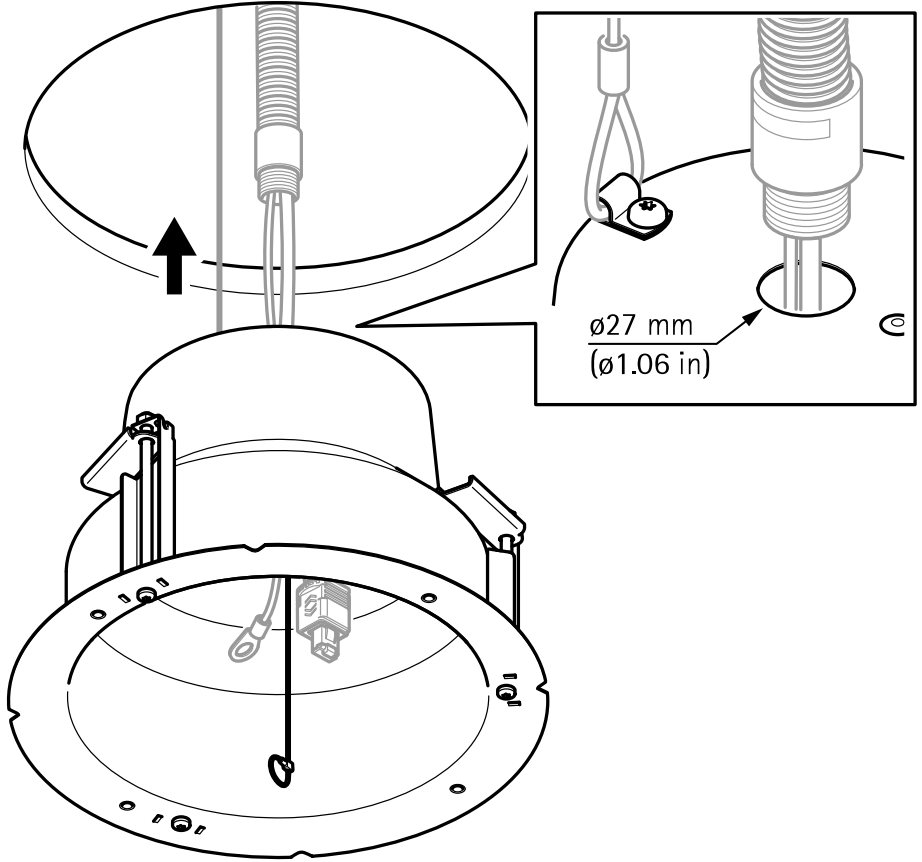
1.1



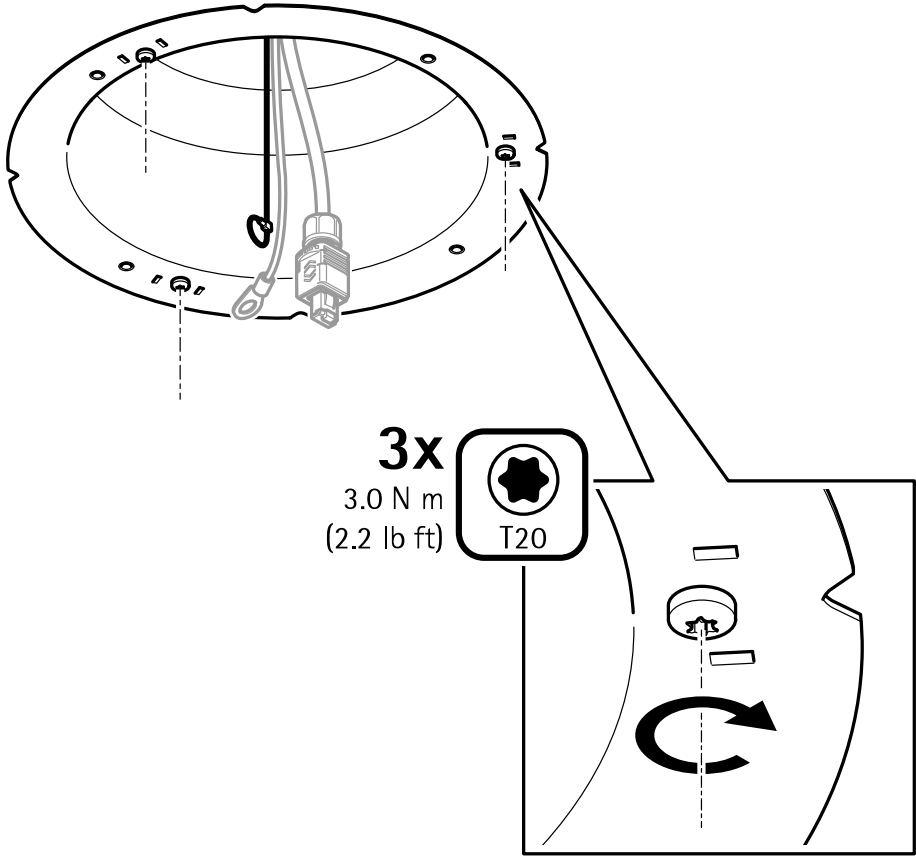
1.2



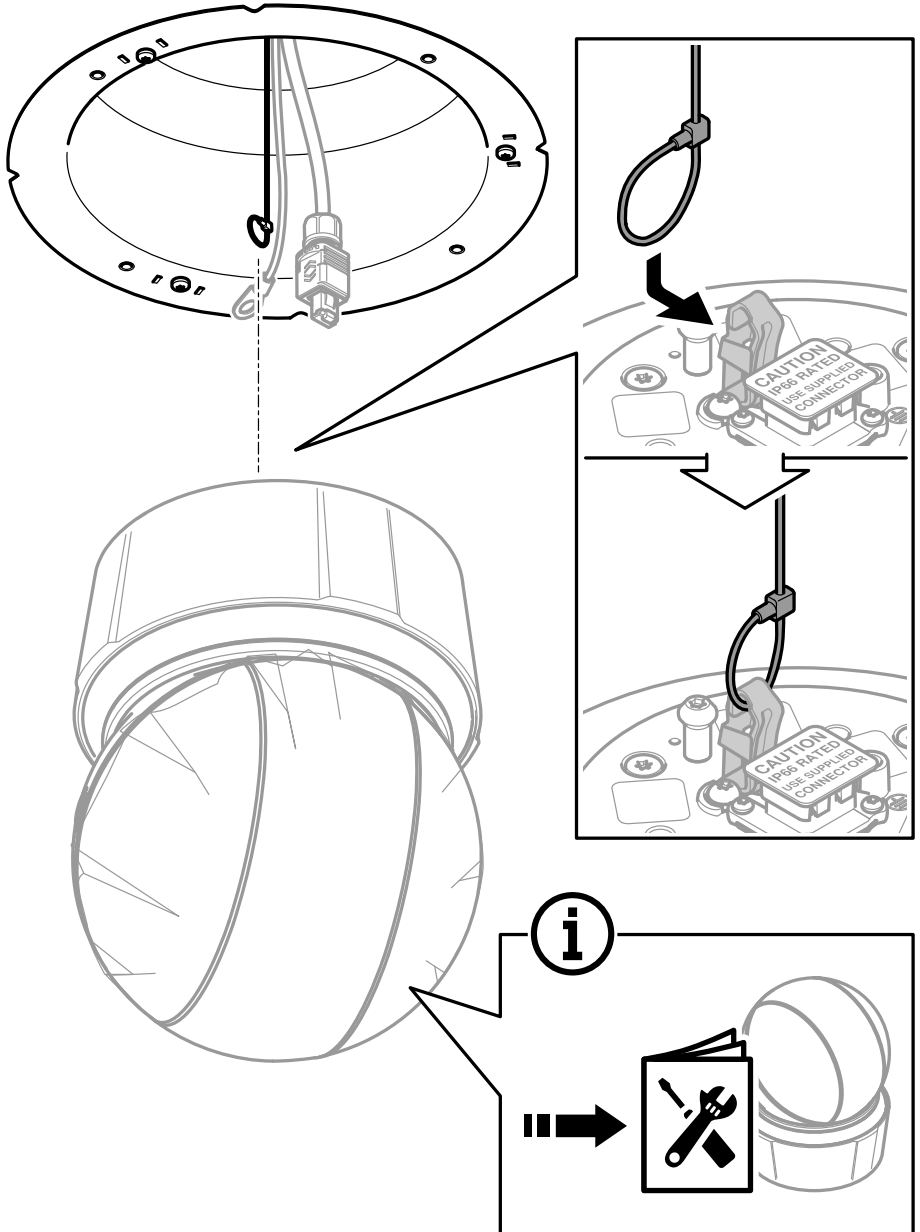
1.3



1.4

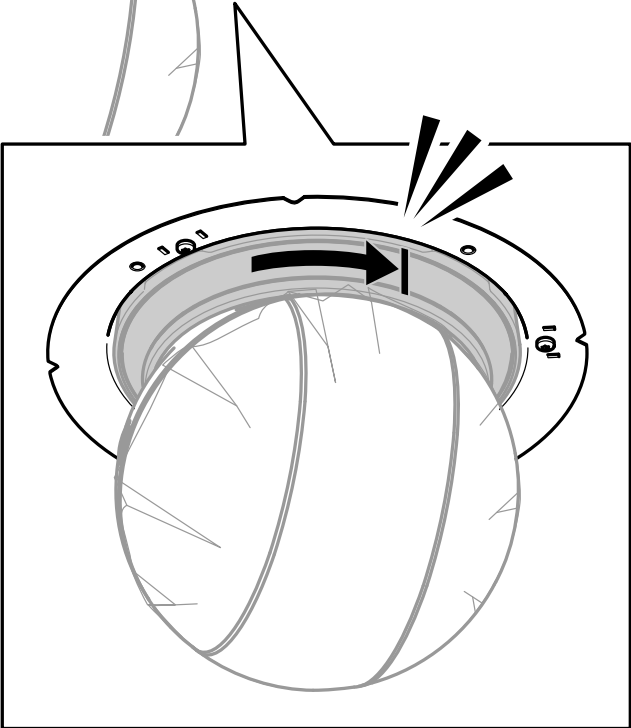
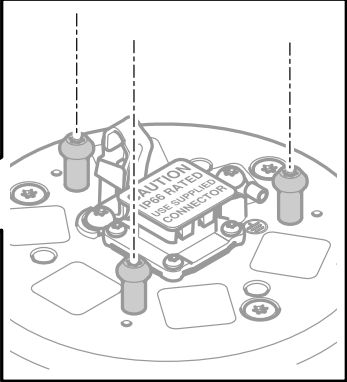
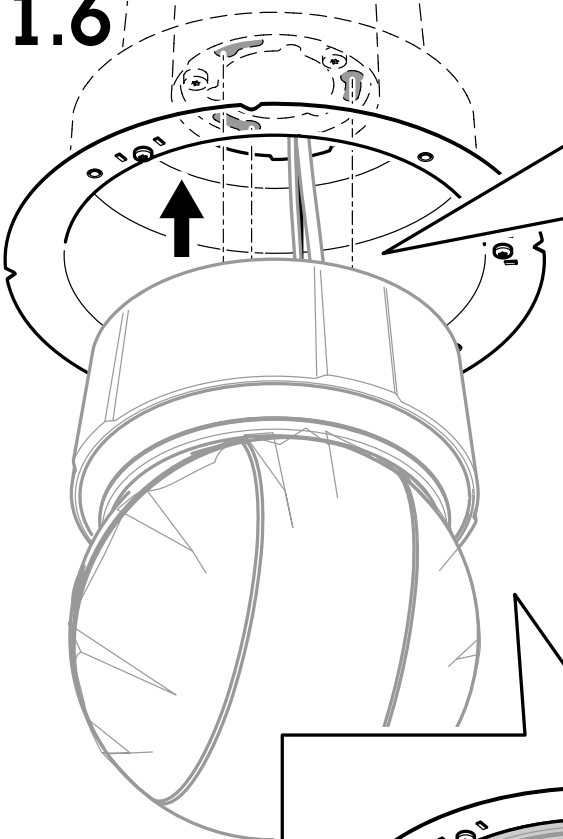


1.5

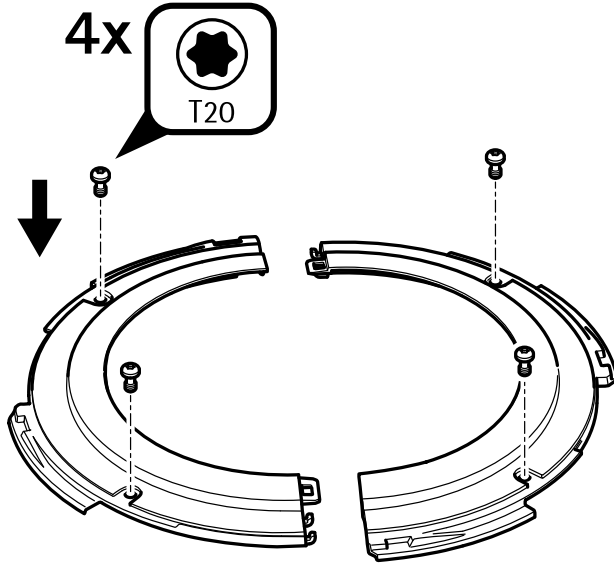


AXIS TQ6201-E Recessed Mount

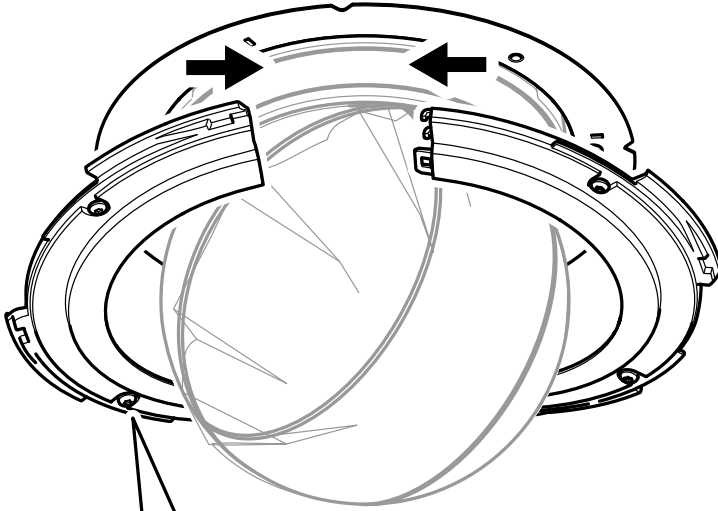
1.6



1.7



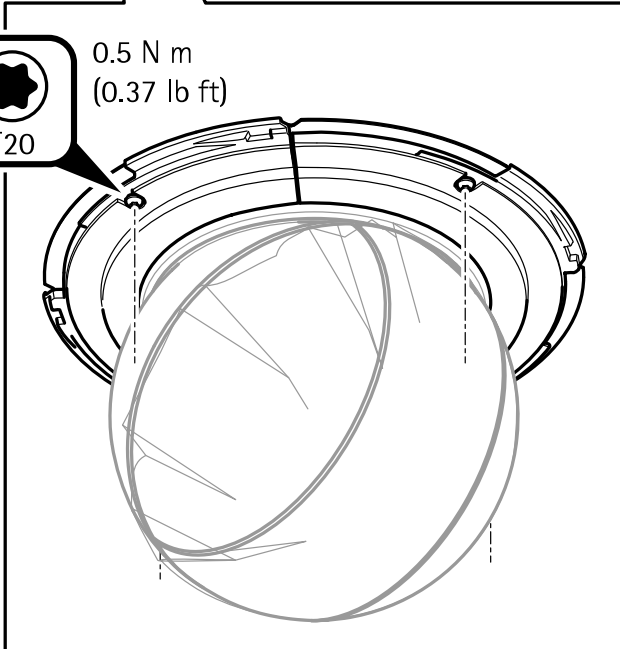
1.8



4x



0.5 N m
(0.37 lb ft)



1.9

