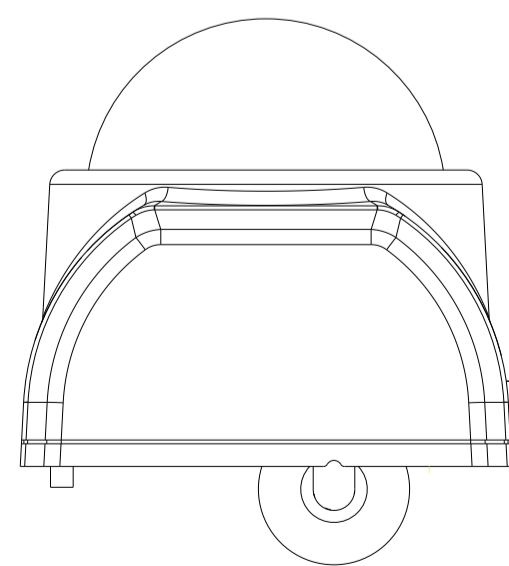
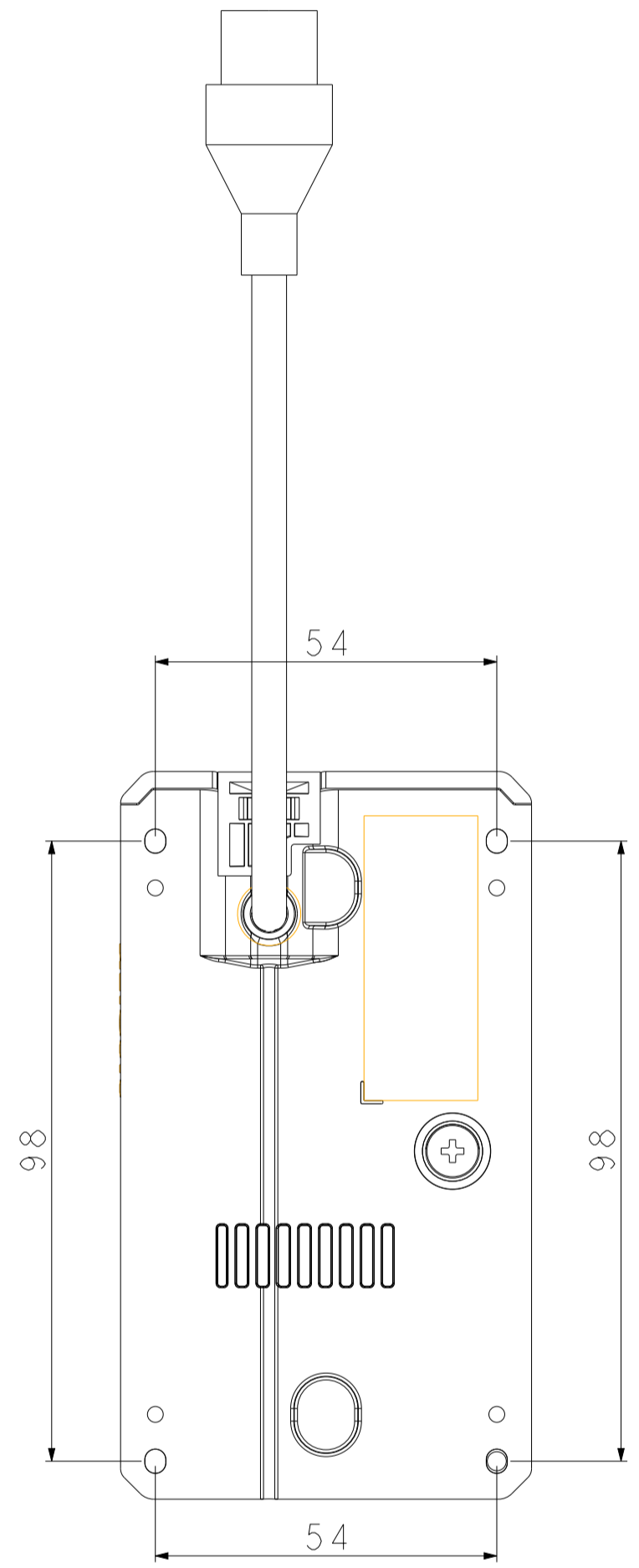
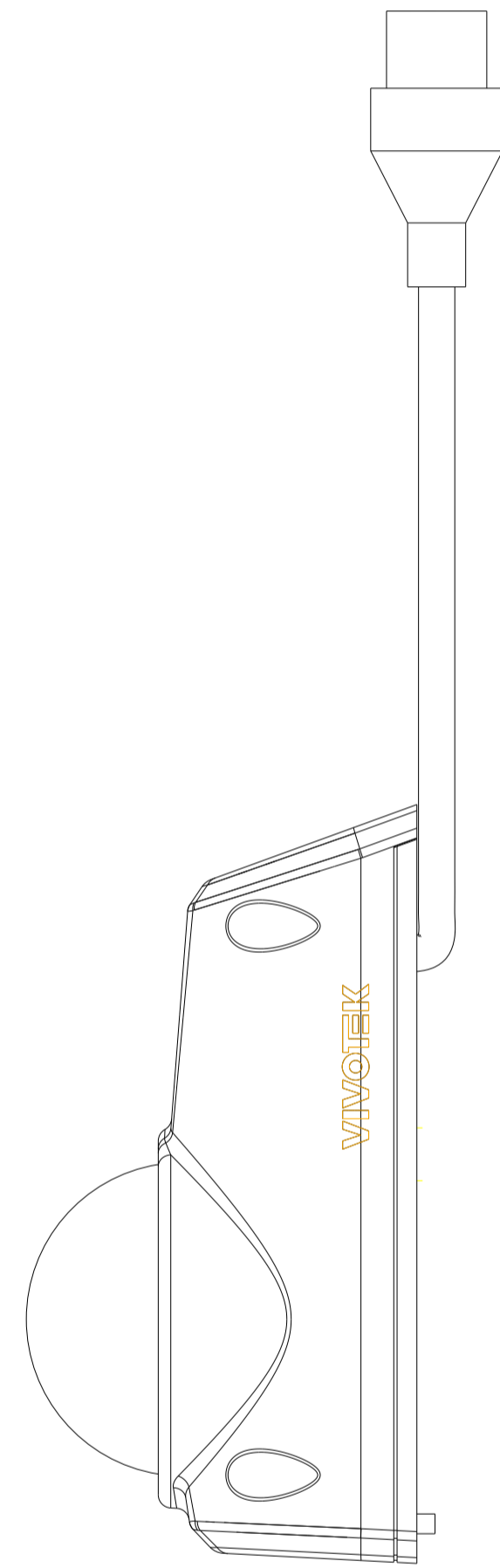
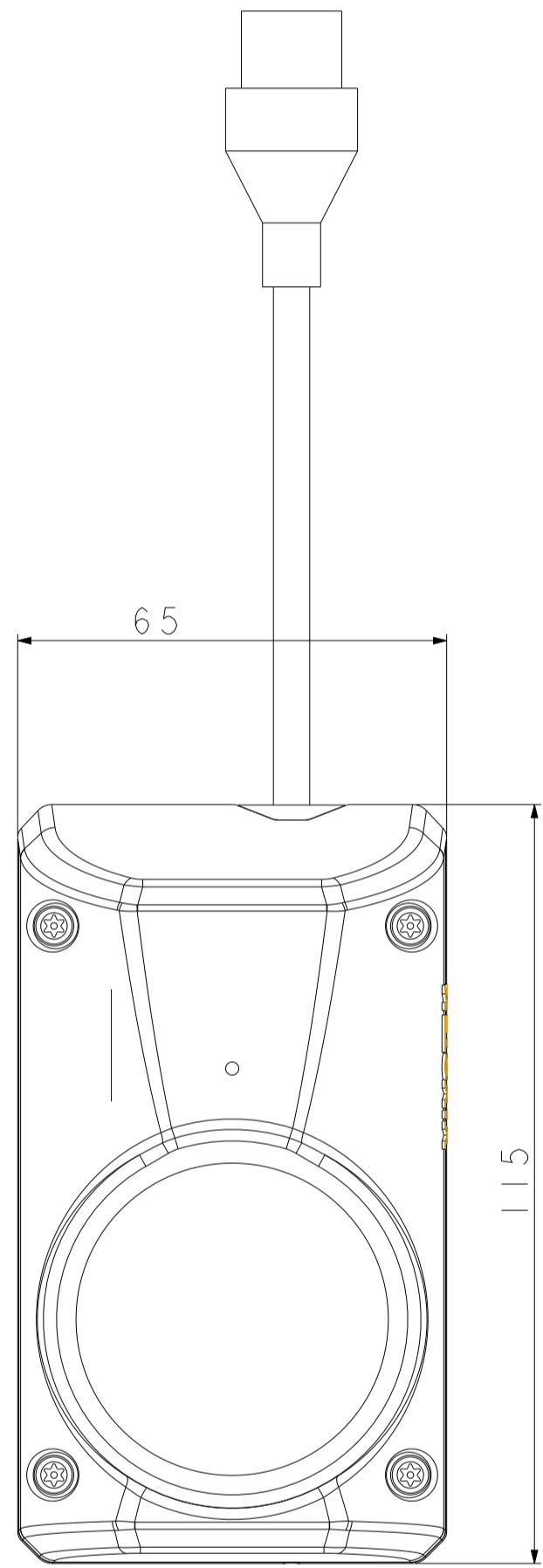
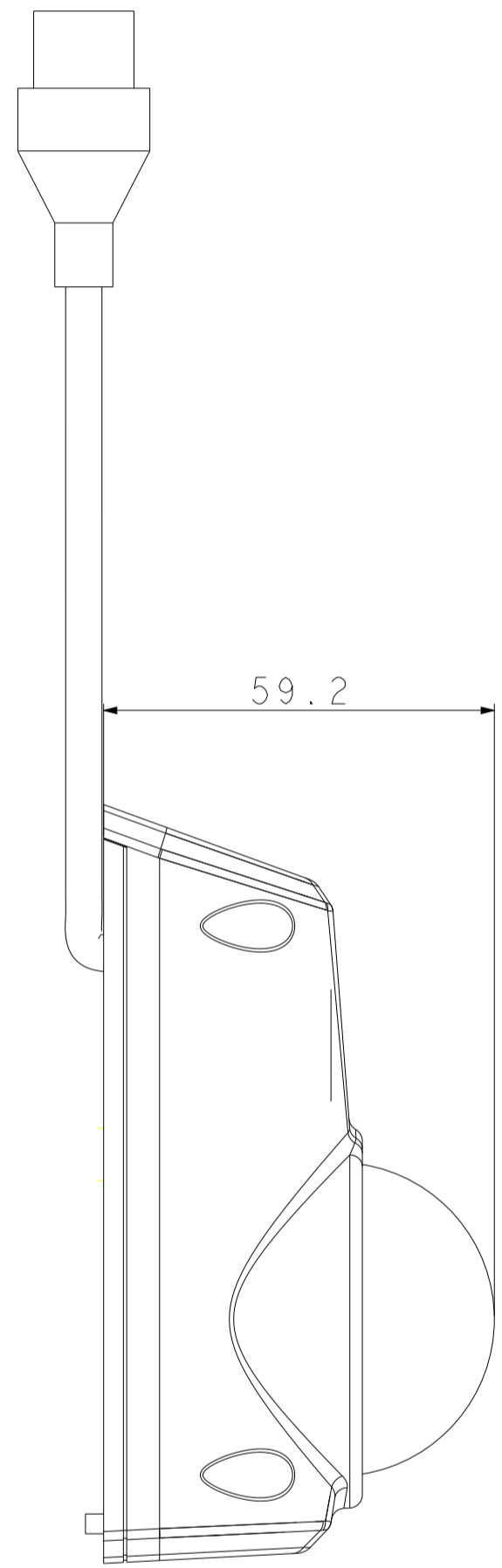
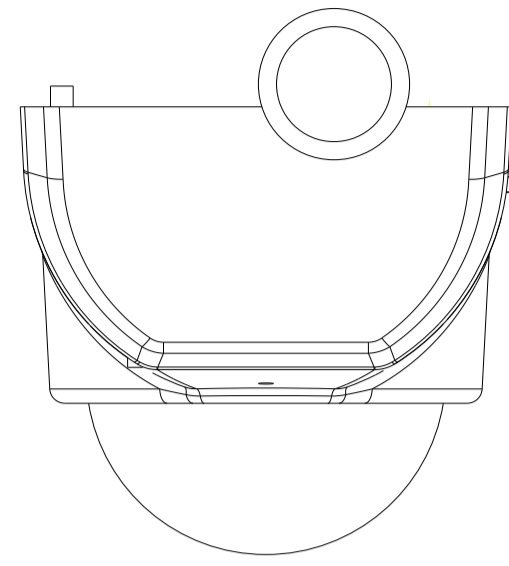




REVISIONS				
REV	DESCRIPTION	POSITION	ENGINEER	DATE
00	New Edition			Jun-12-24



Default tolerances - class 1		PART NO.	
Dimension	Symbol	ENGR	TBD
0-1.5	±0.1	DRN	TBD
1.5-3	±0.15	CHK	TBD
3-6	±0.2	M TL	TBD
6-30	±0.3	FINISH	MA
30-125	±0.4	THIRD ANGLE PROJECTION	SCALE
125-500	±0.5	SIZE	A1
500-1000	±0.6	SHEET	1 OF 1

VIVOTEK		ASSEMBLY	
A DELTA GROUP COMPANY		MODEL	TBD
DESCRIPTION	00_CC9390-HV_ME	ISSUE DATE	Jun-12-24
FINISH	MA	REVISION	00
UNIT	mm		