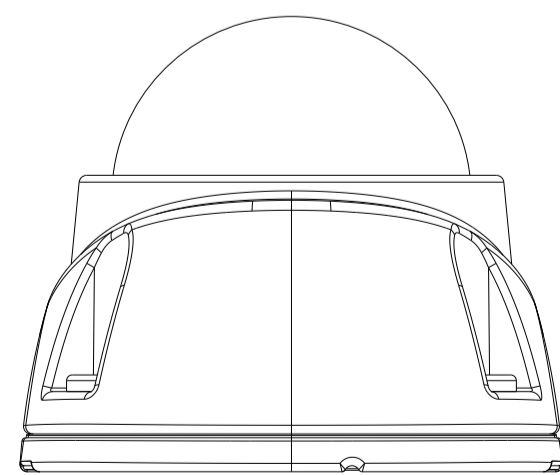
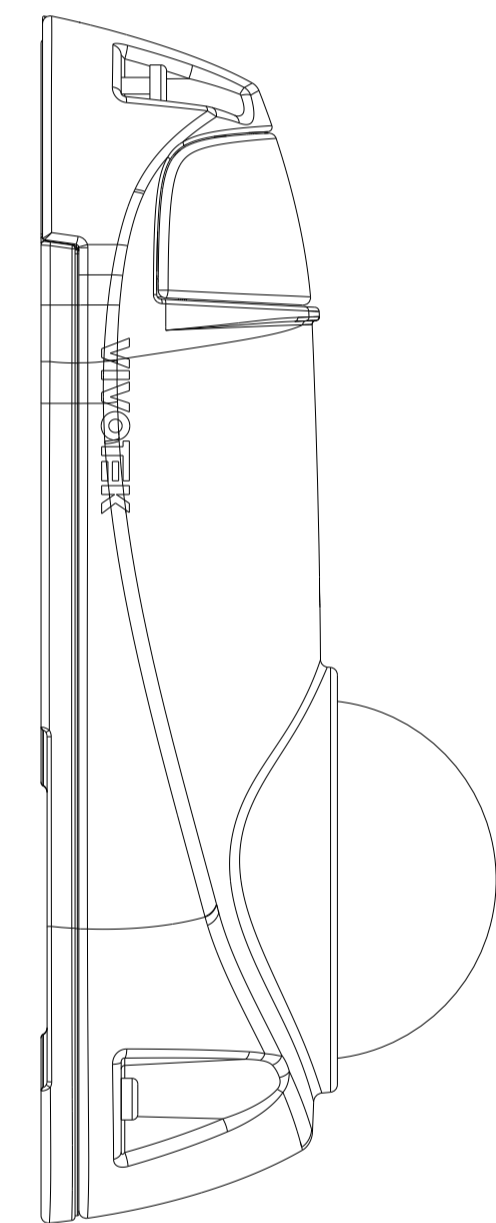
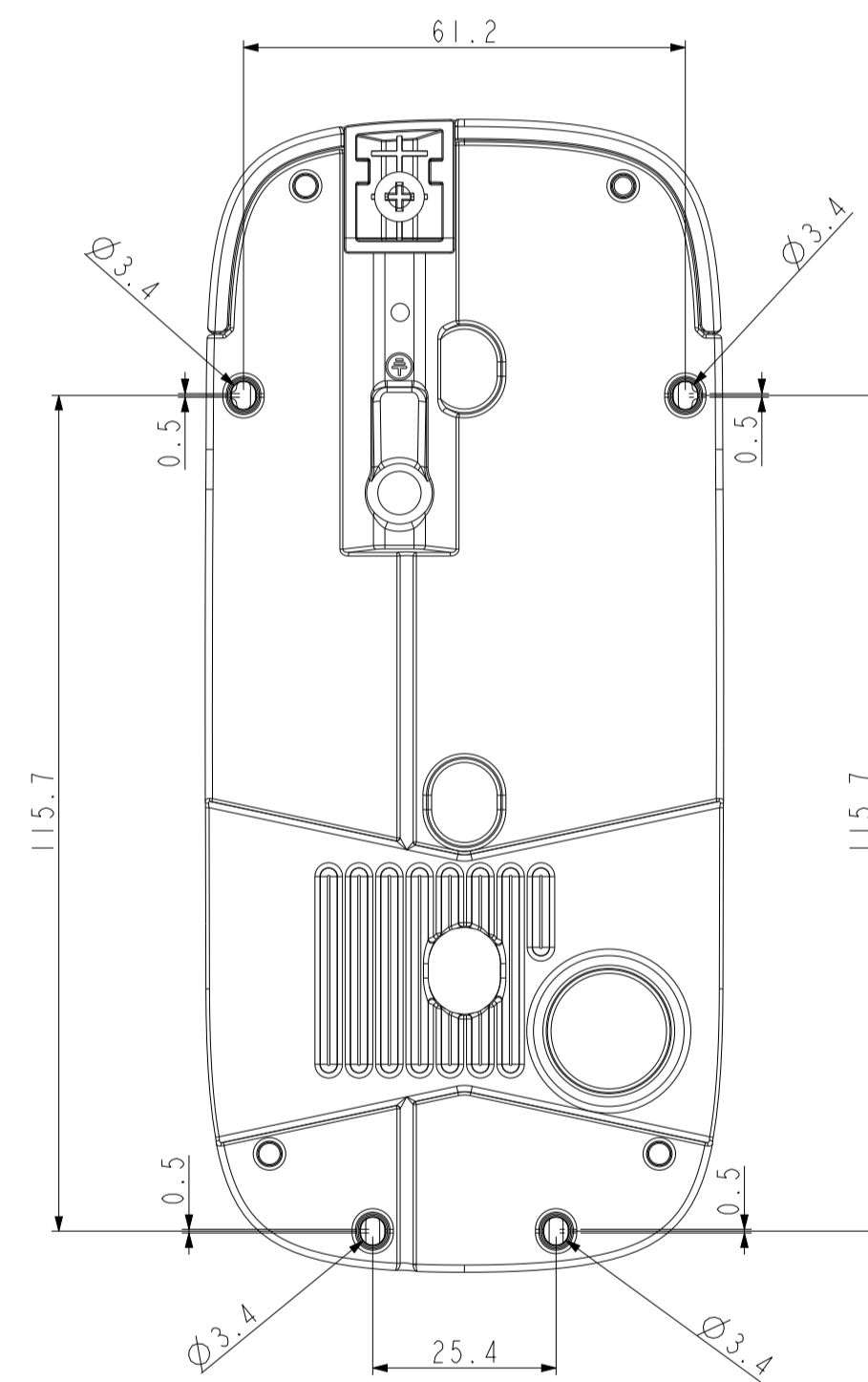
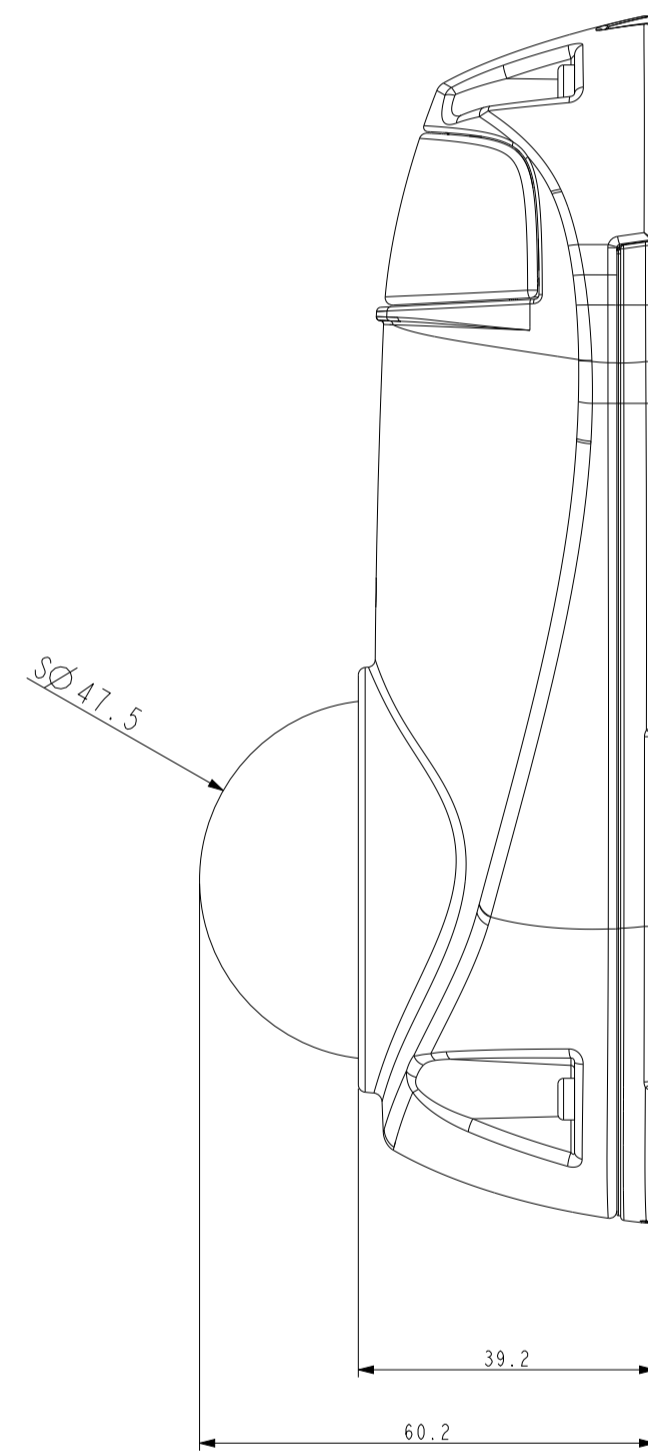
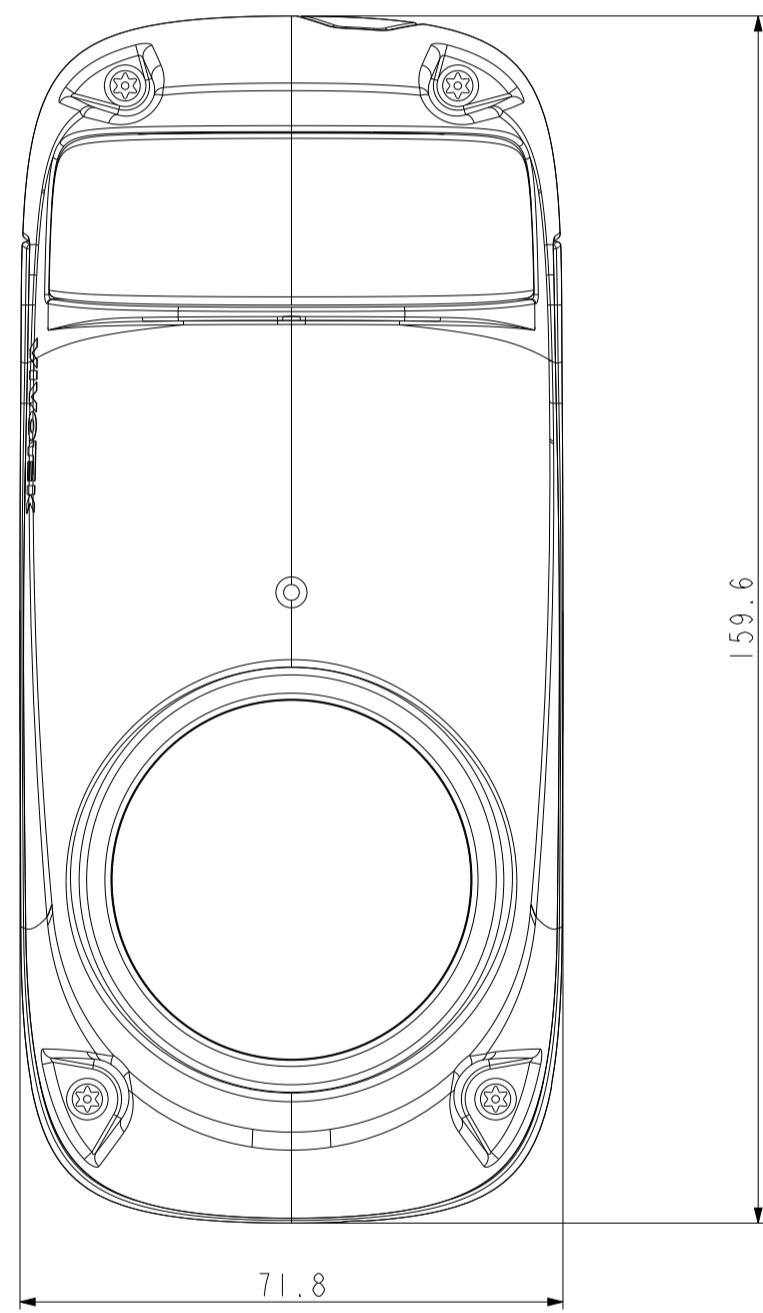
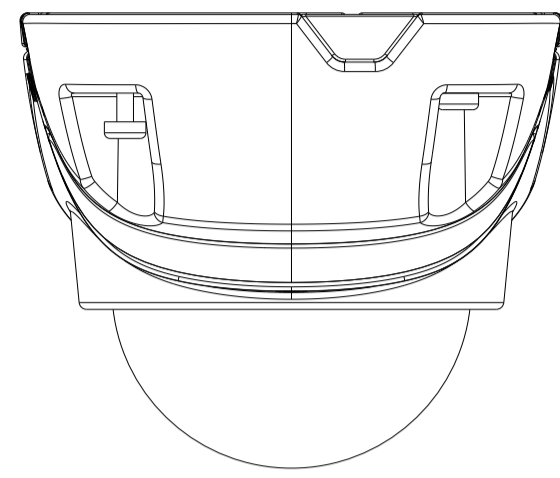




REVISIONS				
REV	DESCRIPTION	POSITION	ENGINEER	DATE
00	New Edition			21-May-24



PROPERTY		PART NO.	
ENGR	DRN	MODEL	CC9391-HV/CC9381-HV-V2
CHK	FINISH	DESCRIPTION	CC9391-HV_SIX_VIEW
ISSUE	SCALE	ISSUE DATE	21-May-24
		REVISION	00
		UNIT	mm
		SHEET	1 OF 1