

# Network Camera


Installation Manual

*DC-D4537RXA*


*DC-D4537HRXA*

# Before reading this manual



This is a basic installation manual for use of an IDIS network camera. Users who are using this product for the first time, as well as users with experience using comparable products, must read this operation manual carefully before use and heed to the warnings and precautions contained herein while using the product. Safety warnings and precautions contained in this operation manual are intended to promote proper use of the product and thereby prevent accidents and property damage and must be followed at all times. Once you have read this operation manual, keep it at an easily accessible location for future reference.

-  • The manufacturer will not be held responsible for any product damage resulting from the use of unauthorized parts and accessories or from the user's failure to comply with the instructions contained in this manual.
- The information in this document is believed to be accurate as of the date of publication even though explanation about some functions may not be incorporated. The manufacturer is not responsible for any problems resulting from the use thereof. The information contained herein is subject to change without notice. Revisions or new editions to this publication may be issued to incorporate such changes.
- It is recommended that first-time users of this network camera and individuals who are not familiar with its use seek technical assistance from their retailer regarding product installation and use.
- If you need to disassemble the product for functionality expansion or repair purposes, you must contact your retailer and seek professional assistance.
- Both retailers and users should be aware that this product has been certified as being electromagnetically compatible for commercial use. If you have sold or purchased this product unintentionally, please replace with a consumer version.

## Safety Symbols

Symbol	Publication	Description
	IEC60417, No.5031	Direct current

## In-Text

Symbol	Type	Description
	<b>Caution</b>	Important information concerning a specific function.
	<b>Note</b>	Useful information concerning a specific function.

## Safety Precautions

### WARNING

RISK OF ELECTRIC SHOCK  
DO NOT OPEN

**WARNING:** TO REDUCE THE RISK OF ELECTRIC SHOCK,  
DO NOT REMOVE COVER (OR BACK).  
NO USER-SERVICEABLE PARTS INSIDE.  
REFER SERVICING TO QUALIFIED SERVICE PERSONNEL.

### Important Safeguards

#### 1. Read Instructions

All the safety and operating instructions should be read before the appliance is operated.

#### 2. Retain Instructions

The safety and operating instructions should be retained for future reference.

#### 3. Cleaning

Unplug this equipment from the wall outlet before cleaning it. Do not use liquid aerosol cleaners. Use a damp soft cloth for cleaning.

#### 4. Attachments

Never add any attachments and/or equipment without the approval of the manufacturer as such additions may result in the risk of fire, electric shock or other personal injury.

#### 5. Water and/or Moisture

Do not use this equipment near water or in contact with water.

#### 6. Placing and Accessories

Do not place this equipment on an wall or ceiling that is not strong enough to sustain the camera. The equipment may fall, causing serious injury to a child or adult, and serious damage to the equipment. Wall or shelf mounting should follow the manufacturer's instructions, and should use a mounting kit approved by the manufacturer.



This equipment and cart combination should be moved with care. Quick stops, excessive force, and uneven surfaces may cause the equipment and cart combination to overturn.

Do not place this equipment in an enclosed space. Sufficient ventilation is required to prevent an increase in ambient temperature which can cause malfunction or the risk of fire.

#### 7. Power Sources

This equipment should be operated only from the type of power source indicated on the marking label. If you are not sure of the type of power, please consult your equipment dealer or local power company. You may want to install a UPS (Uninterruptible Power Supply) system for safe operation in order to prevent damage caused by an unexpected power stoppage. Any questions concerning UPS, consult your UPS retailer.

This equipment should be remain readily operable.

#### 8. Power Cord

Operator or installer must remove power and TNT connections before handling the equipment.

#### 9. Lightning

For added protection for this equipment during a lightning storm, or when it is left unattended and unused for long periods of time, unplug it from the wall outlet and disconnect the antenna or cable system. This will prevent damage to the equipment due to lightning and power-line surges. If thunder or lightning is common where the equipment is installed, use a surge protection device.

#### 10. Overloading

Do not overload wall outlets and extension cords as this can result in the risk of fire or electric shock.

#### 11. Objects and Liquids

Never push objects of any kind through openings of this equipment as they may touch dangerous voltage points or short out parts that could result in a fire or electric shock. Never spill liquid of any kind on the equipment.

#### 12. Servicing

Do not attempt to service this equipment yourself. Refer all servicing to qualified service personnel.

#### 13. Damage requiring Service

Unplug this equipment from the wall outlet and refer servicing to qualified service personnel under the following conditions:

- When the power-supply cord or the plug has been damaged.
- If liquid is spilled, or objects have hit the equipment.
- If the equipment has been exposed to rain or water.
- If the equipment does not operate normally by following the operating instructions, adjust only those controls that are covered by the operating instructions as an improper adjustment of other controls may result in damage and will often require extensive work by a qualified technician to restore the equipment to its normal operation.
- If the equipment has been dropped, or the cabinet damaged.
- When the equipment exhibits a distinct change in performance — this indicates a need for service.

#### 14. Replacement Parts

When replacement parts are required, be sure the service technician has used replacement parts specified by the manufacturer or that have the same characteristics as the original part. Unauthorized substitutions may result in fire, electric shock or other hazards.

#### 15. Safety Check

Upon completion of any service or repairs to this equipment, ask the service technician to perform safety checks to determine that the equipment is in proper operating condition.

#### 16. Field Installation

This installation should be made by a qualified service person and should conform to all local codes.

#### 17. Correct Batteries

Warning: Risk of explosion if battery is replaced by an incorrect type. Replace only with the same or equivalent type.

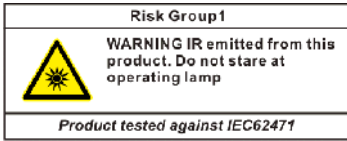
Dispose of used batteries according to the instructions.

The battery shall not be exposed to excessive heat such as sunshine, fire or the like.

#### 18. Tmra

A manufacturer's maximum recommended ambient temperature (Tmra) for the equipment must be specified so that the customer and installer may determine a suitable maximum operating environment for the equipment.

Before reading this manual



**Warning:** This product emits infrared light. Do not look into the IR LED.

## FCC Compliance Statement

THIS EQUIPMENT HAS BEEN TESTED AND FOUND TO COMPLY WITH THE LIMITS FOR A CLASS A DIGITAL DEVICE, PURSUANT TO PART 15 OF THE FCC RULES. THESE LIMITS ARE DESIGNED TO PROVIDE REASONABLE PROTECTION AGAINST HARMFUL INTERFERENCE WHEN THE EQUIPMENT IS OPERATED IN A COMMERCIAL ENVIRONMENT. THIS EQUIPMENT GENERATES, USES, AND CAN RADIATE RADIO FREQUENCY ENERGY AND IF NOT INSTALLED AND USED IN ACCORDANCE WITH THE INSTRUCTION MANUAL, MAY CAUSE HARMFUL INTERFERENCE TO RADIO COMMUNICATIONS. OPERATION OF THIS EQUIPMENT IN A RESIDENTIAL AREA IS LIKELY TO CAUSE HARMFUL INTERFERENCE, IN WHICH CASE USERS WILL BE REQUIRED TO CORRECT THE INTERFERENCE AT THEIR OWN EXPENSE.

**WARNING:** CHANGES OR MODIFICATIONS NOT EXPRESSLY APPROVED BY THE PARTY RESPONSIBLE FOR COMPLIANCE COULD VOID THE USER'S AUTHORITY TO OPERATE THE EQUIPMENT. THIS CLASS OF DIGITAL APPARATUS MEETS ALL REQUIREMENTS OF THE CANADIAN INTERFERENCE CAUSING EQUIPMENT REGULATIONS.

## WEEE (Waste Electrical & Electronic Equipment)

### Correct Disposal of This Product

*(Applicable in the European Union and other European countries with separate collection systems)*



This marking shown on the product or its literature, indicates that it should not be disposed with other household wastes at the end of its working life. To prevent possible harm to the environment or human health from uncontrolled waste disposal, please separate this from other types of wastes and recycle it responsibly to promote the sustainable reuse of material resources.

Household users should contact either the retailer where they purchased this product, or their local government office, for details of where and how they can take this item for environmentally safe recycling.

Business users should contact their supplier and check the terms and conditions of the purchase contract. This product should not be mixed with other commercial wastes for disposal.

## Copyright

© 2022 IDIS Co., Ltd.

IDIS Co., Ltd. reserves all rights concerning this operation manual.

Use or duplication of this operation manual in part or whole without the prior consent of IDIS Co., Ltd. is strictly prohibited.

Contents of this operation manual are subject to change without prior notice for reasons such as functionality enhancements.

## Registered Trademarks

IDIS is a registered trademark of IDIS Co., Ltd.

Other company and product names are registered trademarks of their respective owners.

The software included in this product contains some Open Sources. You may obtain the corresponding source code which we have to distribute according to the license policy. For more information, refer to **System > General** page. This product includes software developed by the University of California, Berkeley and its contributors, and software developed by the OpenSSL Project for use in the OpenSSL Toolkit (<http://www.openssl.org/>). Also, this product includes cryptographic software written by Eric Young ([ey@cryptsoft.com](mailto:ey@cryptsoft.com)).

# Table of Contents

---

## 1

<b>Part 1 – Introduction.....</b>	<b>6</b>
Product Features .....	6
Accessories.....	7
Overview .....	8
Dome Cover .....	8
Body.....	8
Factory Reset .....	11
Lens .....	11
Installation .....	11
Removing the Dome Cover .....	11
Inserting a SD Memory Card .....	12
Installation.....	13
Angle Adjustment.....	15
Closing the Dome Cover.....	15
Dimension .....	16

## 2

<b>Part 2 - Camera Connection .....</b>	<b>18</b>
With DirectIP® NVR-based Layout .....	18
With non DirectIP® NVR-based Layout.....	19

## 3


<b>Part 3 - Appendix.....</b>	<b>20</b>
Troubleshooting .....	20
Specifications .....	21

# Part 1 – Introduction


## Product Features


**DC-D4537RXA/DC-D4537HRXA** are IP-based network cameras that compress and transmit video over Ethernet.

You can use the IDIS Discovery program to change network camera settings or the IDIS Solution Suite Compact program to manage multiple network cameras. In addition, the embedded web server (IDIS Web) lets you remotely view live video or scan recorded video using a web browser. In addition, you can use the IDIS Solution Suite Compact to manage network cameras and view/record video.

 In this operation manual, the term **Remote System** refers to the computer on which the remote program (IDIS Solution Suite Compact or IDIS Web) is running.

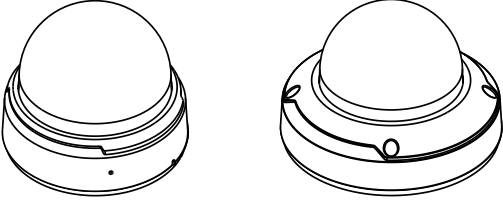
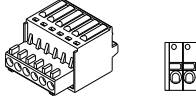
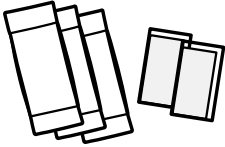

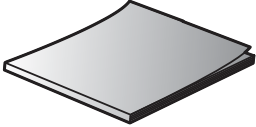
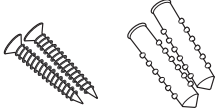
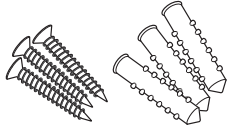

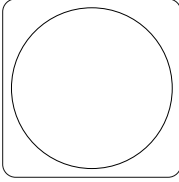
- Supports DirectIP mode working with a DirectIP® NVR that allows users to simply set up all required configurations without a PC
- Supports ONVIF protocol (V20.12, Profile S/T)
- Multi-streaming for high-resolution and high-quality video monitoring and simultaneous recording in real-time as well as flexible configurations for those
- Supports H.265 and H.264 video compression and M-JPEG still image compression algorithms
- Supports 4-stage video compression rate and multiple compression resolutions
- Two-way audio communication support for remote audio dialog
- Video stream buffering to counter pre-/post-event buffering and network delays for improved network recording reliability
- Remote monitoring via web browser or remote software
- Up to 10 simultaneous remote monitoring connections
- IP filtering, HTTPS, SSL, IEEE 802.1X, and configurable user authority levels for greater security
- Network bandwidth limitation and MAT features for more efficient use of network bandwidth
- Easy network access via UPnP (Universal Plug and Play) function and embedded mDNS (Multicast DNS) protocol
- Wide dynamic range compensation (True WDR) for improved video quality in high-contrast situations
- Slow shutter support for improved low-lighting video capture performance
- Day & Night feature (built-in IR cut filter changer)
- Quick and easy firmware upgrade over the network
- Redundant firmware and auto recovery features for improved system stability
- Network-based integrated management of multiple network cameras
- Multiple event detection modes
- Backup storage on a micro SD memory card as a safeguard against data loss during network interruptions
- Supports 12 VDC and PoE (Power over Ethernet)
- Includes a motorized focus and zoom lens
- Features a built-in heater for continued use in subzero temperature conditions *DC-D4537HRXA model only*
- IK10 and IP67-level for water resistant protection and dust proof against rain and dust *DC-D4537HRXA model only*
- Features a built-in microphone *DC-D4537RXA model only*

 Remote monitoring and recording via multi streaming are available using the IDIS Solution Suite Compact program. For more information on using IDIS Solution Suite Compact, refer to its **operation manual**.

 There is a limit to the number of users allowed to connect remotely via the Internet at the same time.

## Accessories

Upon purchasing the product, check inside the box to make sure all the following accessories are included.

			
DC-D4537RXA	DC-D4537HRXA	Terminal Blocks (2 ea.)	
Network Camera			
			
Desiccant (3ea.), double-sided tape (2ea.)		Allen Wrench	
			
Quick Guide		DC-D4537RXA Screws and Anchors (each 2ea.)	DC-D4537HRXA Screws and Anchors (each 3ea.)
			
Protect Connector		Guide Pattern	

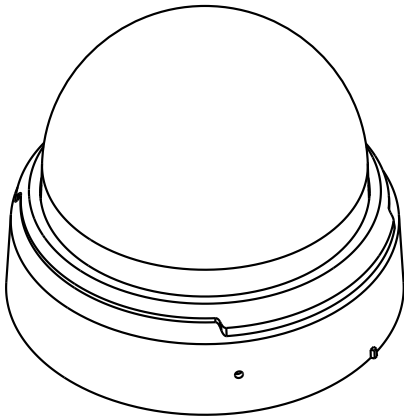


An allen wrench, protect connector, double-sided tape and desiccant are included with *DC-D4537HRXA model* only.

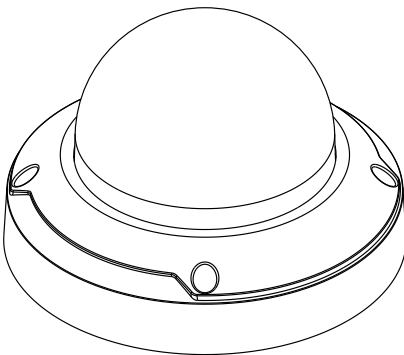
## Overview

### Dome Cover

DC-D4537RXA

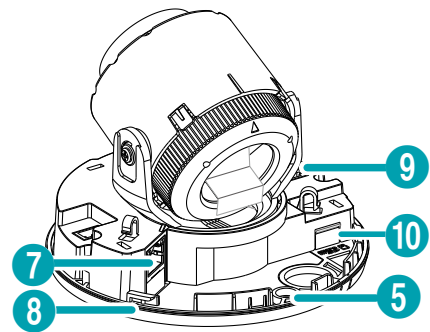
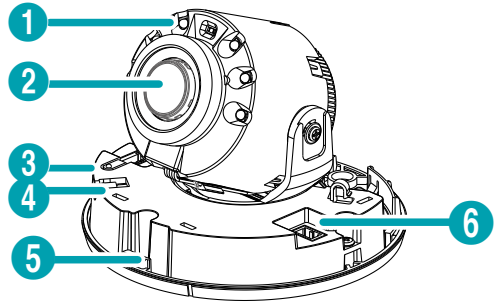


DC-D4537HRXA

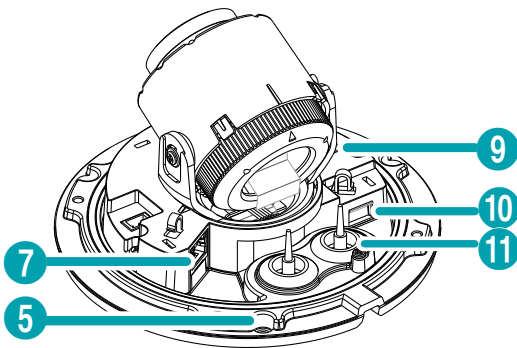
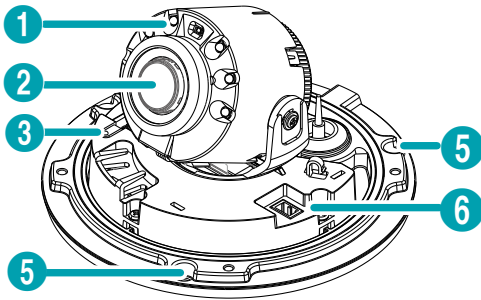


### Body

DC-D4537RXA



DC-D4537HRXA



1	IR LED
2	Lens
3	Factory Reset Button
4	Built-in Microphone
5	Wall/Ceiling Installation Hole
6	Power
7	Network Port
8	Dome Cover Assembly Part
9	Alarm I/O, Audio I/O
10	SD Memory Card Slot
11	Cable Rubber

• **IR LED**

A sensor in the middle monitors lighting levels and activates the IR LED during low-lighting conditions.

• **Lens**

A motorized focus and zoom lens is installed.

• **Factory Reset Button**

Restores the camera's default factory settings. For more information, refer to the **Factory Reset**.

• **Built-in Microphone** *DC-D4537RXA model only*

Receives audio.

• **Wall/Ceiling Installation Hole**

Used to screw the camera in place on a wall or a ceiling.

• **Power (DC12V)**

Connect this to the power adapter. A A-type jack is used for the power adapter. (External diameter x internal diameter: 5.5 x 2.5)

• **Network Port**

Connect a network cable with an RJ-45 connector to this port. If using a PoE switch, you can supply power to the camera using an Ethernet cable. For more information on PoE switch use, refer to the switch manufacturer's operation manual. You can configure, manage, and upgrade this camera and monitor its images from a remote computer over the network. For more information on network connection setup, refer to the **IDIS Discovery operation manual**.



The table below shows the network cable specifications.

<The network cable specifications>

Item	Content	Note
Connector	RJ-45	
Ethernet	10/100 Base	10/100 Mbps
Cable	UTP Category 5e or higher	
Maximum length	100m	
PoE	IEEE 802.3af, Class 3	

• **Dome Cover Assembly Part**

The dome cover rotates on the bottom cover and is tightened.

• **Audio**

- **O (Out):** Connect an amplifier to this port (line out). This device does not feature a built-in audio amplifier unit and therefore requires the user to purchase a separate speaker system with a built-in amplifier.

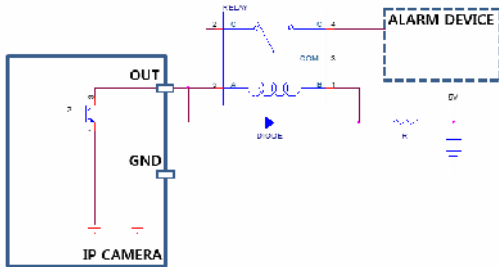
- **I (In):** Connect an audio source to this port. (Line in) A built-in microphone is featured on the front. *DC-D4537RXA model only*

• **Alarm**

- **O (Out):** It is the BJT (Bipolar Junction Transistor) - open collector output. If the voltage and current exceed the specification limit (Max. Load: 30mA, Max. Voltage: 5VDC), the product could be damaged. When connecting the device which exceeds the specification limit, refer to the picture (circuit) below.



If used with an external inductive load (e.g. relay), a diode must be connected in parallel with the load for protection. Otherwise, the product could be damaged.



- **I (In):** Connect an alarm-in device to this port. (Mechanism: Choose between an NC (Normally Closed) type or an NO (Normally Open) type) → Connect a mechanical or electrical switch to the alarm in port and the GND (ground) connector. Alarm in range is 0V to 5V. In order to detect alarm input from an electrical switch, the signal must be higher than 4.3V from an NC switch or less than 0.3V from an NO switch and must last for longer than 0.5 seconds.

• **SD Memory Card Slot**

Used to insert a micro SD memory card into the camera. (An SLC (Single Level Cell) or MLC (Multi Level Cell) card by San Disk or Transcend is recommended)



- Do not remove the SD memory card while the system is in operation. Removing the card while the system is in operation can cause the system to malfunction and/or corrupt data stored on the SD memory card.
- An SD memory card is a consumable product with a finite service life. Prolonged use will damage the card's memory sectors and result in data loss or memory card failure. Test the SD memory card regularly and replace it whenever necessary.

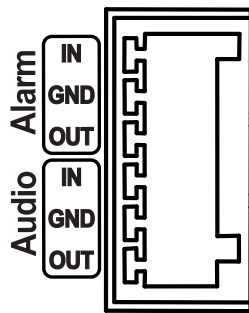
• **Cable Rubber**

Foreign matter may get inside if reconnecting is failed after removing the cable access hole rubber.



- Check your local laws and regulations on making video or audio recordings. The user will be held liable for any violation of the law.
- When switching over from 12 VDC to PoE as the power source, the system will be rebooted once the power adapter is disconnected.
- Organize the power cable so that it will not cause people to trip over or become damaged from chairs, cabinets, desks, and other objects in the vicinity. Do not run the power cable underneath carpet or a rug or plug the cable into a power outlet shared by a number of other devices.

I/O Connector



<b>Alarm</b>	<b>In</b>	Alarm In
	<b>GND</b>	Grounding
	<b>Out</b>	Alarm Out (Active Low - Open Collector Output)
<b>Audio</b>	<b>In</b>	Audio In
	<b>GND</b>	Grounding
	<b>Out</b>	Audio Out

## Factory Reset

Only use the factory reset button to restore the camera to its factory default settings.

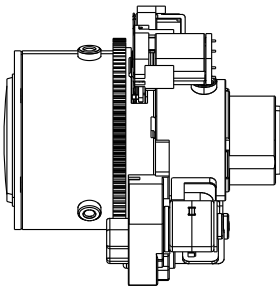
- A factory reset will clear all camera settings configured by the user.

- 1 Shut off the power supply.
- 2 Remove the dome cover and then press the reset button down.
- 3 Hold the button down and reconnect the power adapter.
- 4 Once the device turns back on, wait 5 seconds, and then release the reset button.
- 5 The device will go through the resetting process and reboot. All camera settings will be restored to their factory defaults after the reboot.

It's also possible to do a factory reset by pressing and releasing the reset button while the camera is turned on or using the IDIS Discovery program from a remote location. A factory reset will reboot the system. For more information on factory reset, refer to the **IDIS Discovery operation manual**.

## Lens

### Motorized focus and zoom lens



- When installing or handling the camera, be careful not to give an impact on the lens to prevent a malfunction from occurring.

## Installation

Installation of this product does not require the use of special tools.

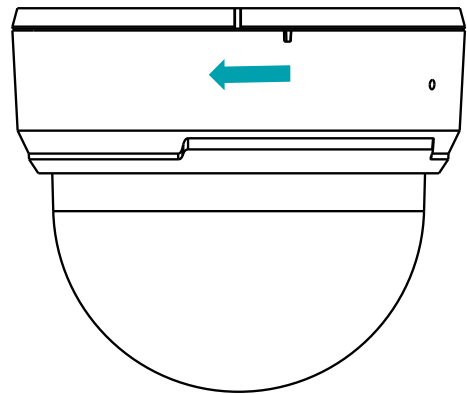
For more information on other devices comprising the overall system, refer to their respective **installation manuals**.

- Product color and design may vary depending on the model.

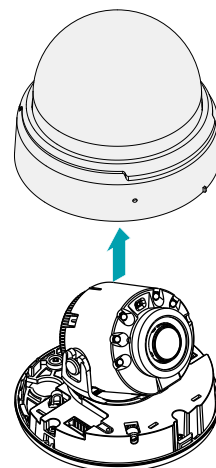
## Removing the Dome Cover

### DC-D4537RXA

- 1 Turn the dome cover counterclockwise.

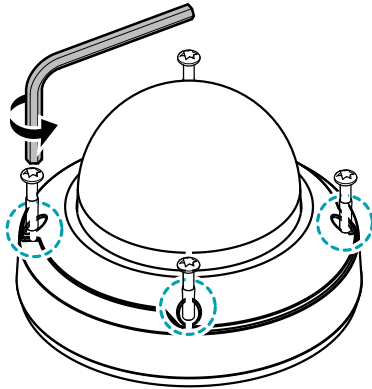


- 2 Remove the dome cover.

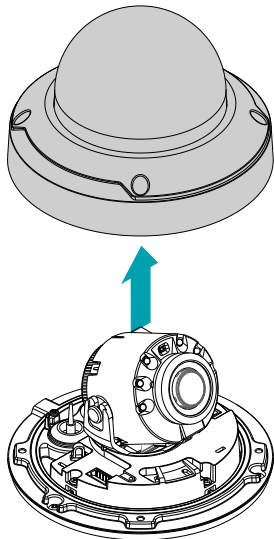


DC-D4537HRXA

- 1 Loosen the screws counterclockwise using the allen wrench provided with the product.



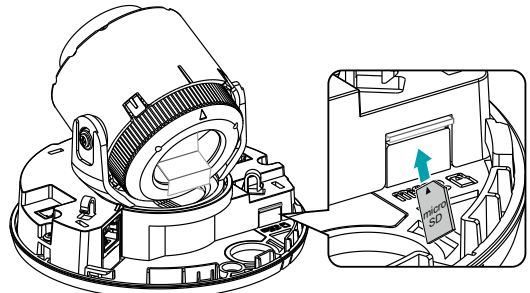
- 2 Remove the dome cover.



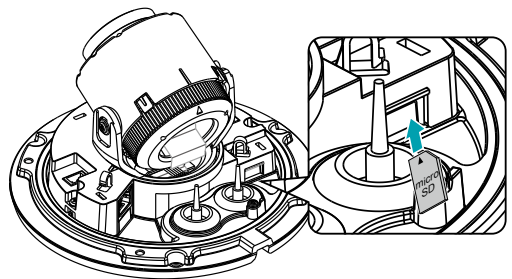
## Inserting a SD Memory Card

Insert a SD memory card into the SD memory card slot with the 'micro SD' print facing upward.

DC-D4537RXA



DC-D4537HRXA



- Push the SD memory card until it disengages from the slot, and then pull it out.

## Installation



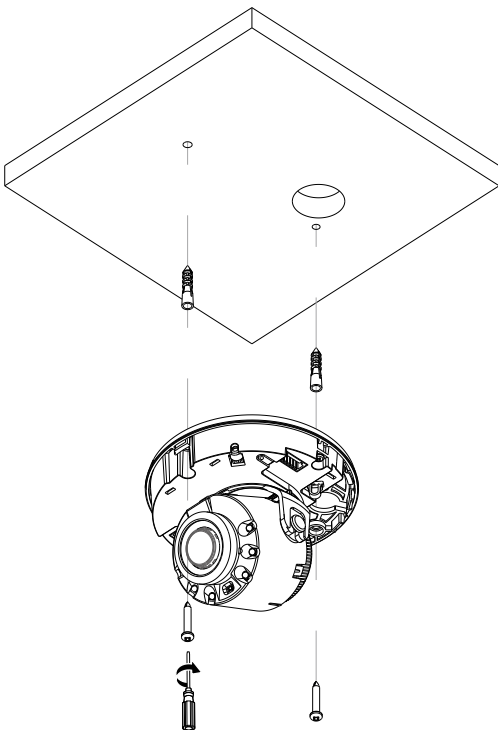
- Check the wall or ceiling to see if it needs to be reinforced. The camera may fall off if the wall or ceiling is not strong enough to support its weight.
- Install the camera in a shaded area. If the camera is installed in direct sunlight, it may be affected adversely.

### DC-D4537RXA

- 1 Use the screws, anchor provided with the camera to secure the install bracket on a wall or a ceiling.



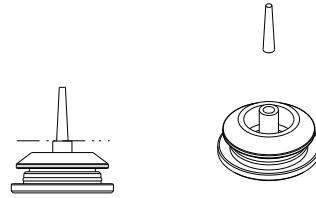
Use the provided guide pattern to check the distance between the screws.



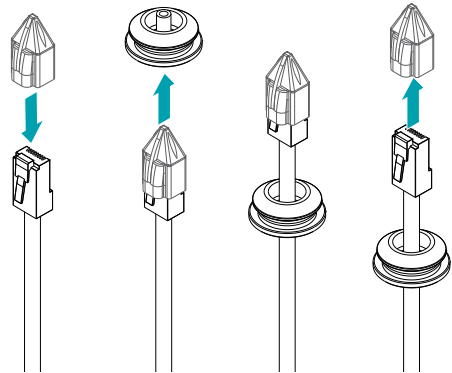
- 2 Connect external devices, the network cable, and the power adapter.
- 3 Adjust the angle. For more information, refer to the **Angle Adjustment**.

### DC-D4537HRXA

- 1 Detach the protrusion part from the cable rubber along the dotted line.

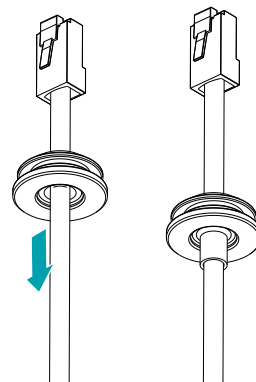


- 2 Make the LAN cable go through the cable rubber using the protect connector.



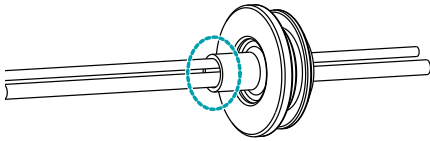
It is recommended to use lubricant to move the LAN cable smoothly.

- 3 Pull the cable slightly and arrange the rubber as shown below.

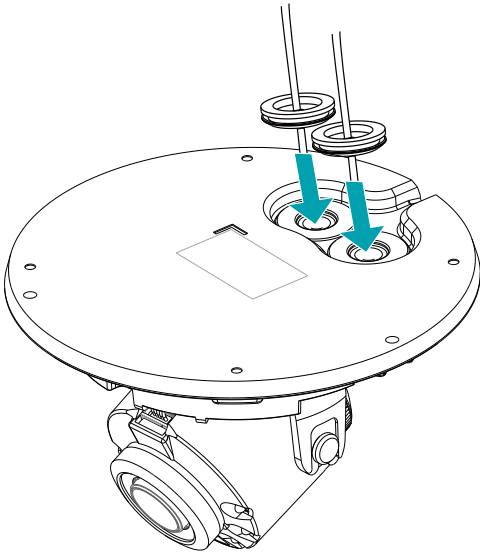


Part 1 – Introduction

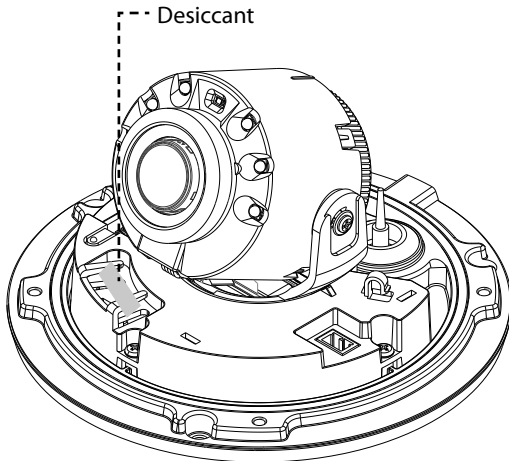
- ✓ To pass through a thin cable or more than two cables, it is advised to finish it using silicon to make sure waterproofed perfectly. (Silicon finishing part — refer to the bottom image.)



- 4 Assemble the cable rubber to the bottom cover.

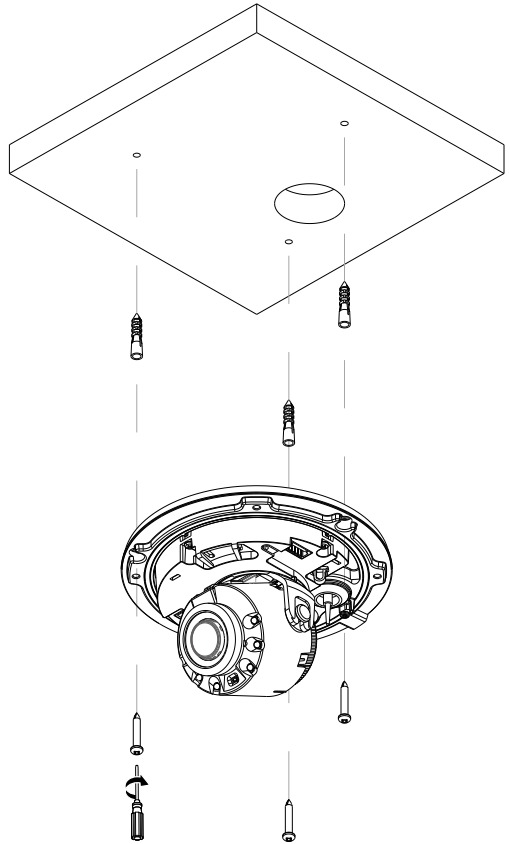


- 5 Attach the enclosed desiccant in the bottom to prevent moisture.



- 6 Use the screws, anchor provided with the camera to secure the install body on a wall or a ceiling.

- ✓ Use the provided guide pattern to check the distance between the screws.

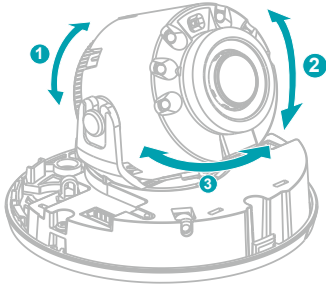


- 7 Connect external devices, the network cable, and the power adapter.

- 8 Adjust the angle. For more information, refer to the **Angle Adjustment**.

## Angle Adjustment

The lens can be rotated along three axes.



1	Lens Rotation	3	Horizontal Rotation
2	Vertical Rotation		

- **Lens Rotation**

Used to adjust the lens' rotation angle. Turn the lens rotator clockwise or counterclockwise direction.

- **Vertical Rotation**

Used to adjust the lens' vertical angle.

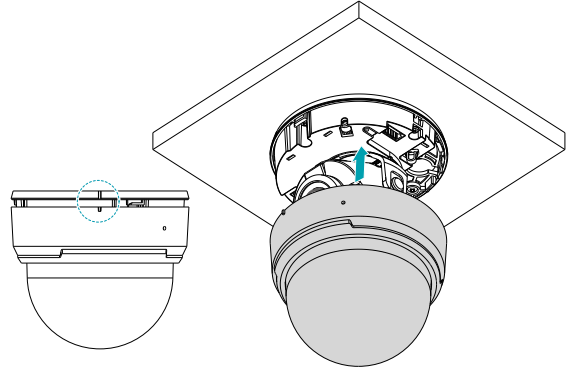
- **Horizontal Rotation**

Used to adjust the lens' horizontal angle. Turn the horizontal rotator in the clockwise or counterclockwise direction.

## Closing the Dome Cover

### DC-D4537RXA

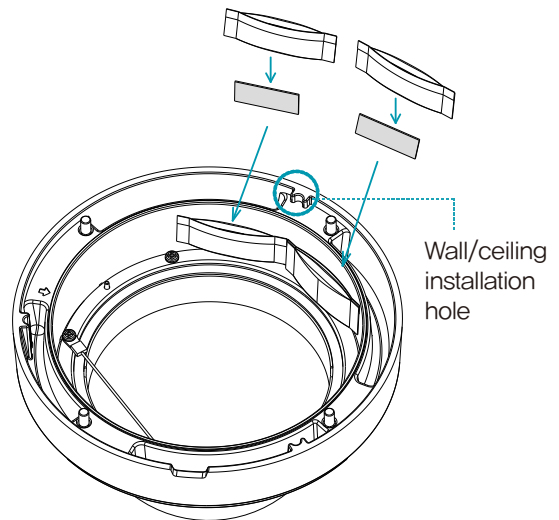
Attach the dome cover to the bottom cover in a straight line. Turn the dome cover clockwise to fasten the dome cover.



### DC-D4537HRXA

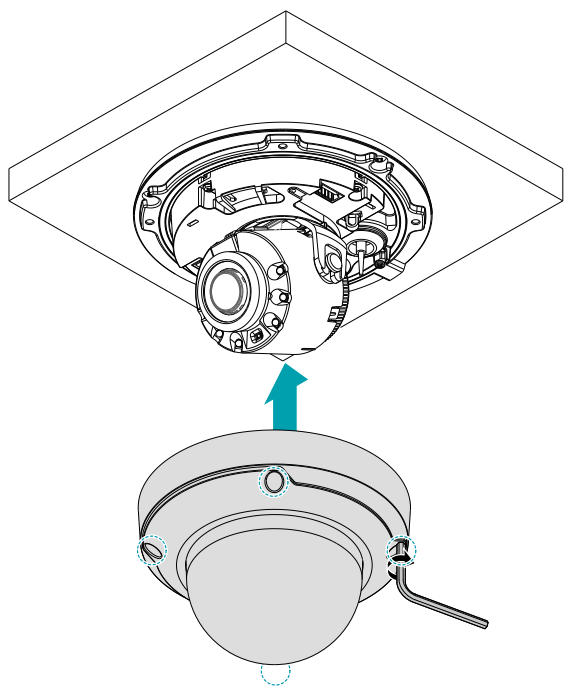
1 Attach the double-sided tape to the desiccant first, and attach it to the specified position inside the dome cover as shown below.

Check the location of the wall/ceiling installation hole.



Before closing the dome cover, make sure that the gasket ring is securely fixed.

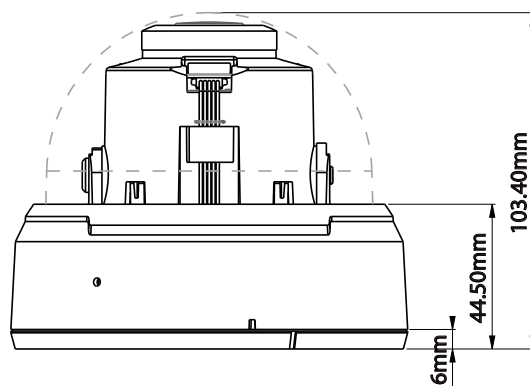
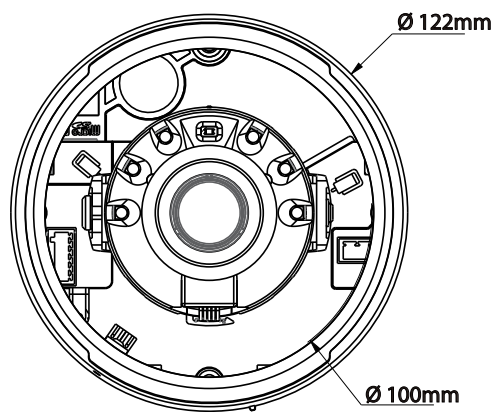
2 Fasten the screws for the dome cover clockwise using the Allen wrench provided with the camera.



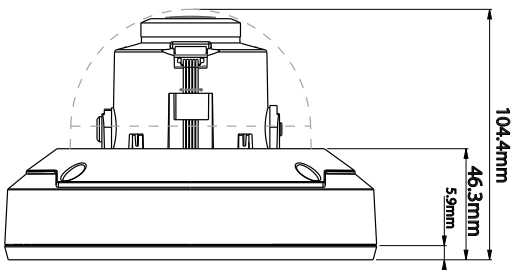
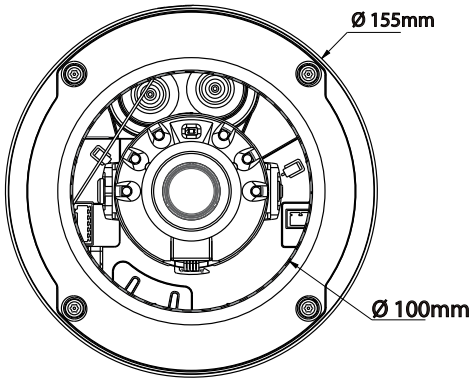
Remove the protective film inside and outside.

## Dimension

DC-D4537RXA



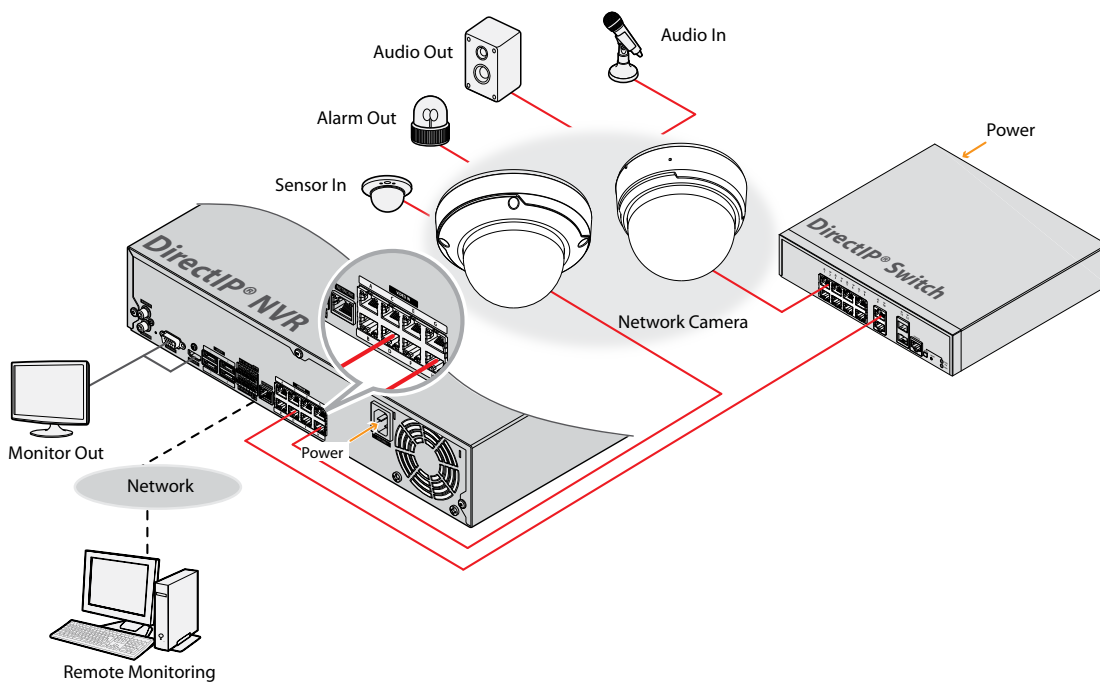
DC-D4537HRXA



## Part 2 - Camera Connection

Use the camera by connecting to DirectIP® NVR or non DirectIP® NVR, VMS such as IDIS Solution Suite Compact.

### With DirectIP® NVR-based Layout



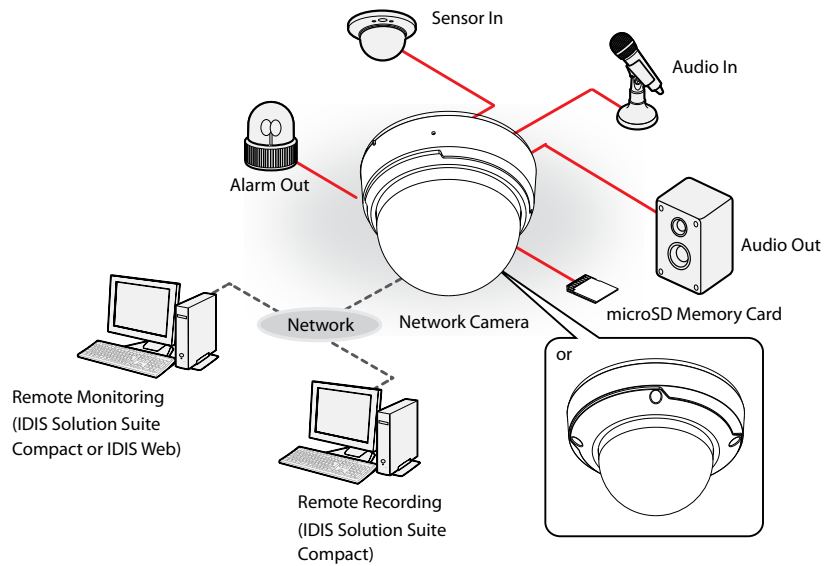
DirectIP® NVR makes it easy to use cameras without extra network configurations.

Each camera can be controlled via the DirectIP® NVR setup menu, without any PC.

For detailed camera settings, please see the camera setting pages of DirectIP® NVR manual.

**For users using the camera with DirectIP® NVR connection, do not need to consider contents in the camera operation manual.**

## With non DirectIP® NVR-based Layout



Control the camera over the network from software installed on a computer.

Ideal for using the camera over the network from a remote location.

**The contents in the camera operation manual are only for users using the camera with non DirectIP® NVR connection or VMS connection such as IDIS Solution Suite Compact.**

# Part 3 - Appendix

## Troubleshooting

Problem	Check
<b>The main unit won't turn on.</b>	<ul style="list-style-type: none"><li>• Check the power cable connection. If using a PoE switch to supply power to the camera using an Ethernet cable, check the Ethernet cable connection.</li><li>• Check the power outlet. If using a PoE switch to supply power to the camera using an Ethernet cable, check the PSE device's power supply.</li></ul>
<b>PoE switch isn't being recognized.</b>	Check the grounding status of the I/O device connected to the camera and the PoE switch. If they are not grounded, ground them and try again.
<b>I can't see Live videos.</b>	<ul style="list-style-type: none"><li>• Check the camera's power status.</li><li>• Ensure that cables are properly connected to the camera and the lens.</li><li>• Check the network connection status of the computer and the network camera.</li></ul>
<b>Images are blurry.</b>	<ul style="list-style-type: none"><li>• Make sure the lens is clean. If not, clean it using a soft piece of cloth or a brush.</li><li>• Make sure the lens is in focus. Adjust the focus during daytime.</li><li>• If there is too much light coming into the camera or the camera is picking up an overly bright light source, adjust the camera's position/angle accordingly.</li></ul>
<b>Video color appears incorrect.</b>	Check the white balance settings. If using the <b>Auto</b> option, it may take some time for the white balance to be adjusted.
<b>Images are blinking.</b>	If the camera is pointed at the sun or a fluorescent lamp, adjust the camera's angle away.
<b>Lost the admin ID and password and unable to connect to a network camera.</b>	You must perform a factory reset. A factory reset will revert all settings, including network settings, to their factory defaults. After performing a factory reset, make a memo of the admin ID and password as a safety precaution.
<b>Unable to launch IDIS Web.</b>	If the IDIS Web login screen is not loading, check which version of Microsoft Internet Explorer you are using. IDIS Web may not launch properly on versions 8.0 or below.

## Specifications



These product specifications may change without prior notice.

### Video

<b>Image Sensor</b>	1/2.8" CMOS	
<b>Max. Resolution</b>	2592 x 1944 (4:3) 2592 x 1456 (16:9)	
<b>Scanning Mode</b>	Progressive Scan	
<b>Lens type</b>	Motorized Vari-focal	
<b>Focal Length</b>	f=2.7 - 13.5mm	
<b>Aperture</b>	F=1.4 ~ 3.2	
<b>Iris Control</b>	DC Iris	
<b>Angular Field of View</b>	<b>5M (2592 x 1944)</b>	H : 101.2° (WIDE) ~ 30.4° (TELE) V : 72.57° (WIDE) ~ 22.8° (TELE) D : 137.4° (WIDE) ~ 38° (TELE)
	<b>4M (2592 x 1456)</b>	H : 101.7° (WIDE) ~ 30.2° (TELE) V : 53.3° (WIDE) ~ 17° (TELE) D : 121.6° (WIDE) ~ 34.7° (TELE)
<b>Min. Illumination</b>	COLOR : 0.15 lux @ F1.4 B/W : 0 lux (IR LED ON)	
<b>Dynamic Range</b>	120dB, True WDR	
<b>Electronic Shutter Speed</b>	Auto / Manual (1/30 ~ 1/10,000), Anti-Flicker, Slow Shutter ( <b>25 ips:</b> 1/12.5, 1/6.25 <b>30ips:</b> 1/15, 1/7.5)	
<b>Day &amp; Night</b>	IR cut filter with auto switch	
<b>IR Distance (LEDs)</b>	30m (6ea)	
<b>Pan/Tilt Range</b>	Pan: -175° ~ 175°, Tilt: 0° ~ 64°, Rotate: -177° ~ 177°	

### Network

<b>Video Compression</b>	H.265, H.264(MP), M-JPEG
<b>Bit rate Control</b>	CBR / VBR
<b>Max. Frame Rate</b>	4:3 mode : 30fps : 2592 x 1944(WDR)
	16:9 mode : 30fps : 2592 x 1456(WDR)
<b>Audio Compression</b>	G.726, ADPCM-16K, G.711u-Law, G.711a-Law
<b>Supported Resolution</b>	4:3 : 2592x1944, 1920x1440, 1280x960, 640x480
	16:9 : 2592x1456, 1920x1080, 1280x720, 640x360
<b>Multi-Video Streaming</b>	Quadruple
<b>Ethernet</b>	RJ45(10/100BASE-T)

<b>Edge Storage* (Optional)</b>	 (Micro SD/SDHC/SDXC memory card (class 6 or higher, max. 512GB))
---------------------------------	--

\* An SLC (Single Level Cell) or MLC (Multi Level Cell) card by SanDisk or Transcend is recommended to ensure stable recording performance.

\* An SD memory card is a consumable product with a finite service life. Prolonged use will damage the card's memory sectors and result in data loss or memory card failure. Test the SD memory card regularly and replace it whenever necessary.

\* microSD Logo is a trademark of SD-3C, LLC.

## I/O

<b>Audio In/Out</b>	Line-in 1ea / Line-out 1ea / Internal Mic 1ea( <i>DC-D4537RXA only</i> )
<b>Alarm In</b>	1 TTL, NC/NO Programmable, 4.3V(NC) or 0.3V(NO) threshold, 5V DC
<b>Alarm Out</b>	1 TTL open collector, Max. load: 30mA, Max. voltage: 5VDC

## General

<b>Operating Temperature</b>	<b>DC-D4537RXA</b>	-10°C ~ +50°C (14°F ~ +122°F)
	<b>DC-D4537HRXA</b>	-40°C ~ +55°C (-40°F ~ +131°F)
<b>Boot Up Temperature</b>	<b>DC-D4537RXA</b>	0°C ~ +50°C (32°F ~ +122°F)
	<b>DC-D4537HRXA</b>	-20°C ~ +55°C (-4°F ~ +131°F)
<b>Operating Humidity</b>		0% ~ 90%
<b>Power Source</b>		12V $\overline{\text{---}}$ , PoE(IEEE 802.3af, Class 3)
<b>Power Consumption</b>	<b>DC-D4537RXA</b>	12V $\overline{\text{---}}$ , 1A, 12W POE, IEEE 802.3af(Class 3), 9.5W
	<b>DC-D4537HRXA</b>	12V $\overline{\text{---}}$ , 1.1A, 13.2W PoE, IEEE 802.3af(Class 3), 10W
<b>Approval</b>	<b>DC-D4537RXA</b>	FCC, CE
	<b>DC-D4537HRXA</b>	FCC, CE, IP67, IK10
<b>External Dimensions (Ø x H)</b>	<b>DC-D4537RXA</b>	122mm x 103.40mm (4.8" x 4.07")
	<b>DC-D4537HRXA</b>	155mm x 104.4mm (6.1" x 4.11")
<b>Weight (Main Unit)</b>	<b>DC-D4537RXA</b>	0.34kg (0.74lb)
	<b>DC-D4537HRXA</b>	0.98kg (2.16lb)



**IDIS Co., Ltd.**

For more information, please visit at  
[www.idisglobal.com](http://www.idisglobal.com)