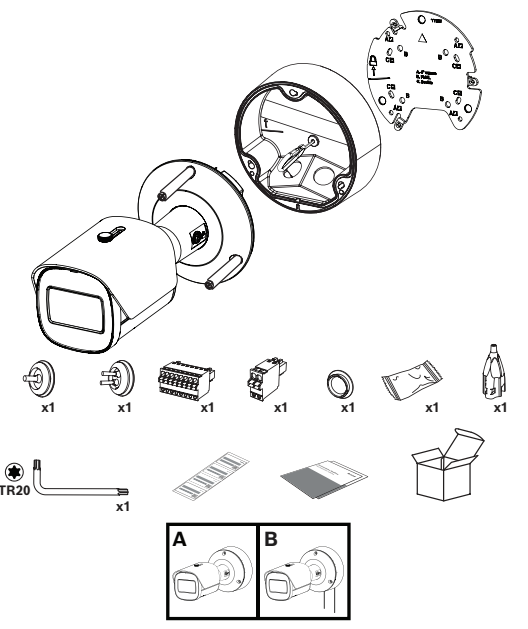
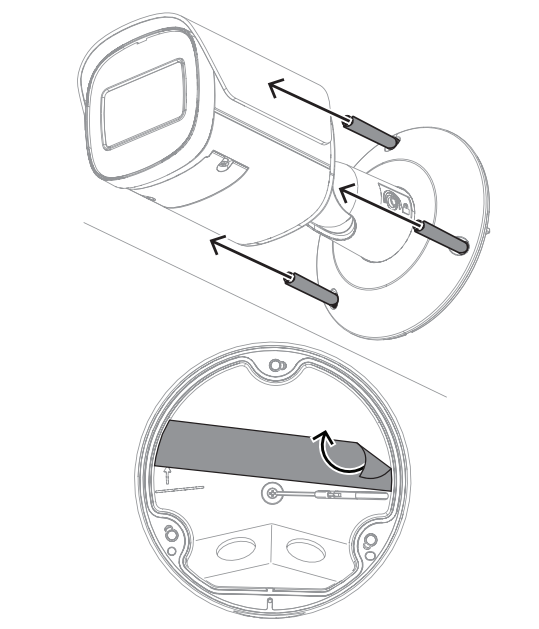


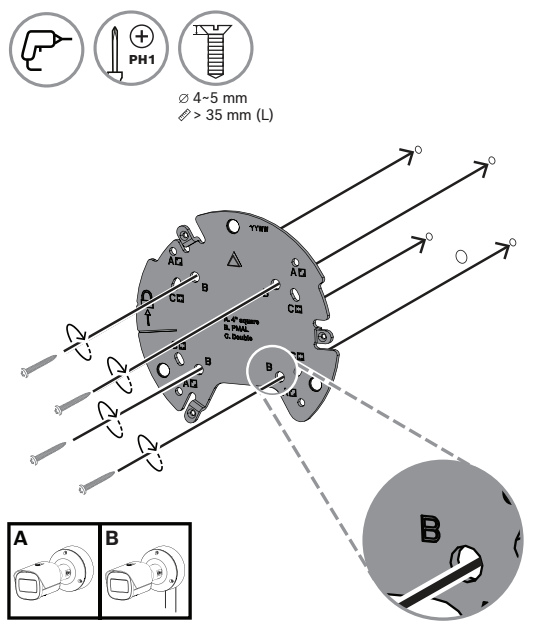
1 |



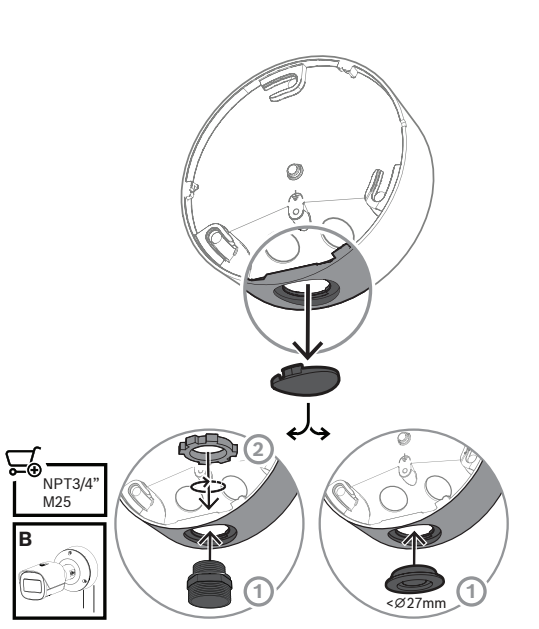
2 |



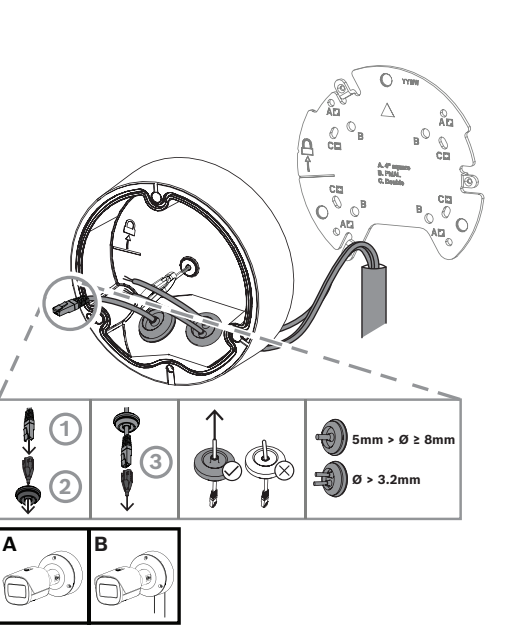
3 |



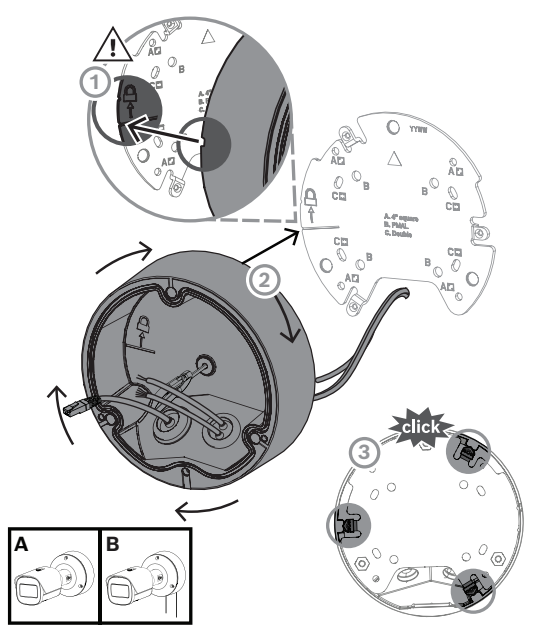
4 |



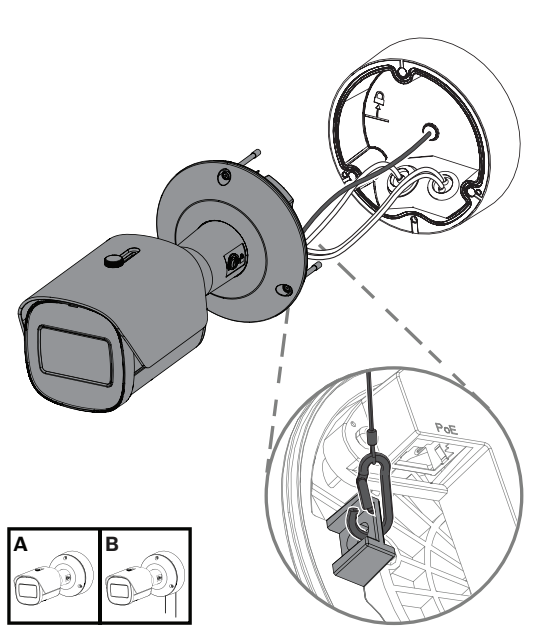
5 |



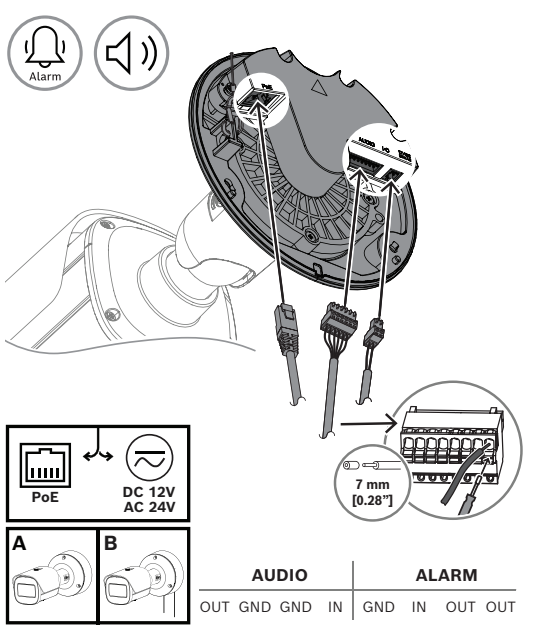
6 |



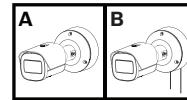
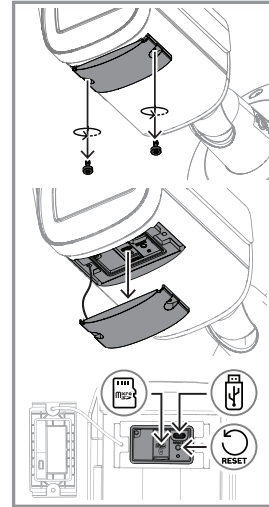
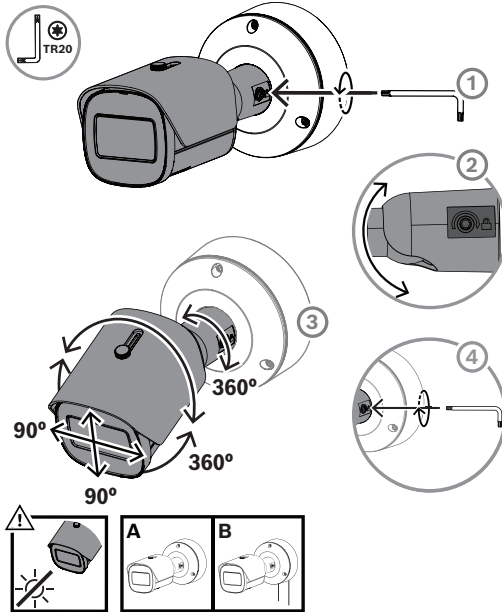
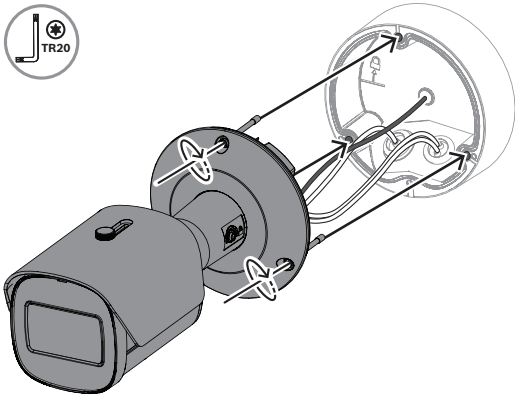
7 |



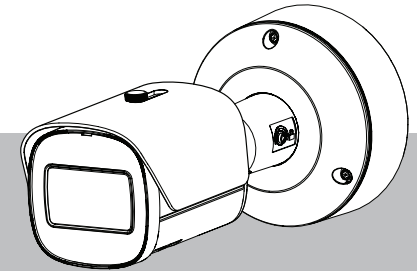
8 |



AUDIO		ALARM	
OUT	GND	GND	IN
		IN	OUT



DINION 5100i | DINION 5100i IR
NBE-5702-AL | NBE-5703-AL | NBE-5704-AL
| NBE-5702-AL-GOV | NBE-5703-AL-GOV |
NBE-5704-AL-GOV



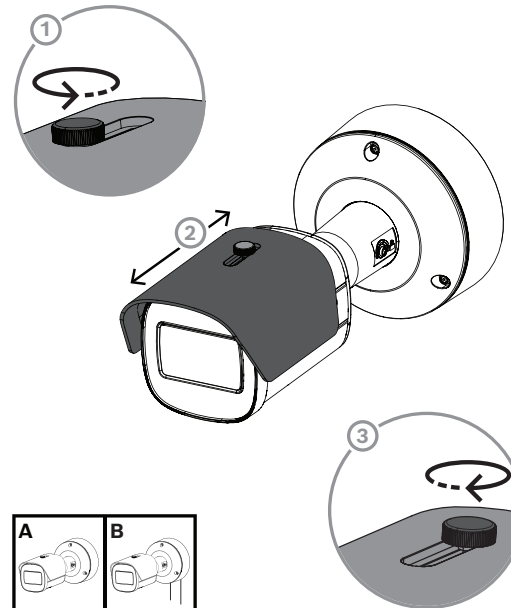
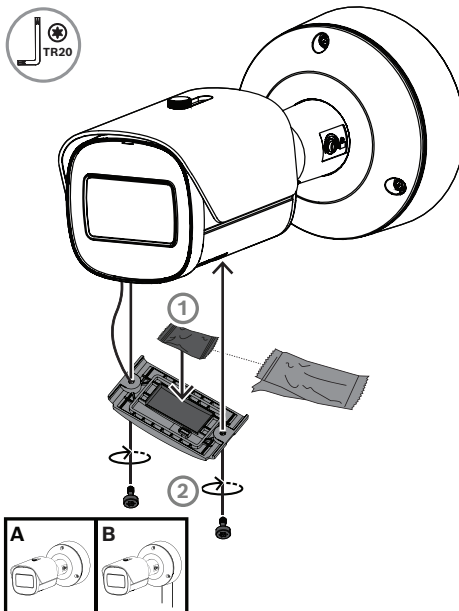
en Quick installation guide



Project Assistant app
Windows | iOS | Android



<https://downloadstore.boschsecurity.com/>



Bosch Security Systems B.V.
Torenallee 49
5617 BA Eindhoven
Netherlands
www.boschsecurity.com
© Bosch Security Systems B.V., 2023