



**HIKVISION**

# Explosion-Proof Dome Network Camera

Quick Start Guide



## About this Document

- This Document includes instructions for using and managing the Product. Pictures, charts, images and all other information hereinafter are for description and explanation only.
- The information contained in the Document is subject to change, without notice, due to firmware updates or other reasons. Please find the latest version of the Document at the Hikvision website (<https://www.hikvision.com>). Unless otherwise agreed, Hangzhou Hikvision Digital Technology Co., Ltd. or its affiliates (hereinafter referred to as "Hikvision") makes no warranties, express or implied.
- Please use the Document with the guidance and assistance of professionals trained in supporting the Product.

## About this Product

This product can only enjoy the after-sales service support in the country or region where the purchase is made.

## Acknowledgment of Intellectual Property Rights

- Hikvision owns the copyrights and/or patents related to the technology embodied in the Products described in this Document, which may include licenses obtained from third parties.
- Any part of the Document, including text, pictures, graphics, etc., belongs to Hikvision. No part of this Document may be excerpted, copied, translated, or modified in whole or in part by any means without written permission.
- **HIKVISION** and other Hikvision's trademarks and logos are the properties of Hikvision in various jurisdictions.



- Other trademarks and logos mentioned are the properties of their respective owners.

#### **LEGAL DISCLAIMER**

- TO THE MAXIMUM EXTENT PERMITTED BY APPLICABLE LAW, THIS DOCUMENT AND THE PRODUCT DESCRIBED, WITH ITS HARDWARE, SOFTWARE AND FIRMWARE, ARE PROVIDED "AS IS" AND "WITH ALL FAULTS AND ERRORS". HIKVISION MAKES NO WARRANTIES, EXPRESS OR IMPLIED, INCLUDING WITHOUT LIMITATION, MERCHANTABILITY, SATISFACTORY QUALITY, OR FITNESS FOR A PARTICULAR PURPOSE. THE USE OF THE PRODUCT BY YOU IS AT YOUR OWN RISK. IN NO EVENT WILL HIKVISION BE LIABLE TO YOU FOR ANY SPECIAL, CONSEQUENTIAL, INCIDENTAL, OR INDIRECT DAMAGES, INCLUDING, AMONG OTHERS, DAMAGES FOR LOSS OF BUSINESS PROFITS, BUSINESS INTERRUPTION, OR LOSS OF DATA, CORRUPTION OF SYSTEMS, OR LOSS OF DOCUMENTATION, WHETHER BASED ON BREACH OF CONTRACT, TORT (INCLUDING NEGLIGENCE), PRODUCT LIABILITY, OR OTHERWISE, IN CONNECTION WITH THE USE OF THE PRODUCT, EVEN IF HIKVISION HAS BEEN ADVISED OF THE POSSIBILITY OF SUCH DAMAGES OR LOSS.
- YOU ACKNOWLEDGE THAT THE NATURE OF THE INTERNET PROVIDES FOR INHERENT SECURITY RISKS, AND HIKVISION SHALL NOT TAKE ANY RESPONSIBILITIES FOR ABNORMAL OPERATION, PRIVACY LEAKAGE OR OTHER DAMAGES RESULTING FROM CYBER-ATTACK, HACKER ATTACK, VIRUS INFECTION, OR OTHER INTERNET SECURITY RISKS; HOWEVER, HIKVISION WILL PROVIDE TIMELY TECHNICAL SUPPORT IF REQUIRED.
- YOU AGREE TO USE THIS PRODUCT IN COMPLIANCE WITH ALL



APPLICABLE LAWS, AND YOU ARE SOLELY RESPONSIBLE FOR ENSURING THAT YOUR USE CONFORMS TO THE APPLICABLE LAW. ESPECIALLY, YOU ARE RESPONSIBLE, FOR USING THIS PRODUCT IN A MANNER THAT DOES NOT INFRINGE ON THE RIGHTS OF THIRD PARTIES, INCLUDING WITHOUT LIMITATION, RIGHTS OF PUBLICITY, INTELLECTUAL PROPERTY RIGHTS, OR DATA PROTECTION AND OTHER PRIVACY RIGHTS. YOU SHALL NOT USE THIS PRODUCT FOR ANY PROHIBITED END-USES, INCLUDING THE DEVELOPMENT OR PRODUCTION OF WEAPONS OF MASS DESTRUCTION, THE DEVELOPMENT OR PRODUCTION OF CHEMICAL OR BIOLOGICAL WEAPONS, ANY ACTIVITIES IN THE CONTEXT RELATED TO ANY NUCLEAR EXPLOSIVE OR UNSAFE NUCLEAR FUEL-CYCLE, OR IN SUPPORT OF HUMAN RIGHTS ABUSES.

- IN THE EVENT OF ANY CONFLICTS BETWEEN THIS DOCUMENT AND THE APPLICABLE LAW, THE LATTER PREVAILS.

© Hangzhou Hikvision Digital Technology Co., Ltd. All rights reserved.

## **Regulatory Information**

---

**These clauses apply only to the products bearing the corresponding mark or information.**

---

### **FCC Information**

Please take attention that changes or modification not expressly approved by the party responsible for compliance could void the user's authority to operate the equipment.



**FCC compliance:** This equipment has been tested and found to comply with the limits for a Class A digital device, pursuant to part 15 of the FCC Rules. These limits are designed to provide reasonable protection against harmful interference when the equipment is operated in a commercial environment. This equipment generates, uses, and can radiate radio frequency energy and, if not installed and used in accordance with the instruction manual, may cause harmful interference to radio communications. Operation of this equipment in a residential area is likely to cause harmful interference in which case the user will be required to correct the interference at his own expense.

#### **FCC Conditions**

This device complies with part 15 of the FCC Rules. Operation is subject to the following two conditions:

1. This device may not cause harmful interference.
2. This device must accept any interference received, including interference that may cause undesired operation.

#### **EU Conformity Statement**



This product and - if applicable - the supplied accessories too are marked with "CE" and comply therefore with the applicable harmonized European standards listed under the EMC Directive 2014/30/EU, the RoHS Directive 2011/65/EU, the ATEX Directive 2014/34/EU.

Note: The products with the input voltage of within 50 to 1000 VAC or 75 to 1500 VDC comply with Directive 2014/35/EU (LVD), and the rest products comply with Directive 2001/95/EC (GPSD). Please check the specific power supply information for reference.



The full text of the EU declaration of conformity is available at the following internet address:

<https://www.hikvision.com/en/support/compliance/declaration-of-conformity>.



Directive 2012/19/EU (WEEE Directive): Products marked with this symbol cannot be disposed of as unsorted municipal waste in the European Union.



For proper recycling, return this product to your local supplier upon the purchase of equivalent new equipment, or dispose of it at designated collection points. For more information see:

[www.recyclethis.info](http://www.recyclethis.info).



Directive 2006/66/EC and its amendment 2013/56/EU (Battery Directive): This product contains a battery that cannot be disposed of as unsorted municipal waste in the European Union.

See the product documentation for specific battery information. The battery is marked with this symbol, which may include lettering to indicate cadmium (Cd), lead (Pb), or mercury (Hg). For proper recycling, return the battery to your supplier or to a designated collection point. For more information see:

[www.recyclethis.info](http://www.recyclethis.info).

### Intended use of the camera

**ATEX:**  II 2 G D Ex db IIC T6 Gb/Ex tb IIIC T80°C Db IP68

**IECEX:** Ex db IIC T6 Gb/Ex tb IIIC T80°C Db IP68

**Hazardous Area Classification:** Zone 1, Zone 2, Zone 21, Zone 22.

**IP Degree:** IP68 (2m, 2h)

**Ex Standards:**

IEC 60079-0: 2017	EN IEC 60079-0:2018
IEC 60079-1: 2014	EN 60079-1: 2014
IEC 60079-31: 2022	EN 60079-31: 2014

**Nameplate:**

<b>Explosion-Proof Fixed Dome 1</b>		<b>WARNING: DO NOT OPEN WHEN ENERGIZED POTENTIAL ELECTROSTATIC CHARGING HAZARD - SEE INSTRUCTIONS</b>
Product Model: DS-2XE61xxx	Temperature: -40°C~ +60°C	
Protection Level: IP68(2m/2h)	Working Voltage:DC9~16V/POE (IEEE 802.3af 36-57V)	
Working Current: ≤1000mA	Product No.: xxxxxxxxxxxx	
Product No.: xxxxxxxxxxxx	Date of Production: xxxxxx	
TUV 17 ATEX 8089X	IECEX TUR 17.0041X	
II 2 G Ex db IIC T6 Gb	Ex db IIC T6 Gb	
II 2 D Ex tb III C T80°C Db	Ex tb III C T80°C Db	
Hangzhou Hikvision Digital Technology Co., Ltd. No.555 Qianmo Road, Binjiang District, Hangzhou, China		

**Special Conditions for Safe Use:**

1. The equipment shall be installed and maintained such that hazards caused by electrostatic discharge are excluded and that there is a low risk of mechanical danger.
2. Specific guidance noted to contact the original manufacturer for information on the dimension of the flameproof joints.
3. The external cable connections and plugs shall be protected by a type of Ex protection, and the installation shall comply with requirements of IEC 60079-14.



## Industry Canada ICES-003 Compliance

This device meets the CAN ICES-3 (A)/NMB-3(A) standards requirements.

### KC

A 급 기기: 이 기기는 업무용(A 급) 전자파적합기기로서 판매자 또는 사용자는 이 점을 주의하시기바라며, 가정 외의 지역에서 사용하는 것을 목적으로 합니다.

### Warning:

This is a class A product. In a domestic environment this product may cause radio interference in which case the user may be required to take adequate measures.



## Safety Instruction

These instructions are intended to ensure that user can use the product correctly to avoid danger or property loss.

The precaution measure is divided into “Warnings” and “Cautions”

**Warnings:** Serious injury or death may occur if any of the warnings are neglected.

**Cautions:** Injury or equipment damage may occur if any of the cautions are neglected.

 <b>Danger</b>	 <b>Caution</b>
Indicates a hazard with a high level of risk, which if	Indicates a potentially hazardous situation, which if not avoided, could result in equipment damage,



not avoided, will result in death or serious injury.

data loss, performance degradation, or unexpected results.



**Danger**

- CAUTION: Hot parts! Burned fingers when handling the parts.



Wait one-half hour after switching off before handling parts. This sticker is to indicate that the marked item can be hot

and should not be touched without taking care. For device with this sticker, this device is intended for installation in a restricted access location, access can only be gained by service persons or by users who have been instructed about the reasons for the restrictions applied to the location and about any precautions that shall be taken.

- Grounding:

The both internal and external earthing shall be connected reliably.

Ground wire cross-sectional area of not less than the phase connector cross-sectional area level, at least 4 mm<sup>2</sup>.

- All the electrical operation should be strictly compliance with the electrical safety regulations, fire prevention regulations and other related regulations of the nation and region.
- Make sure that the power has been disconnected before you wire, install or disassemble the camera. Never wire, install or disassemble the camera in explosive environment.



- The power source should meet limited power source or PS2 requirements according to IEC 60950-1 or IEC 62368-1 standard.
- Do not connect several devices to one power adapter as adapter overload may cause over-heating or a fire hazard.
- To avoid fire danger caused by electrostatic charge, never touch or wipe the camera in explosive environment. Perform the wiping and replacing accessories only under non-explosive environment with the provided glove.
- When the camera is installed on wall or ceiling, the device shall be firmly fixed.
- If smoke, odors or noise rise from the camera, turn off the power at once and unplug the power cable, and then contact the service center.
- If the camera does not work properly, contact your dealer or the nearest service center. Never attempt to disassemble the speed dome yourself. (We shall not assume any responsibility for problems caused by unauthorized repair or maintenance.)



### Caution

- Make sure the power supply voltage is correct before using the camera.
- Do not drop the camera or subject it to physical shock.
- To ensure explosion-proof performance, do not damage explosion-proof surface.
- Do not touch sensor modules with fingers. If cleaning is necessary, use clean cloth with a bit of ethanol and wipe it



gently. If the camera will not be used for an extended period, please replace the lens cap to protect the sensor from dirt.

- Do not aim the camera at the sun or extra bright places. Blooming or smearing may occur otherwise (which is not a malfunction), and affect the endurance of sensor at the same time.
- The sensor may be burned out by a laser beam, so when any laser equipment is in using, make sure that the surface of sensor will not be exposed to the laser beam.
- Do not place the camera in extremely hot, cold (the operating temperature shall be  $-40^{\circ}\text{C}$  to  $+60^{\circ}\text{C}$ ), dusty or damp locations, and do not expose it to high electromagnetic radiation.
- To avoid heat accumulation, good ventilation is required for operating environment.
- To prevent accumulation of electrostatic charge, only damp cloth can be used during the cleaning.
- Keep the camera away from liquid while in use.
- While in delivery, the camera shall be packed in its original packing, or packing of the same texture.
- Improper use or replacement of the battery may result in hazard of explosion. Replace with the same or equivalent type only. Dispose of used batteries according to the instructions provided by the battery manufacturer.
- CAUTION: Risk of explosion if the battery is replaced by an incorrect type. Dispose of used batteries according to the instructions



ATTENTION: IL Y A RISQUE D'EXPLOSION SI LA BATTERIE EST REMPLACÉE PAR UNE BATTERIE DE TYPE INCORRECT. METTRE AU REBUT LES BATTERIES USAGÉES CONFORMÉMENT AUX INSTRUCTIONS

- Improper replacement of the battery with an incorrect type may defeat a safeguard (for example, in the case of some lithium battery types).
- Do not dispose of the battery into fire or a hot oven, or mechanically crush or cut the battery, which may result in an explosion.
- Do not leave the battery in an extremely high temperature surrounding environment, which may result in an explosion or the leakage of flammable liquid or gas.
- Do not subject the battery to extremely low air pressure, which may result in an explosion or the leakage of flammable liquid or gas.
- If the product does not work properly, please contact your dealer or the nearest service center. Never attempt to disassemble the camera yourself. (We shall not assume any responsibility for problems caused by unauthorized repair or maintenance.)



## Table of Contents

<b>1 Introduction</b> .....	<b>13</b>
1.1 Overview.....	13
1.2 Model Description.....	13
<b>2 Appearance Description</b> .....	<b>15</b>
1.2 Overview.....	15
1.3 Cable Description .....	16
<b>3 Installation</b> .....	<b>17</b>
1.4 Wall Mounting .....	18
1.5 Pendant Mounting .....	20
<b>4 Activate and Access Network Camera</b> .....	<b>22</b>



# 1 Introduction

## 1.1 Overview

Explosion-proof network camera is a video security product capable of smart encoding and network transmitting. It adopts an embedded system and a high-performed hardware process platform to achieve good stability and reliability.

You can visit and configure your camera via web browser and client software.

Explosion-proof network camera adopts a stainless steel enclosure, receiving an IP68 rating for ingress protection.

**Application Scenarios:** oil industry, mine fields, chemical industry, port, grain processing industry, etc.

## 1.2 Model Description

This manual is applicable to the following models:

Table 1-1 Applicable Model List

Model List		
DS-2XE6126FWD-HS	DS-2XE6167F-HS	DS-2XE6145G0-
DS-2XE6136F-HS	DS-2XE6126FWD-S	HSCKV
DS-2XE6146F-HS	DS-2XE6146F-S	DS-2XE6145G0-
DS-2XE6166F-HS	DS-2XE6166F-S	HSUVS
DS-2XE6186F-HS	DS-2XE6186F-S	DS-2XE6145G0-
DS-2XE6127FWD-HS	DS-2XE6145G0-HS	HSKVO
DS-2XE6147F-HS	DS-2XE6145G0-	DS-2XE6145G0-
DS-2XE6157F-HS	HSUHK	HSUN

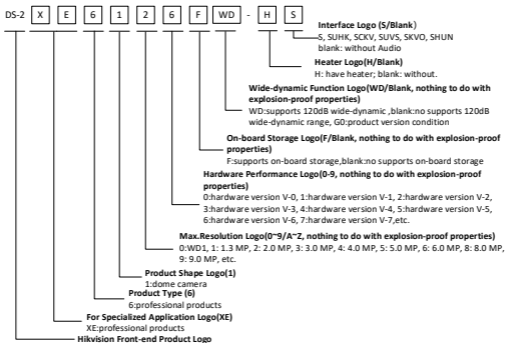


Figure 1-1 Model Explanation



## 2 Appearance Description

---

### 2.1 Overview

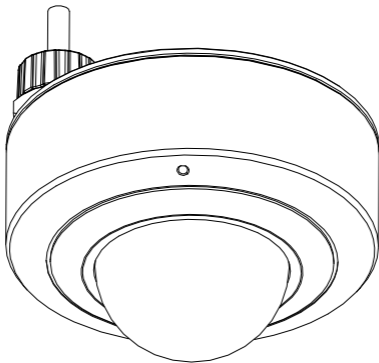


Figure 2-1 Explosion-Proof Network Dome Camera Overview



## 2.2 Cable Description

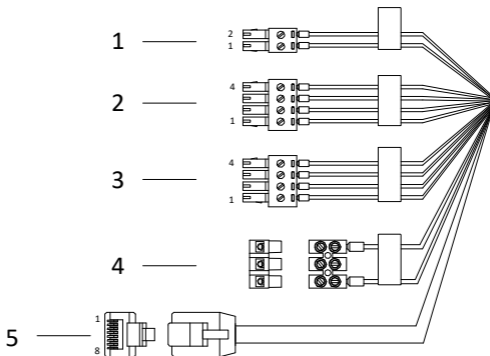


Figure 2-2 Overview of Cables

Table 2-1 Description of Cables

No.	Description	No.	Description
1	RS-485	4	Power cord (9 to 16 VDC)
2	Alarm input and output	5	RJ45 Ethernet interface (also supports PoE)
3	Audio input and output		



## 3 Installation

---

### *Before you start:*

- Make sure the device in the package is in good condition and all the assembly parts are included.
- The standard power supply is 9 to 16 VDC. Please make sure your power supply matches with your camera.
- Make sure all the related equipment is power-off during the installation.
- Check the specification of the products for the installation environment.
- Make sure that the wall is strong enough to withstand four times the weight of the camera and the bracket.

For the camera that supports IR, you are required to pay attention to the following precautions to prevent IR reflection:

- Dust or grease on the dome cover will cause IR reflection. Please do not remove the dome cover film until the installation is finished. If there is dust or grease on the dome cover, clean the dome cover with clean soft cloth and isopropyl alcohol.
- Make sure that there is no reflective surface too close to the camera lens. The IR light from the camera may reflect back into the lens causing reflection.
- The foam ring around the lens must be seated flush against the inner surface of the bubble to isolate the lens from the IR LEDs. Fasten the dome cover to camera body so that the foam ring and the dome cover are attached seamlessly.



## 3.1 Wall Mounting

### *Before you start:*

There is no wall mounting bracket included in the package. You have to prepare a wall mounting bracket if you choose this mounting type. The shown bracket below is only for demonstration.

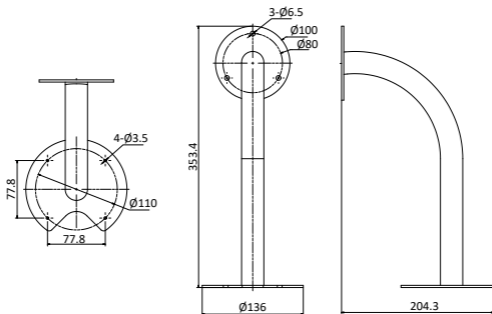


Figure 3-1 DS-1695ZJ Wall Mount

### *Steps:*

1. Fix the dome camera to wall mount with four screws (SC-PSFM3 × 8-SUS).

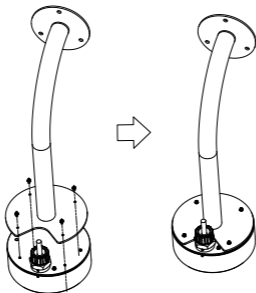


Figure 3-2 Fix Camera to Wall Mount

2. Mark the 3 screw holes on desired mounting surface according to the wall mount.
3. Drill screws holes ( $\varnothing 10.5$  mm, 0.413 inch) for expansion bolts.
4. Secure the wall mount to wall.

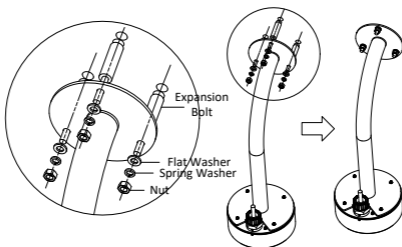


Figure 3-3 Secure Wall Mount



## 3.2 Pendant Mounting

### *Before you start:*

There is no pendant mounting bracket included in the package. You have to prepare a pendant mounting bracket if you choose this mounting type. The shown bracket below is only for demonstration.

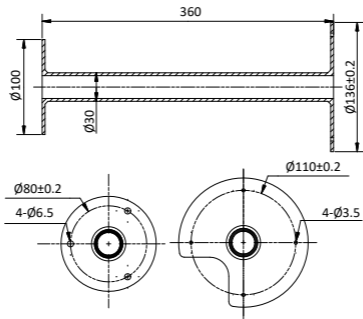


Figure 3-4 DS-1694ZJ Pendant Mount

### *Steps:*

1. Fix the dome camera to pendant mount with four screws (SC-PSFM3 × 8-SUS).

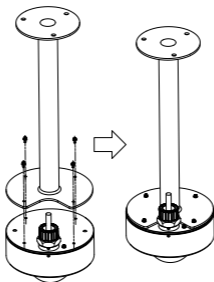


Figure 3-5 Fix Camera to Pendant Mount

2. Mark the 3 screw holes on desired mounting surface according to the pendant mount.
3. Drill screws holes ( $\varnothing 10.5$  mm, 0.413 inch) for expansion bolts.
4. Secure the pendant mount to ceiling.

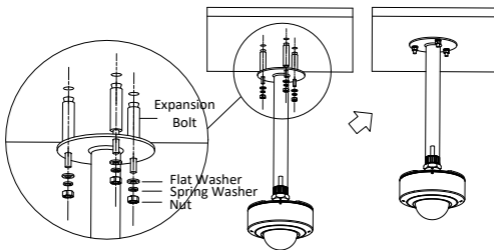


Figure 3-6 Secure Pendant Mount



## 4 Activate and Access Network Camera

---

Scan the QR code to get *Activate and Access Network Camera*. Note that mobile data charges may apply if Wi-Fi is unavailable.





See Far, Go Further