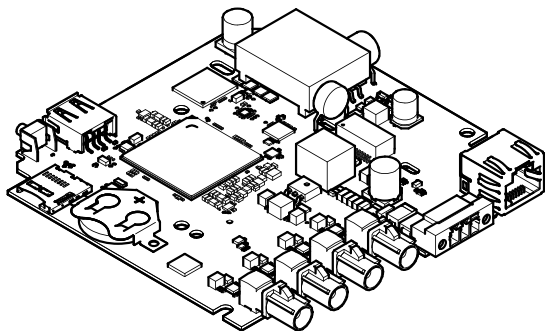


AXIS F9104-B Mk II Main Unit



Installation guide

Read this first

Read through this installation guide carefully before you install the product. Keep the installation guide for future reference.

Legal considerations

This product includes the following licenses:

- one (1) H.264 decoder license
- one (1) H.265 decoder license

To purchase further licenses, contact your reseller.

Liability

Every care has been taken in the preparation of this document. Please inform your local Axis office of any inaccuracies or omissions. Axis Communications AB cannot be held responsible for any technical or typographical errors and reserves the right to make changes to the product and manuals without prior notice. Axis Communications AB makes no warranty of any kind with regard to the material contained within this document, including, but not limited to, the implied warranties of merchantability and fitness for a particular purpose. Axis Communications AB shall not be liable nor responsible for incidental or consequential damages in connection with the furnishing, performance or use of this material. This product is only to be used for its intended purpose.

Intellectual property rights

Axis AB has intellectual property rights relating to technology embodied in the product described in this document. In particular, and without limitation, these intellectual property rights may include one or more of the patents listed at axis.com/patent and one or more additional patents or pending patent applications in the US and other countries.

This product contains licensed third-party software. See the third-party license information in the product's user interface for more information.

This product contains source code copyright Apple Computer, Inc., under the terms of Apple Public Source License 2.0 (see opensource.apple.com/apsl). The source code is available from developer.apple.com/bonjour/.

Equipment modifications

This equipment must be installed and used in strict accordance with the instructions given in the user documentation. This equipment contains no user-serviceable

components. Unauthorized equipment changes or modifications will invalidate all applicable regulatory certifications and approvals.

Trademark acknowledgements

AXIS COMMUNICATIONS, AXIS, ARTPEC and VAPIX are registered trademarks of Axis AB in various jurisdictions. All other trademarks are the property of their respective owners.

Apple, Apache, Bonjour, Ethernet, Internet Explorer, Linux, Microsoft, Mozilla, Real, SMPTE, QuickTime, UNIX, Windows, and WWW are registered trademarks of the respective holders. Java and all Java-based trademarks and logos are trademarks or registered trademarks of Oracle and/or its affiliates. The UPnP Word Mark and UPnP Logo are trademarks of Open Connectivity Foundation, Inc. in the United States or other countries.



microSD, microSDHC, and microSDXC Logos are trademarks of SD-3C LLC. microSD, microSDHC, microSDXC are trademarks or registered trademarks of SD-3C, LLC in the United States, other countries or both.

Disposal and recycling

When this product has reached the end of its useful life, dispose of it according to local laws and regulations. For information about your nearest designated collection point, contact your local authority responsible for waste disposal. In accordance with local legislation, penalties may be applicable for incorrect disposal of this waste.

Europe



This symbol means that the product shall not be disposed of together with household or commercial waste. Directive 2012/19/EU on waste electrical and electronic equipment (WEEE) is applicable in the European Union member states. To prevent potential harm to human health and the environment, the product must be disposed of in an approved and environmentally safe recycling process. For information about your nearest designated collection point, contact your local authority responsible for waste disposal. Businesses should contact the product supplier for information about how to dispose of this product correctly.

This product complies with the requirements of Directive 2011/65/EU and 2015/863 on the restriction of the use of certain hazardous substances in electrical and electronic equipment (RoHS).

China



This product complies with the requirements of SJ/T 11364-2014, Marking for the restriction of hazardous substances in electrical and electronic products.

Contact information

Axis Communications AB
Gränden 1
223 69 Lund
Sweden

Tel: +46 46 272 18 00

axis.com

Warranty information

For information about Axis' product warranty and thereto related information, go to axis.com/warranty.

Support

Should you require any technical assistance, please contact your Axis reseller. If your questions cannot be answered immediately, your reseller will forward your queries through the appropriate channels to ensure a rapid response. If you are connected to the Internet, you can:

- download user documentation and software updates
- find answers to resolved problems in the FAQ database, search by product, category, or phrase
- report problems to Axis support staff by logging in to your private support area chat with Axis support staff
- visit Axis Support at axis.com/support

Cybersecurity

Axis security notification service

Axis provides a notification service with information about vulnerability and other security related matters for Axis devices. To receive notifications, you can subscribe at axis.com/security-notification-service.

Vulnerability management

To minimize customers' risk of exposure, Axis, as a Common Vulnerability and Exposures (CVE) numbering authority (CNA), follows industry standards to manage and respond to discovered vulnerabilities in our devices, software, and services. For more information about Axis vulnerability management policy, how to report vulnerabilities, already disclosed vulnerabilities, and corresponding security advisories, see axis.com/vulnerability-management.

Secure operation of Axis devices

Axis devices with factory default settings are pre-configured with secure default protection mechanisms. We recommend using more security configuration when

有毒有害物质或元素						
部件名称	铅 (Pb)	汞 (Hg)	镉 (Cd)	六价铬 (Cr(VI))	多溴联苯 (PBB)	多溴二苯醚 (PBDE)
电气 实装 部分	X	0	0	0	0	0

0: 表示该有毒有害物质在该部件均质材料中的含量均在GB/T 26572标准规定的限量要求以下。
X: 表示该有毒有害物质至少在该部件的某一均质材料中的含量超出GB/T 26572标准规定的限量要求。

installing the device. To find out more about Axis hardening guides and other cyber security related documentation, go to axis.com/support/cybersecurity/resources.

Learn more!

Visit Axis learning center axis.com/learning for useful trainings, webinars, tutorials and guides.

EN IMPORTANT INFORMATION

This product must be integrated into a final product or solution and is not intended for stand-alone use. Consequently, this product must be properly integrated into a suitable casing before it is made available to the end user. The entity or person who integrates this product into a final product or solution is also responsible for ensuring that the final product fulfills safety, EMC and other regulatory standards required by law and that the final product is certified accordingly.

FR INFORMATIONS IMPORTANTES

Ce produit doit être intégré dans un produit ou une solution final(e) et n'est pas destiné à une utilisation autonome. Par conséquent, ce produit doit être correctement intégré dans un boîtier approprié avant de le mettre à la disposition de l'utilisateur final. L'entité ou la personne qui intègre ce produit dans un produit ou une solution final(e) a également la responsabilité de s'assurer que le produit final respecte les normes relatives à la sécurité, aux CEM et d'autres normes réglementaires exigées par la loi et que le produit final est certifié en conséquence.

DE WICHTIGE INFORMATIONEN

Dieses Produkt muss in ein Endprodukt bzw. eine übergeordnete Lösung integriert werden. Es ist nicht als eigenständiges Produkt vorgesehen und muss daher sachgerecht in ein geeignetes Gehäuse eingebaut werden, bevor das Produkt dem Endkunden zur Verfügung gestellt wird. Die juristische oder natürliche Person, die die Integration des Produkts in ein Endprodukt bzw. eine übergeordnete Lösung vornimmt, muss außerdem sicherstellen, dass das Endprodukt die geltenden Richtlinien bezüglich Sicherheit und elektromagnetischer Verträglichkeit sowie weitere gesetzliche Vorschriften erfüllt, und dafür sorgen, dass das Endprodukt die entsprechenden Zertifizierungen erhält.

IT INFORMAZIONI IMPORTANTI

Questo dispositivo deve essere integrato in un dispositivo o una soluzione finale e non è disponibile per l'uso autonomo. Di conseguenza, questo dispositivo deve essere correttamente integrato in un alloggiamento adatto prima di essere reso disponibile per l'utente finale. L'entità o la persona che integra questo dispositivo in un dispositivo o una soluzione finale è inoltre responsabile di garantire che il dispositivo finale soddisfi standard di sicurezza, EMC e altri standard normativi richiesti dalla legge e che il dispositivo finale sia pertanto certificato.

ES

INFORMACIÓN IMPORTANTE

Este producto debe integrarse en un producto o solución final y no ha sido diseñado para ser utilizado de forma independiente. Por lo tanto, este producto debe integrarse debidamente en la carcasa adecuada antes de ponerlo a disposición del usuario final. La entidad o persona encargada de integrar este producto en un producto o solución final también será responsable de asegurarse de que el producto final cumple las normas de seguridad, EMC y otras normativas que la ley exija y que el producto final cuenta con las certificaciones pertinentes.

JA

重要情報

この製品は、最終製品またはソリューションに統合されている必要があり、単独での使用を目的としたものではありません。したがって、エンドユーザーに提供する前に、この製品は適切なケーシングに適切に統合されている必要があります。本製品を最終製品またはソリューションへ統合する事業者または個人は、また、最終製品が法律で要求される、安全性、EMCその他の規制基準を満たしていること、および最終製品がそれに応じて認証されていることを確認する責任も負います。

PT

INFORMAÇÕES IMPORTANTES

Este produto deve ser integrado a um produto ou solução final e não se destina ao uso autônomo. Consequentemente, o produto

deve ser adequadamente integrado a uma caixa apropriada antes de ser disponibilizado para o usuário final. A entidade ou pessoa que integrar esse produto a um produto ou solução final também será responsável por garantir que o produto final atenda aos padrões de segurança, EMC e outros padrões regulatórios exigidos por lei e que o produto final seja certificado de acordo.

RU

ВАЖНАЯ ИНФОРМАЦИЯ

Настоящий продукт следует интегрировать с финальным продуктом или решением и он не предназначен для автономного использования. Таким образом, этот продукт следует надлежащим образом устанавливать в подходящий корпус перед его предоставлением конечному пользователю. Организация или лицо, занимающееся интеграцией этого продукта в финальный продукт или решение, также несет ответственность за то, что финальный продукт будет отвечать требованиям к безопасности, ЭМС и другим нормативным стандартам, установленным законом, в том числе за сертификацию продукта соответствующим образом.

ZH

重要信息

本产品必须集成到成品或解决方案中而不是单独使用。因此，本产品必须正确地集成到合适的外壳中然后才能提供给最终用户。将本产品集成到成品或解决方案的实体或个人也要负责确保成品符合安全、EMC和法律要求的其他管制标准并对成品相应的认证负责。

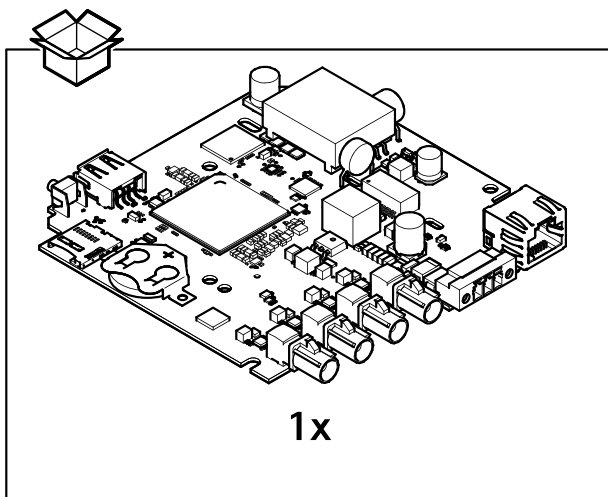
KO

중요 정보

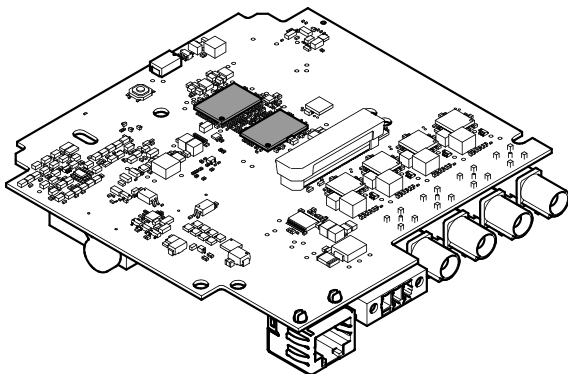
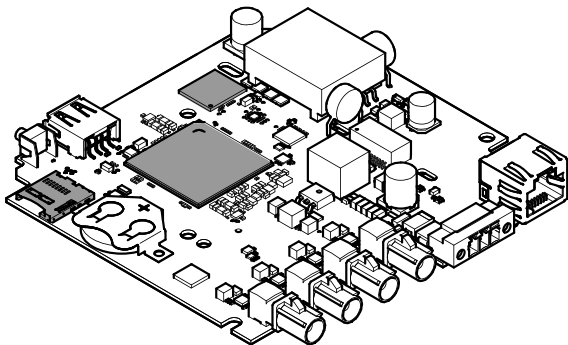
본 제품은 완제품이나 최종 솔루션에 통합되어야 하며 독립형 용도로는 사용되지 않습니다. 따라서 본 제품이 최종 사용자에게 제공되기 전에 적합한 케이스에 적절히 통합되어야 합니다. 또한 본 제품을 완제품이나 최종 솔루션에 통합하는 기업 또는 사람은 해당 완제품이 법적으로 요구되는 안전, EMC 및 기타 규

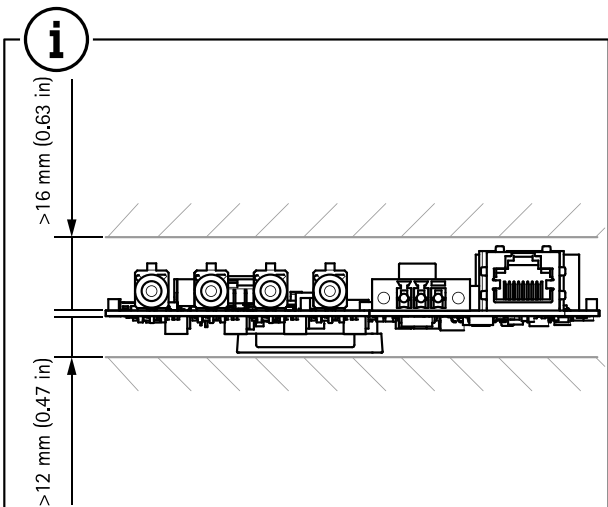
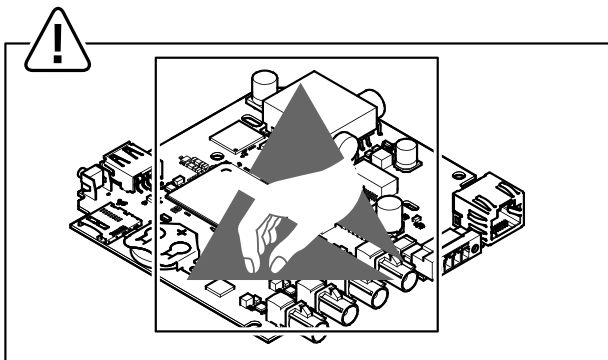
AXIS F9104-B Mk II Main Unit

제 표준을 충족하고 그에 따라 완제품이 인증되도록
보장할 책임이 있습니다.

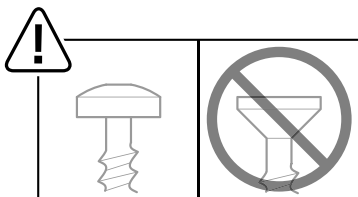
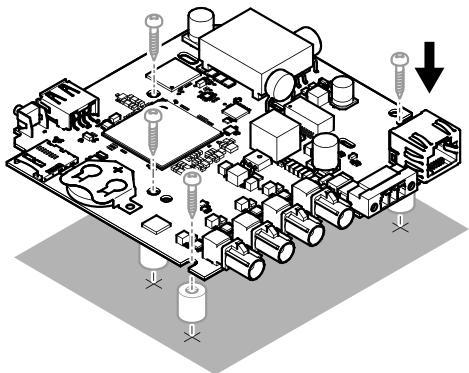


AXIS F9104-B Mk II Main Unit

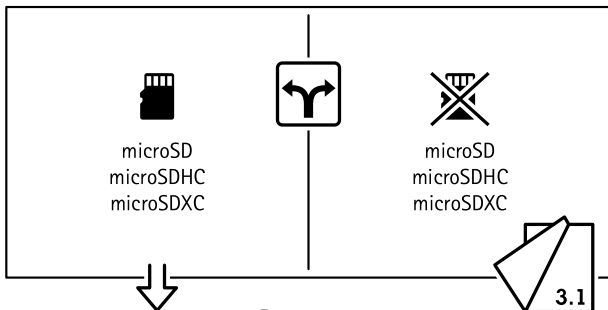




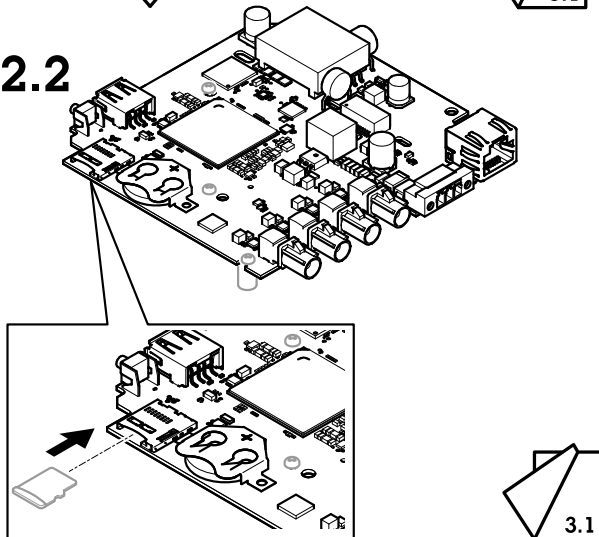
1.1



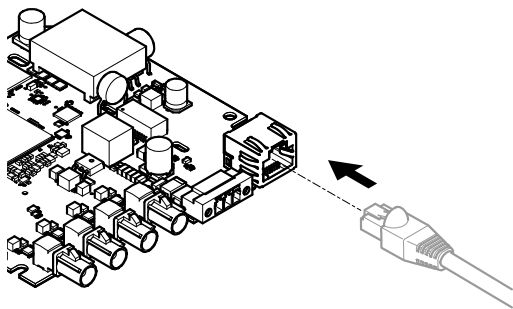
2.1



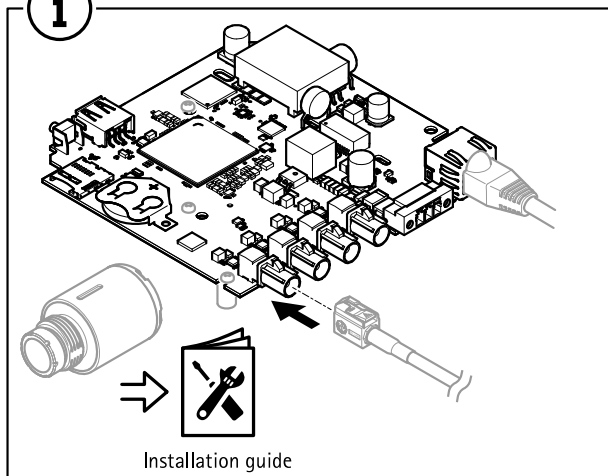
2.2



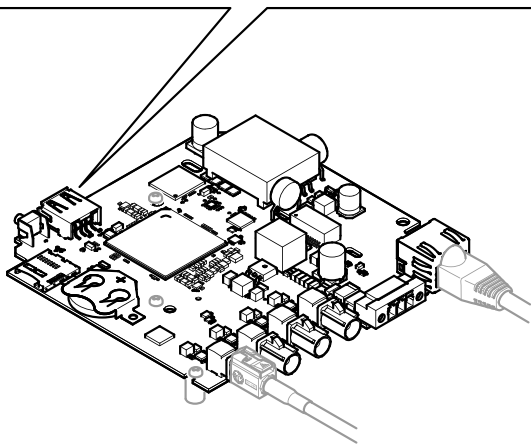
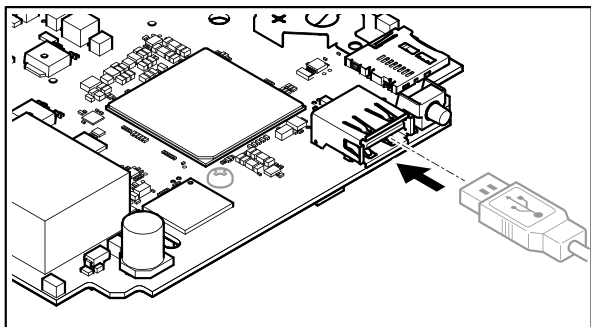
3.1



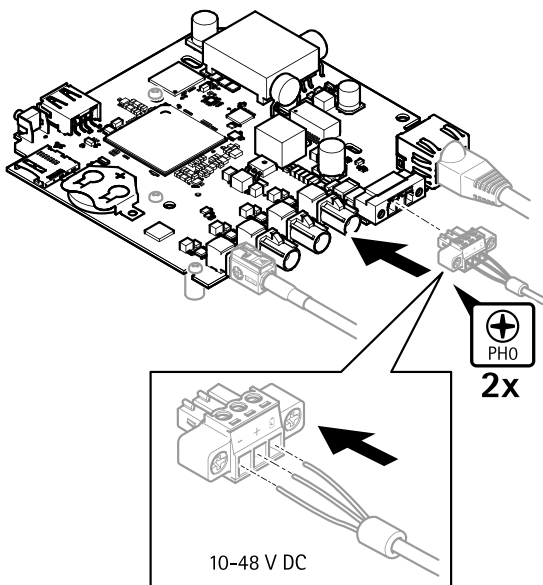
i



3.2



3.3





Installation guide

AXIS F9104-B Mk II Main Unit

© 2024 Axis Communications AB

Ver. M1.10

Date: November 2024

Part no. 2983424