

Package Contents / Packungsinhalt kontrollieren / Inhoud van de verpakking

検査包装内容物 / 検査包装内容 / パッケージ内容の確認

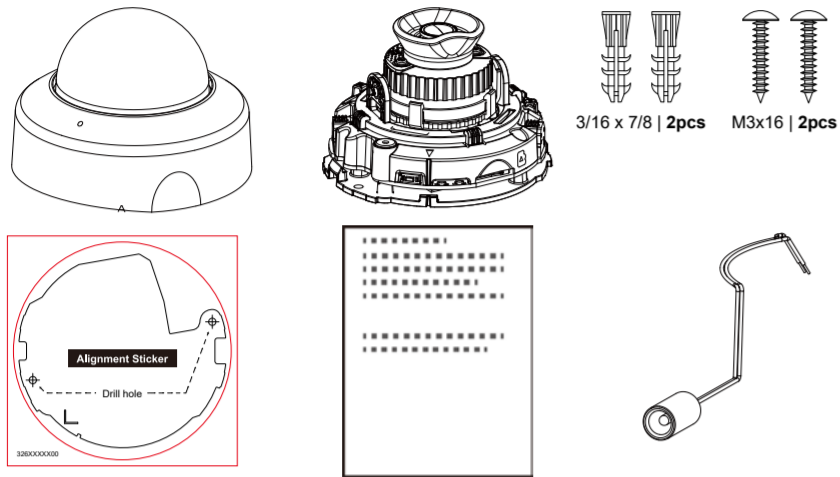
Vérifier le contenu de l'emballage / Verifi que o conteúdo da embalagem / Compruebe el contenido del embalaje

Sprawdź zawartość pakietu / Проверка комплекта поставки / Obsah balení

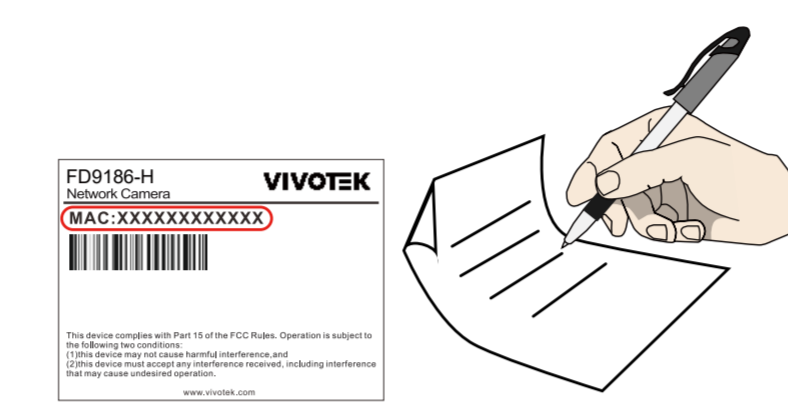
Verifi care il contenuto della confezione / Ambalajın İçindekileri Kontrol Edin / Paketinhåll / Kassens indhold / Isi Kemasan مكونات الحزمة

Hardware Installation / Hardwareinstallation / Hardware installeren

1

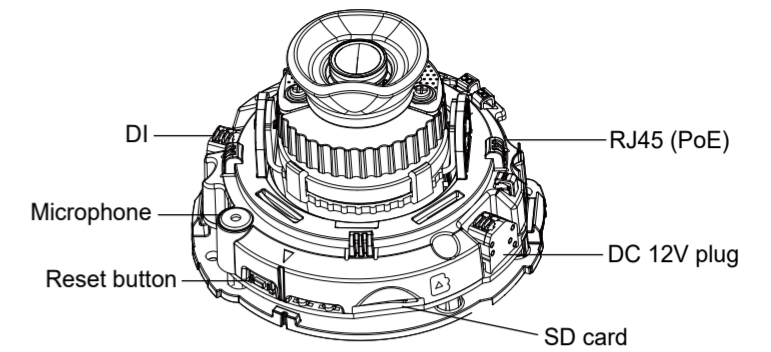


2



3

Components

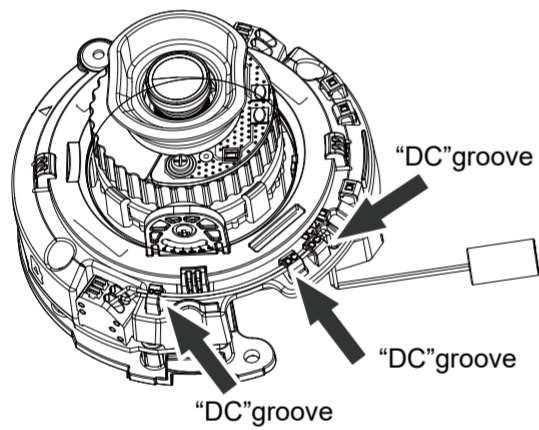


4

Hardware Installation

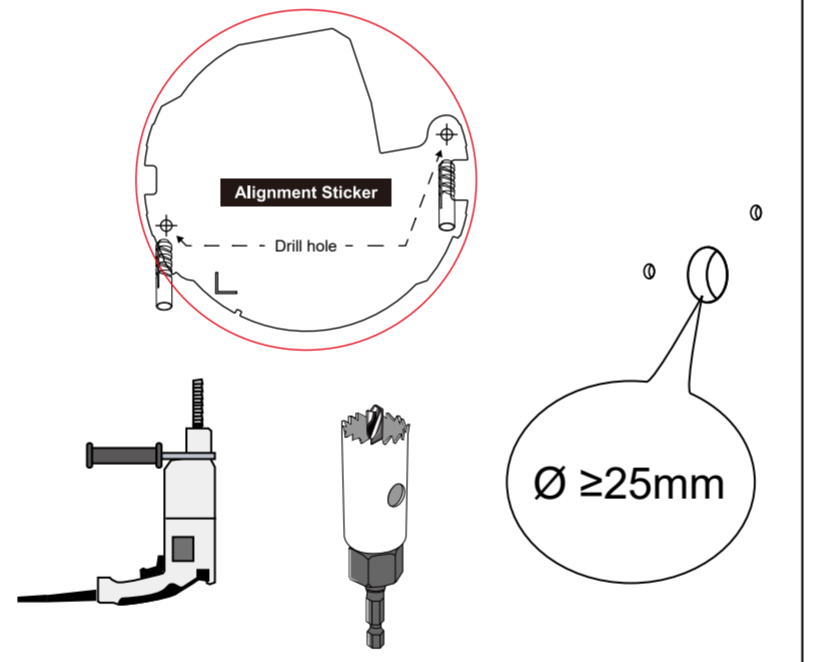
If you need to install the DC 12V cable:

Wire the cable along the 3 "DC" groove.



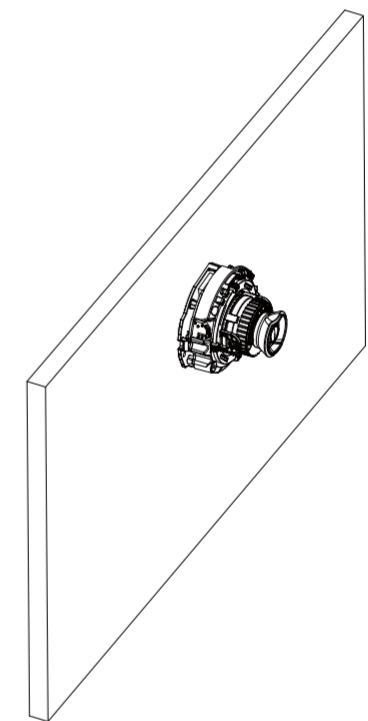
5

Place the alignment sticker on the wall and drill two holes. So, you can insert two screws later.



6

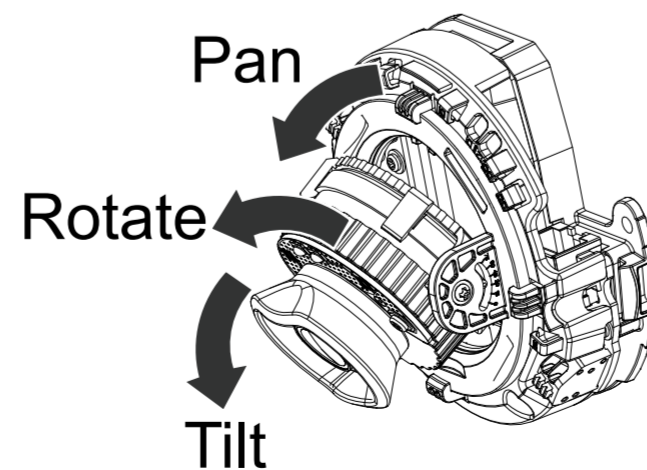
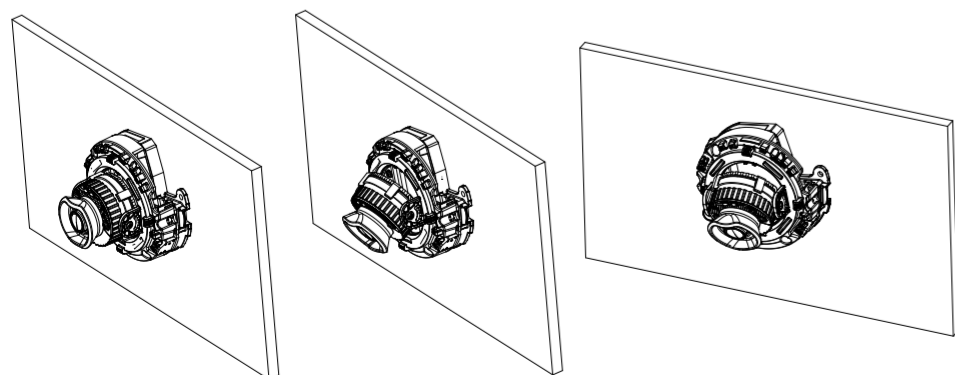
Hold the camera and fasten the two screws to make sure the camera attaches to the wall firmly.



7

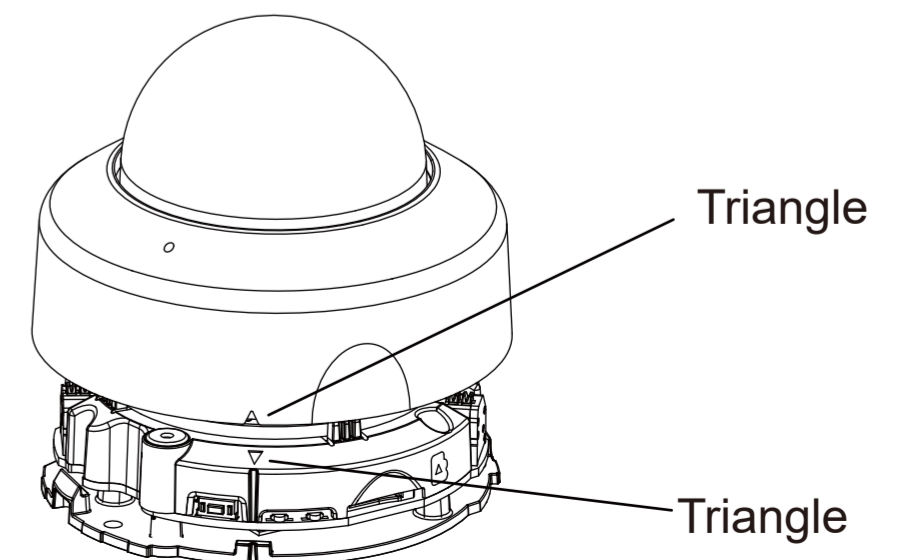
Pan, rotate, and tilt the lens as needed to the viewing angle you want.

Pan: 350°
Rotate: 200°
Tilt: 75°

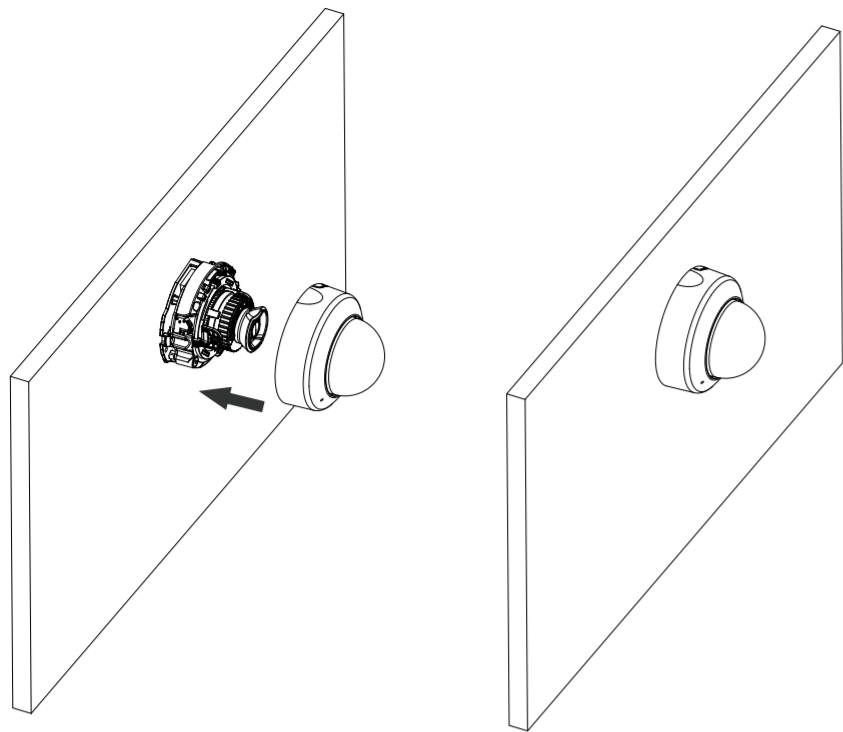


8

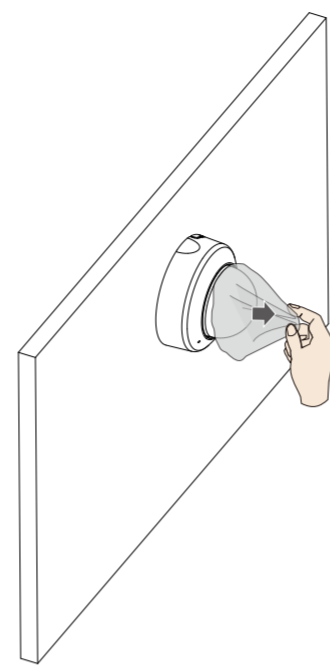
Align the triangle sign on the cover and the triangle sign on the camera, then push the cover to make sure the cover firmly attaches to the camera.



9



10



11

**For FD9186-H
steps 11 ~ 12**



1. After connecting the network camera to the PoE network switch, run the VIVOTEK Shepherd app to search for the IP location of the network camera. Then, enter the camera's webpage.
2. Please download the Shepherd program from the VIVOTEK website <https://www.vivotek.com/Shepherd>.

1. 請於 VIVOTEK 網頁 <https://www.vivotek.com/Shepherd> 下載 Shepherd 程式。
2. 將網路攝影機連接上 PoE 網路交換機後，執行晶睿通訊 Shepherd 程式搜尋該網路攝影機的 IP 位置，並進入該攝影機的網頁。

12 **FD9186-H**



FD9186-H

Software operation

1. When logging into the camera's webpage for the first time, you need to set a password according to the password rules.
2. After logging in to the camera web page, you can see the camera page.

軟體操作

1. 首次登入攝影機的網頁，需要依照密碼規範設定密碼。
2. 登入攝影機網頁後，即可看到攝影機頁面。

Function description of the icon buttons at the bottom of the page (from left to right)

1. Play/Pause: Playback mode
2. Video streaming mode
3. Volume
4. Snapshot: Capture the current picture
5. Color mode: Switch between color and black/white
6. Fullscreen

頁面下方圖示按鈕功能說明 (由左至右)

1. 播放 / 暫停：播放模式
2. 影像串流：影像串流類別
3. 音量
4. 快照：擷取當下圖片
5. 色彩模式：切換彩色 / 黑白
6. 全螢幕



11 Scan the QR code below to download the Vortex app.

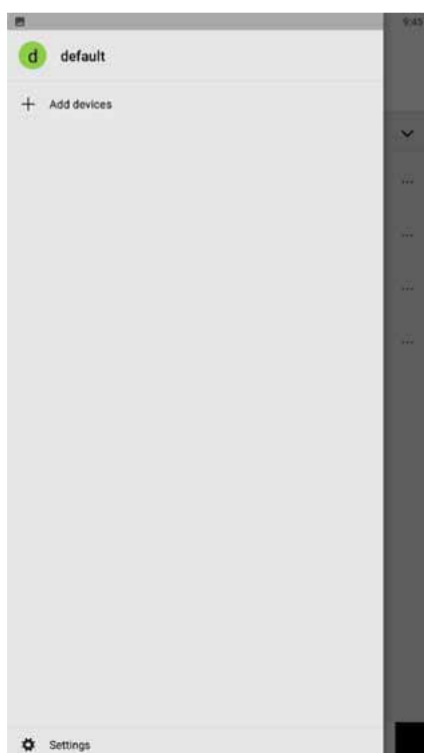
**For FD816-H
steps 11 ~ 14**

iOS QR code

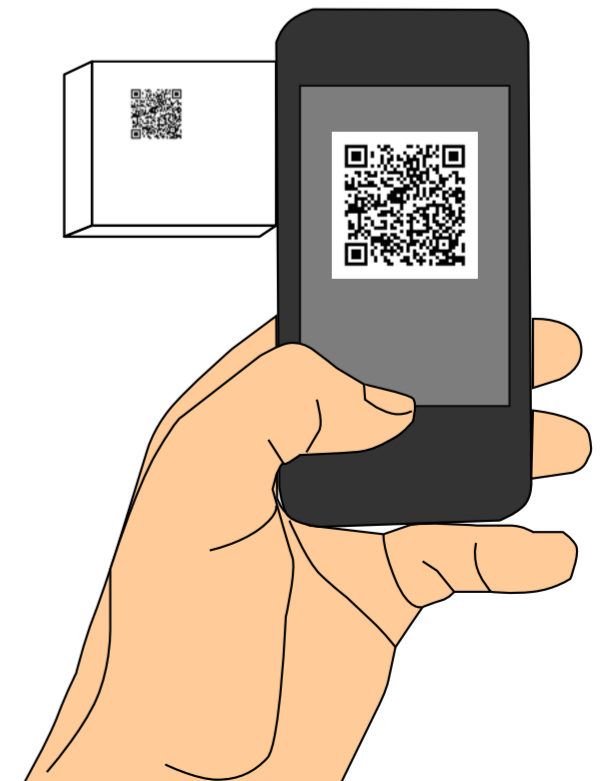
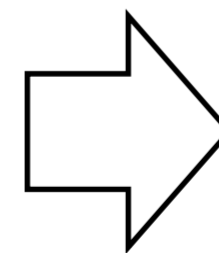
Android QR code



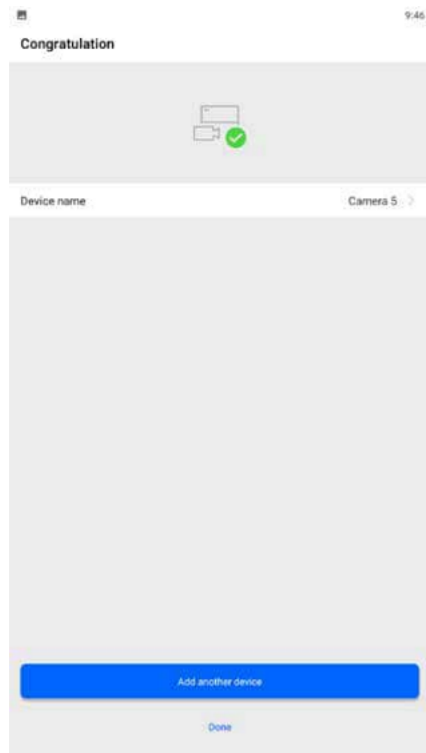
12 **FD816-H**
Add your camera.



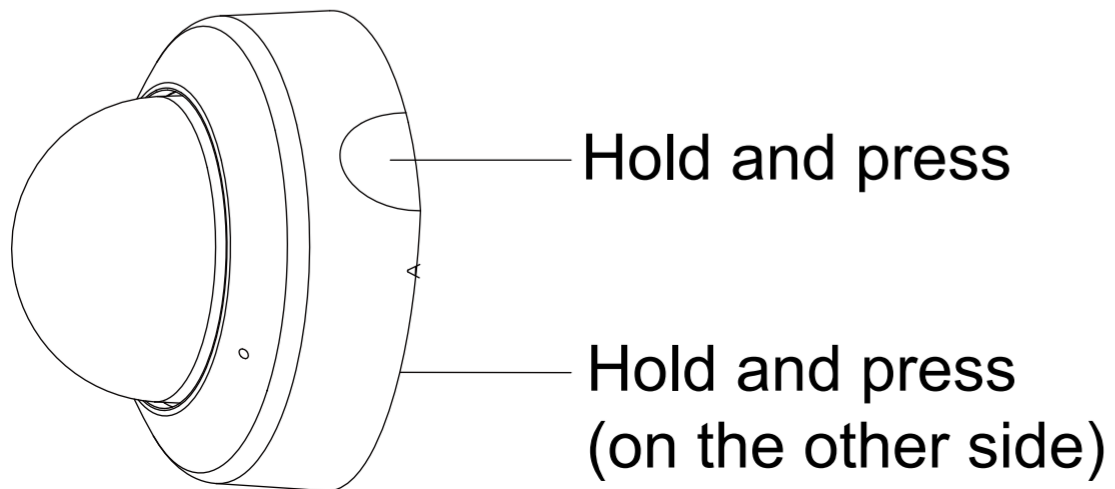
13 **FD816-H**
Scan the QR code on the box or on the camera.



14 **FD816-H**
Scan success.



If you need to remove the cover for maintenance, use your thumb and another finger to hold the press the two areas (opposite to each other).



Please contact authorized distributors for warranty and RMA service.
Visit <https://www.vivotek.com/support/warranty> and <https://www.vivotek.com/support/rma>

All specifications are subject to change without notice.
Copyright © 2024 VIVOTEK INC. All rights reserved.

VIVOTEK INC.
6F, No.192, Lien-Cheng Rd., Chung-Ho, New Taipei City, 235, Taiwan, R.O.C.
[T: +886-2-82451282] [F: +886-2-82455532] [E: sales@vivotek.com]

VIVOTEK Europe
Zandsteen 15, 2132 MZ Hoofddorp Delta Electronics
T: +31 (0)20 800 3817 | E: saleseurope@vivotek.com

VIVOTEK USA, INC.
2050 Ringwood Avenue, San Jose, CA 95131
[T: 408-773-8686] [F: 408-773-8298] [E: salesusa@vivotek.com]