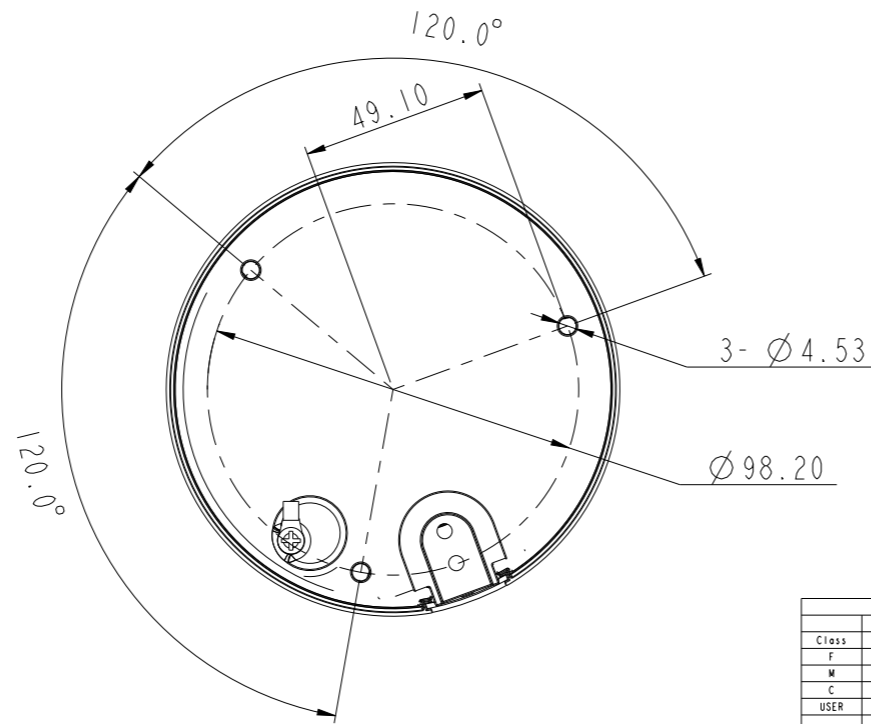
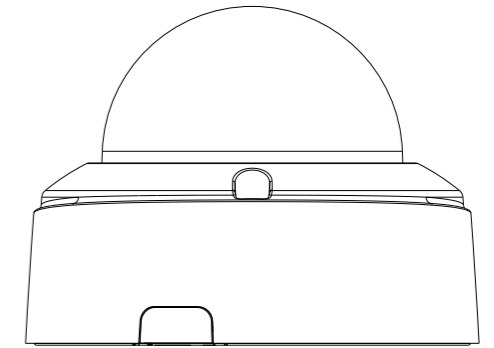
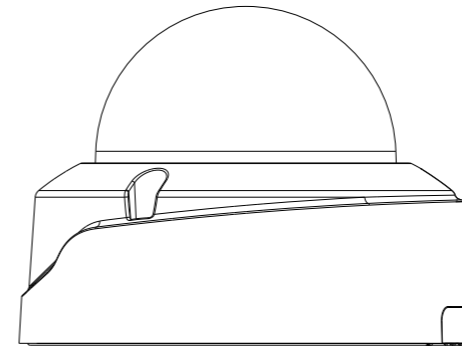
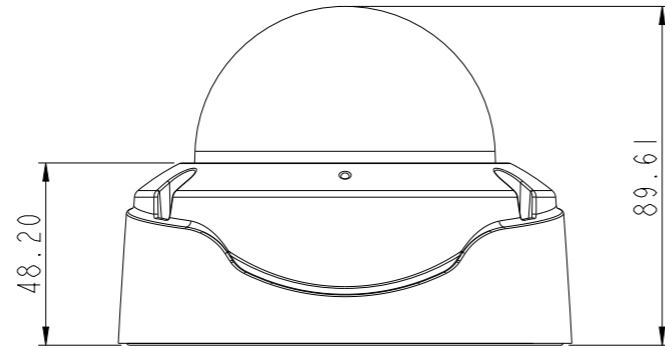
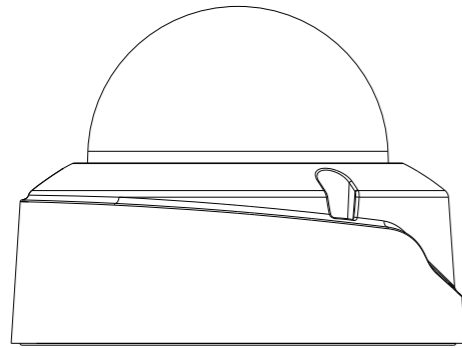
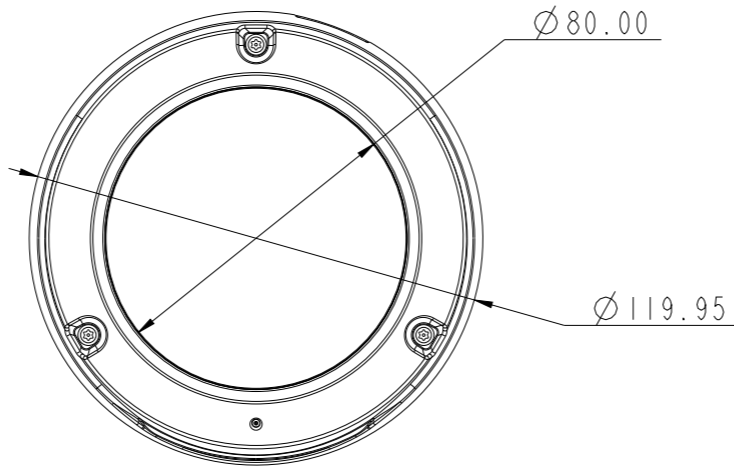




REVISIONS

REV	DESCRIPTION	POSITION	ENGINEER	DATE
00	New Edition			2024/07/18



Default tolerance: grade F						
Class	Dimension tolerance range(mm)					
	0.5-3	3-6	6-30	30-120	120-400	400-1000
F	±0.05	±0.05	±0.1	±0.15	±0.2	±0.3
M	±0.1	±0.1	±0.2	±0.3	±0.5	±0.8
C	±0.2	±0.3	±0.5	±0.8	±1.2	±2
USER						

Angle tolerance range(deg) (Base on the length of short dimension)					
Class	Dimension tolerance range(mm)				
	≤10	10-50	50-120	120-400	>400
F	±1°	±0°30'	±0°20'	±0°10'	±0°5'
M	±1°	±1°	±0°30'	±0°15'	±0°10'
C	±1°30'	±1°	±0°30'	±0°15'	±0°10'
USER					

VIVOTEK
A DELTA GROUP COMPANY

THESE DRAWINGS AND SPECIFICATIONS ARE THE PROPERTY OF VIVOTEK, INC. AND SHALL NOT BE REPRODUCED OR USED AS THE BASIS FOR THE MANUFACTURE OR SELL OF APPARATUS OR DEVICES WITHOUT PERMISSION.

CP02-WI-014-01-7

PART NO.		TBD			
ENGR	Jeff	MODEL	FD9189-V3 & FD9199		
DRN	Jeff	DESCRIPTION	FD9189-V3 & FD9199_6view		
CHK	Kimi				
M'TL		ISSUE DATE	2024/07/18	REVISION	00
FINISH		SCALE	0.500	UNIT	mm
THIRD ANGLE PROJECTION		SIZE	A3	SHEET	1 OF 1